

GENERAL NOTES

Reinforcing bars shall conform to the requirements of ASTM A 706 Gr 60.

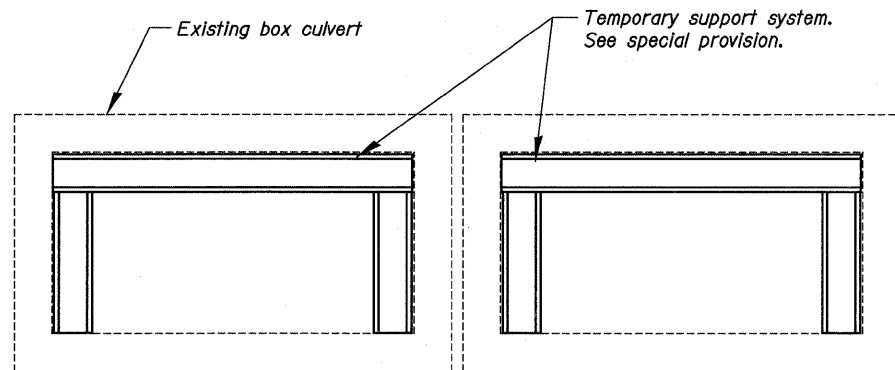
The design fill for this structure is 2 feet. The precast concrete box culvert sections shall conform to the requirements of AASHTO M259-I.

See Sheet 3 of 7 for culvert construction sequence.

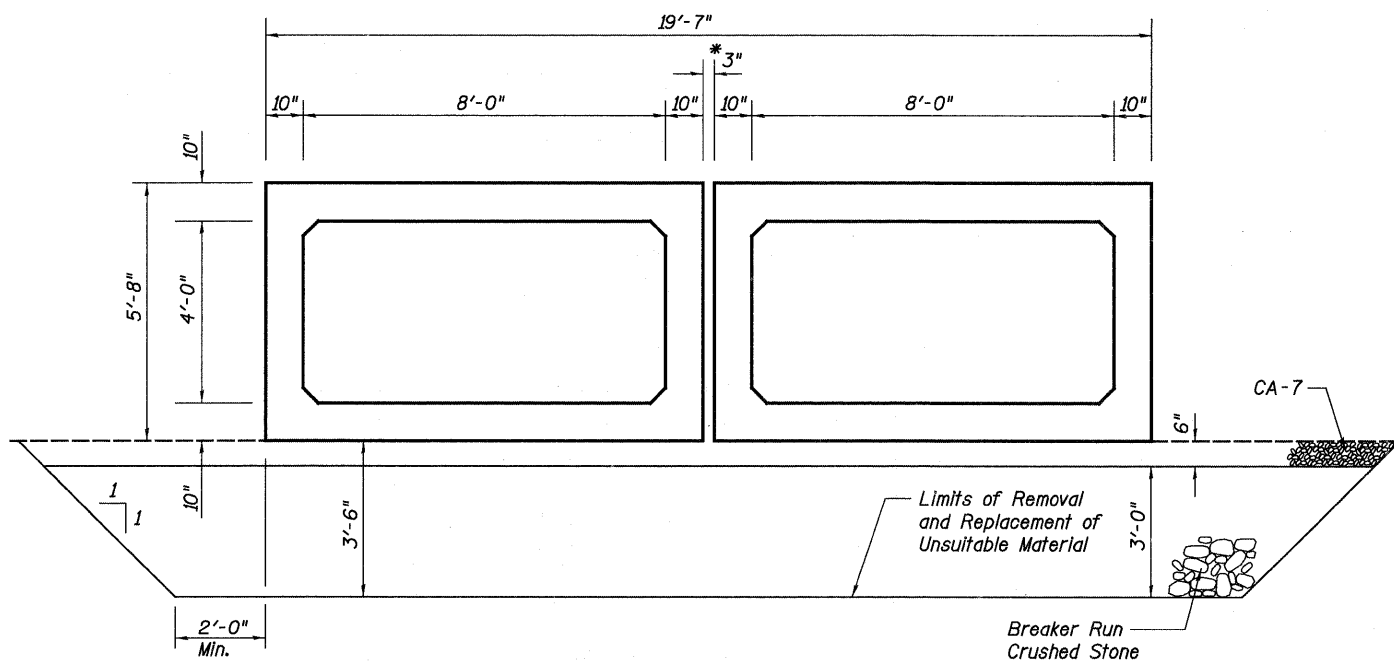
The box culvert end section shall be built in the field and a precast option is not allowed except the cutoff wall may be precast. If the contractor elects to use a precast cutoff wall, shop drawings and a proposed construction sequence shall be submitted to the engineer for approval.

Areas of the precast box culvert in contact with cast-in-place concrete shall be sandblasted, cleaned and wetted prior to placing concrete in the field according to Article 503.09(b).

The ends of the precast box culvert adjacent to the end section shall be formed without the male and female shapes specified in Article 8.1 of AASHTO M259-I.



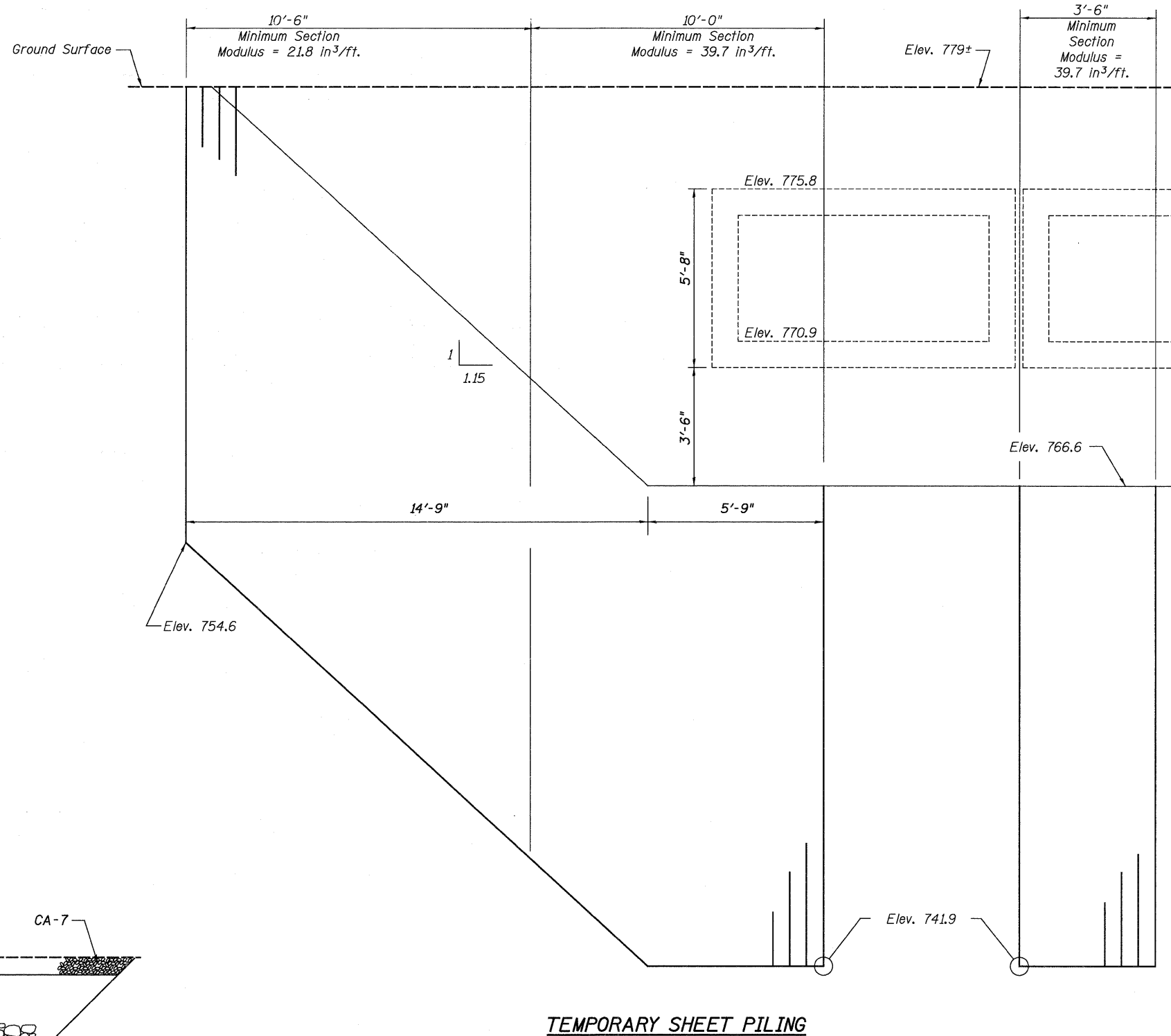
SECTION THRU EXISTING CULVERT



SECTION THRU PRECAST BARREL

2 - Cell Precast Box Culvert

* Nominal space filled with class SI concrete per article 540.06



TEMPORARY SHEET PILING

If the Contractor chooses to alter the temporary cantilevered sheet piling design requirements shown on the plans, a design submittal including plan details and calculations will be required for review and acceptance by the Engineer.



USER NAME =	DESIGNED - JTT	REVISED -
PLOT SCALE =	CHECKED - VAC	REVISED -
PLOT DATE =	DRAWN - JBB	REVISED -
	CHECKED - JTT	REVISED -

**STATE OF ILLINOIS
DEPARTMENT OF TRANSPORTATION**

**GENERAL DATA
STRUCTURE NO. 101-1095**

BOX CULVERT SHEET NO. 2 OF 7 SHEETS

F.A.I. RTE. 90	SECTION (X2-1)R	COUNTY WINNEBAGO	TOTAL SHEETS 510	SHEET NO. 395
				CONTRACT NO. 64C29
ILLINOIS FED. AID PROJECT				