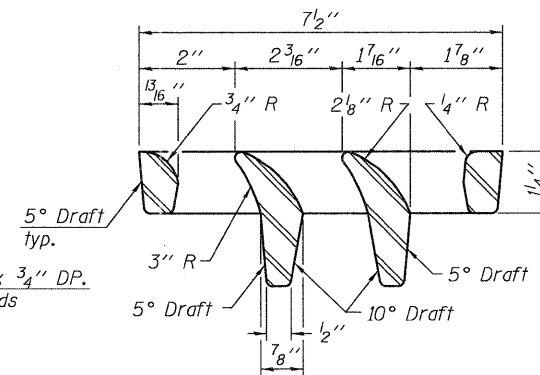
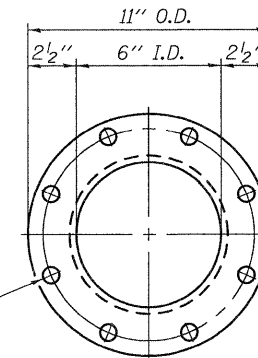


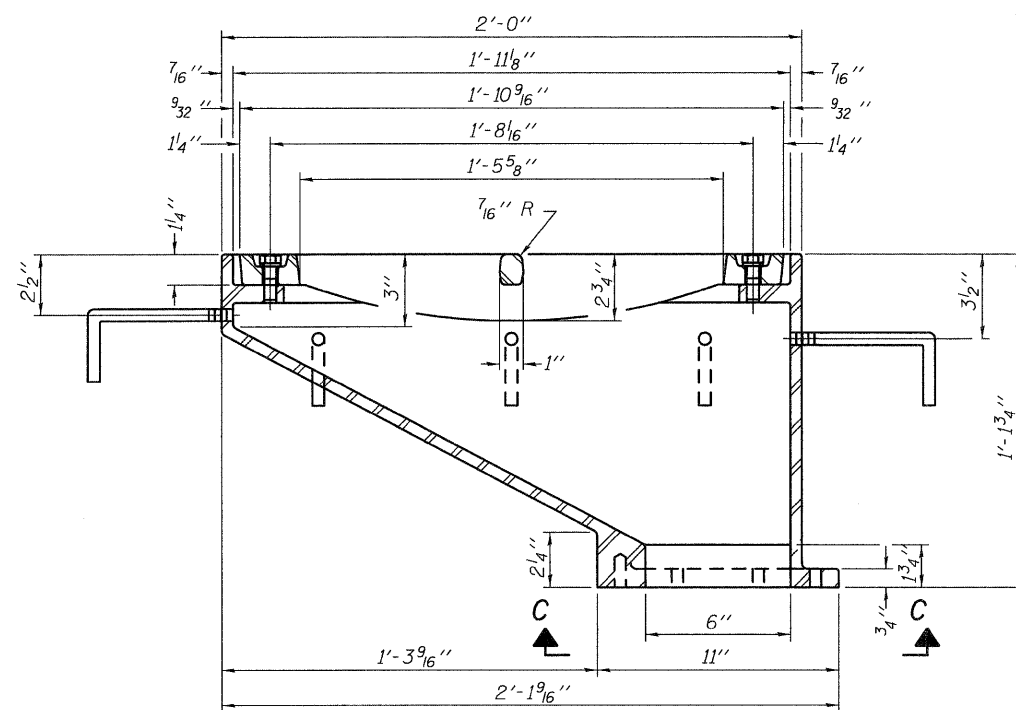
PLAN



VANE GRATE DETAIL

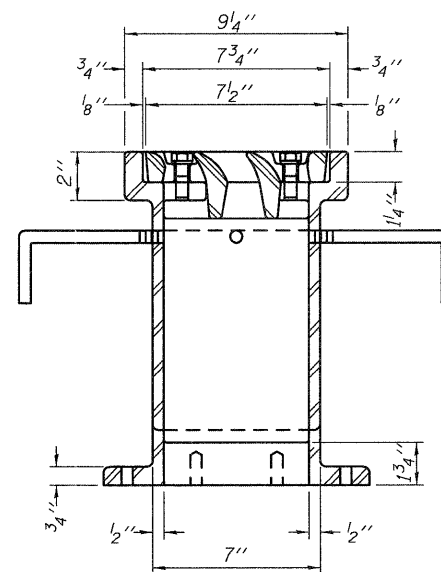


VIEW C-C

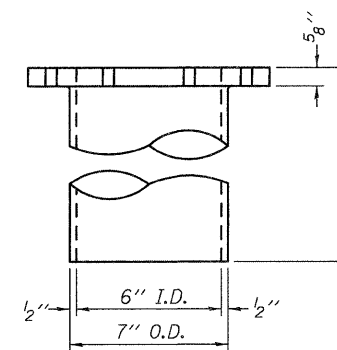


SECTION A-A

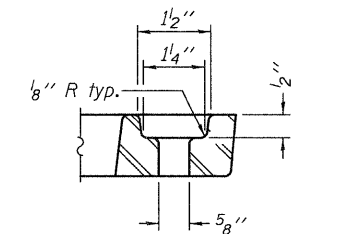
See sheet of for scupper location relative to parapet.



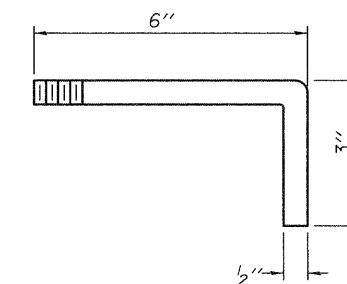
SECTION B-B



DOWNSPOUT



BOLT HOLE DETAIL



ANCHOR STUD DETAIL

Drill and tap 8 holes for 1/2"-13 bolts on a 9 1/2" φ bolt circle. (2 blind holes are 1 1/4" deep, 6 thru holes)

Notes:

All cast iron parts shall be gray iron conforming to the requirements of AASHTO M 105, Class 35B.

Bolts, anchor studs, washers and nuts shall conform to the requirements of ASTM A 307 and shall be galvanized according to AASHTO M 232.

Downspouts located on the exterior side of a painted steel fascia beam shall be painted with the finish coat specified for the exterior side of the fascia beam.

As an alternate, bolts, anchor studs, washers and nuts may be stainless steel according to Article 1006.29(d) of the Standard Specifications.

Structural steel weldments of equal sections and of the same configuration may be substituted for the cast iron scupper frame. Fillet or full penetration welds shall be used for the weldments. Details shall be submitted to the Engineer for approval. Structural steel weldments shall not be substituted for the cast iron scupper grate. Structural steel frames and downspouts shall be galvanized according to AASHTO M111.

The Contractor shall take appropriate measures to assure that Protective Coat is not applied to the scupper.

Cost of the Grate, Frame, Downspout, Anchor Studs, Bolts, Washers and Nuts including complete installation of the scupper shall be paid for at the contract unit price each for Drainage Scupper, DS-12.

Alternate fiberglass downspout conforming to ASTM D 2996 with a short-time rupture strength hoop tensile stress of 30,000 psi min. may be used in lieu of the cast iron or steel equivalent.

BILL OF MATERIAL

ITEM	UNIT	QUANTITY
Drainage Scupper, DS-12	Each	2

DS-12

7-1-10

DESIGNED - Marcus K. Christensen  
 CHECKED - Irvin J. Lopez  
 DRAWN - Kyle M. Steffen  
 CHECKED - MKC IJL

EXAMINED - *Joanne F. Jelliff*  
 ACTING ENGINEER OF STRUCTURAL SERVICES  
 PASSED - *Carl Pinner*  
 ACTING ENGINEER OF BRIDGES AND STRUCTURES

DATE - NOVEMBER 23, 2011  
 REVISED  
 REVISED

STATE OF ILLINOIS  
 DEPARTMENT OF TRANSPORTATION

DRAINAGE SCUPPER, DS-12  
 SN 081-0106  
 SHEET NO. 7 OF 14 SHEETS

F.A.I. RTE.	SECTION	COUNTY	TOTAL SHEETS	SHEET NO.
280	(81-1B)M-2	ROCK ISLAND	30	23
				CONTRACT NO. 64F22
ILLINOIS FED. AID PROJECT				