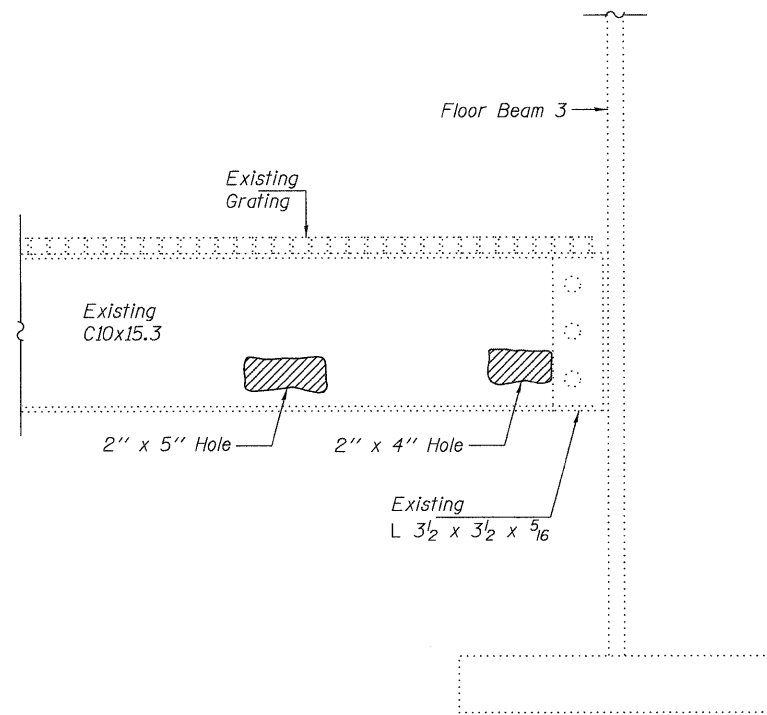
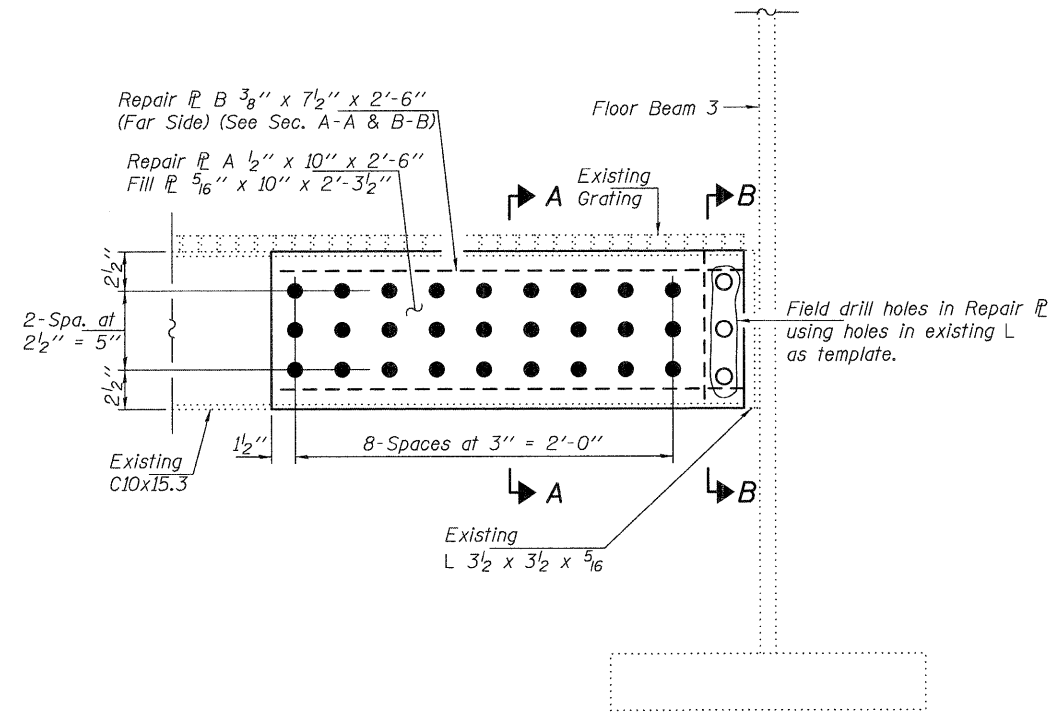


Note:  
 High strength AASHTO M164  $\frac{3}{4}$ "  $\phi$  bolts shall be used for the indicated repairs on this sheet. Holes shall be  $\frac{13}{16}$ "  $\phi$ . All work and material, including steel plate and bolts are included in the pay item "Structural Steel Repair".



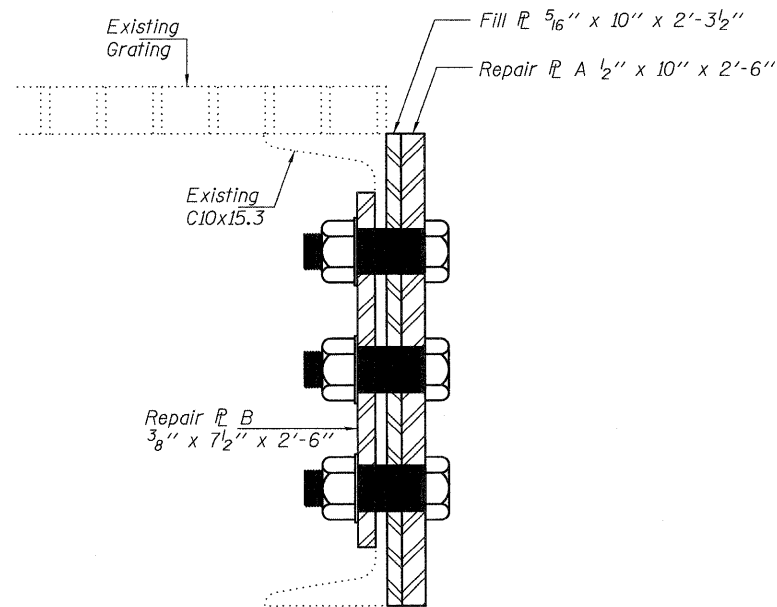
**EXISTING CONDITION OF INSPECTION WALKWAY**

(Span 14, Between Floor Beam 2 & Floor Beam 3)

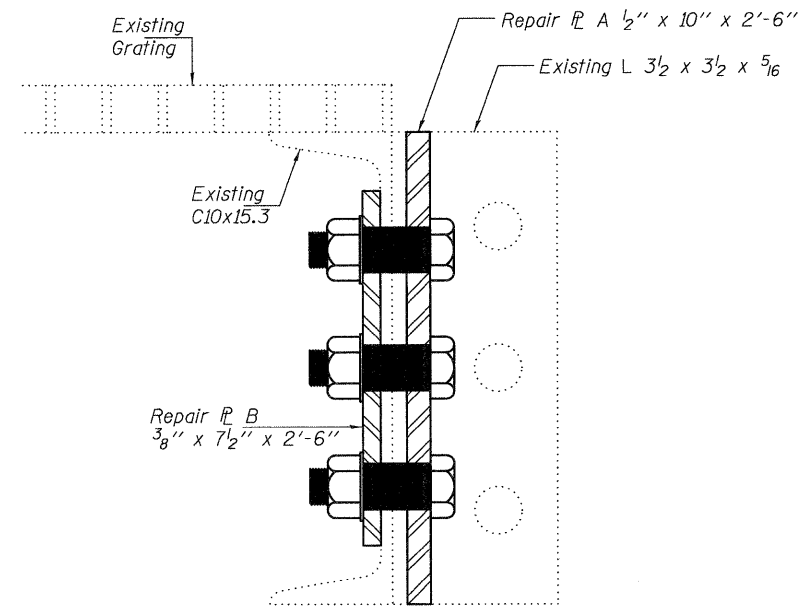


**PROPOSED REHABILITATION OF INSPECTION WALKWAY**

(Span 14, Between Floor Beam 2 & Floor Beam 3)



**SECTION A-A**



**SECTION B-B**

**BILL OF MATERIAL**

ITEM	UNIT	QUANTITY
Structural Steel Repair	Pounds	115

DESIGNED - Marcus K. Christensen	EXAMINED - <i>Jaime F. Joffe</i> ACTING ENGINEER OF STRUCTURAL SERVICES	DATE - NOVEMBER 23, 2011	<b>STATE OF ILLINOIS DEPARTMENT OF TRANSPORTATION</b>	<b>INSPECTION WALKWAY REPAIR DETAILS SN 081-0106</b>	F.A.I. RTE. 280	SECTION (81-1B)M-2	COUNTY ROCK ISLAND	TOTAL SHEETS 30	SHEET NO. 24
CHECKED - Irvin J. Lopez	PASSED - <i>Carl P. ...</i> ACTING ENGINEER OF BRIDGES AND STRUCTURES	REVISED			CONTRACT NO. 64F22				
DRAWN - Kyle M. Steffen	REVISED	SHEET NO. 8 OF 14 SHEETS							
CHECKED - MKC IJL	ILLINOIS FED. AID PROJECT								