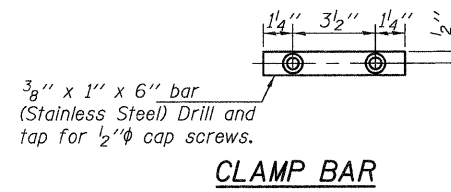
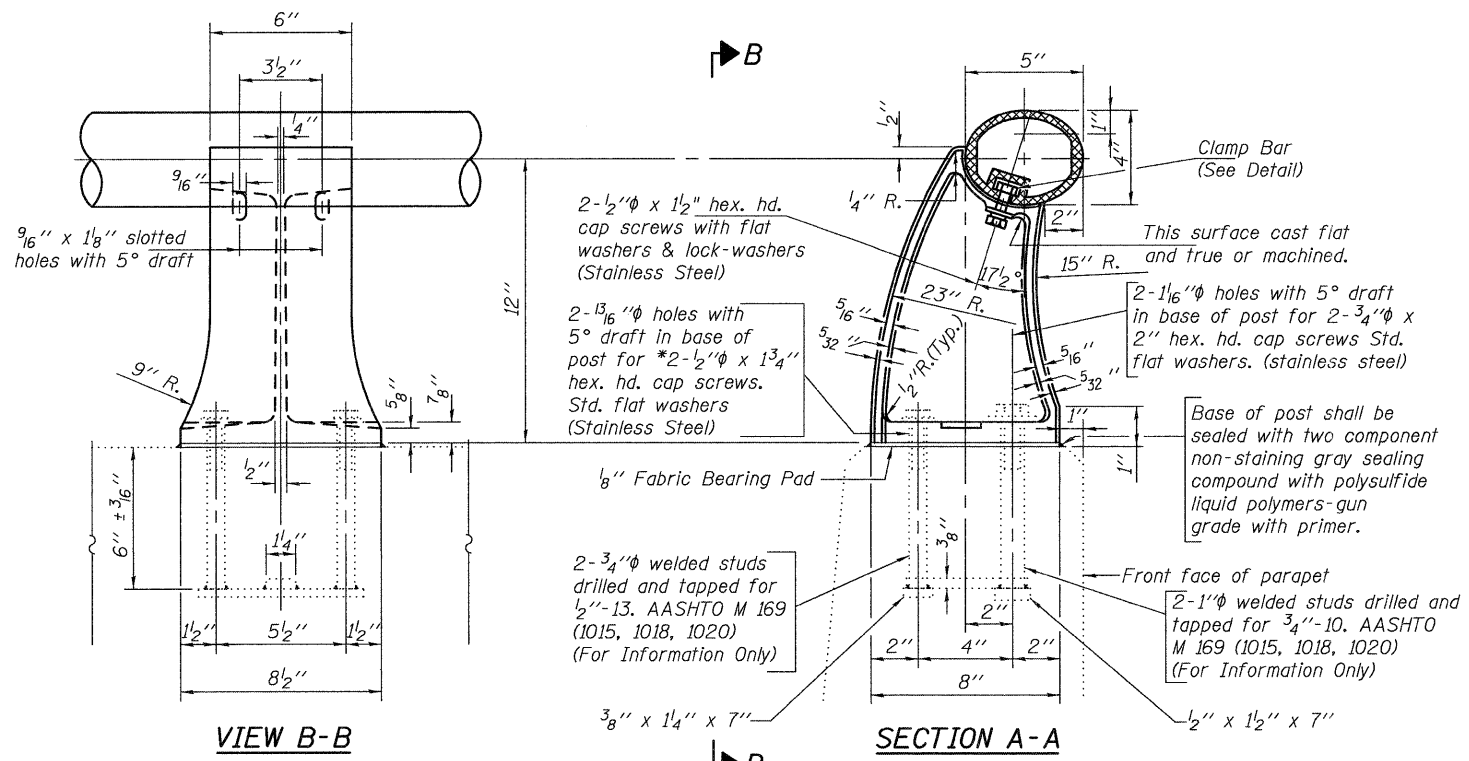


PARTIAL RAILING ELEVATION

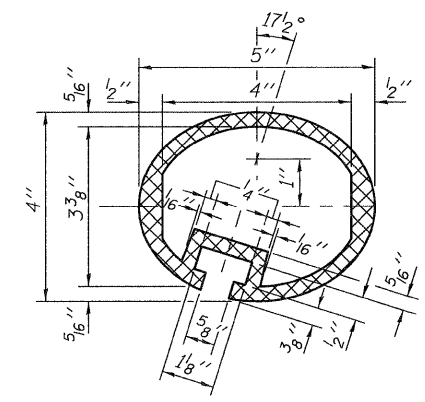
Notes:
 Remove and replace 7'-0" length of aluminum railing and damaged rail post. The existing anchor bolts shall be reused. The existing rail shall be unbolted as needed in order to install the new section of aluminum rail. All bolts that are removed in order to facilitate installation of the new aluminum rail shall be replaced with new bolts.
 All work and material necessary to remove and replace the aluminum railing and aluminum post shall be paid for at the unit cost foot for "Parapet Railing, Special".
 The damaged rail and post is located on the north side of the bridge in Span 28. It is approximately 25 feet from the East Abutment.



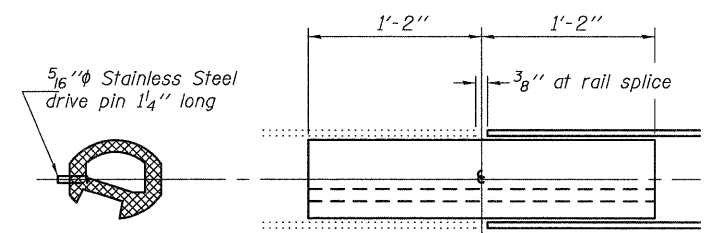
CLAMP BAR



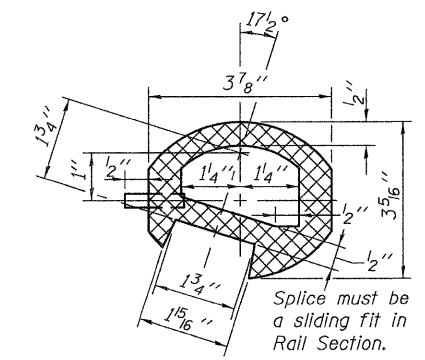
RAIL POST DETAILS



SEC. THRU ELLIPTICAL RAIL SECTION



RAIL SPLICE



SEC. THRU SPLICE

BILL OF MATERIAL

ITEM	UNIT	QUANTITY
Parapet Railing, Special	Foot	7