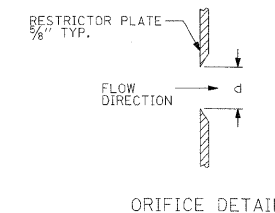
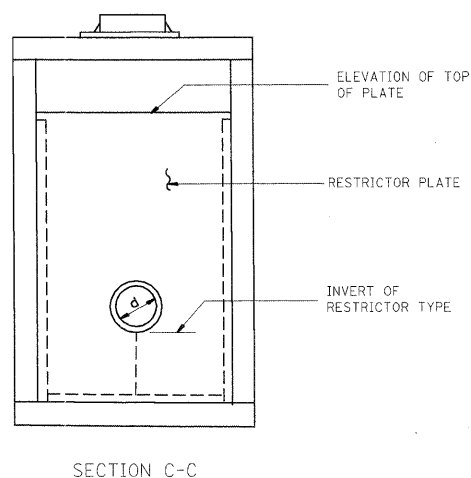
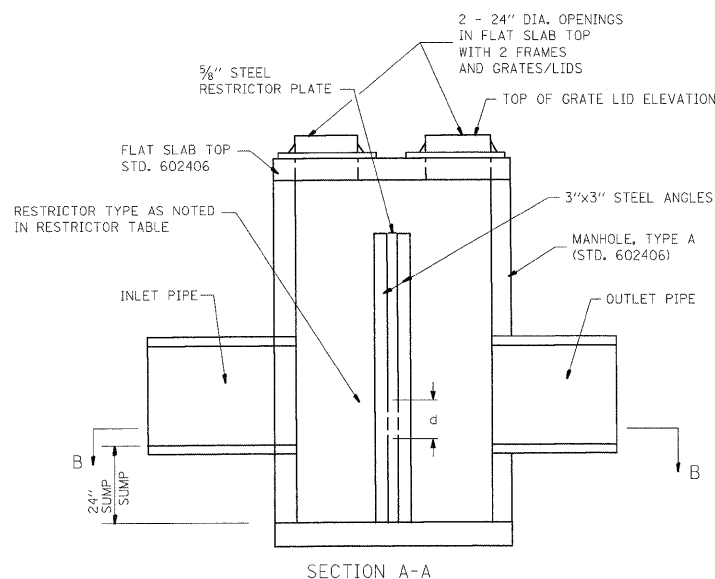
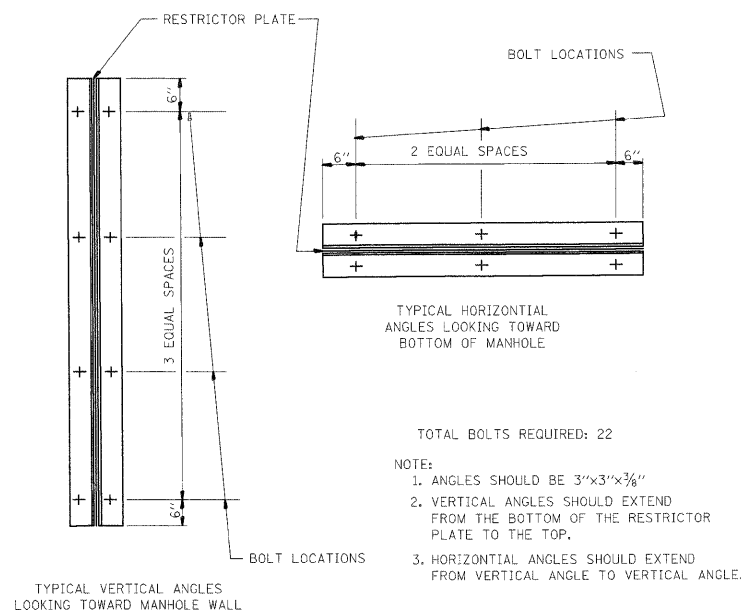


- NOTES:
1. ALL STEEL ANGLES AND PLATES TO BE GALVANIZED AFTER FABRICATION.
 2. ALL RESTRICTOR PLATES, ANGLES AND HARDWARE TO BE INCLUDED IN THE COST OF THE MANHOLE.



| STRUCTURE NO. | STATION | MANHOLE DIAMETER | FRAME AND GRATE | RESTRICTOR TYPE | INSIDE RESTRICTOR TYPE DIAMETER (IN) (d) | INVERT OF RESTRICTOR TYPE | ELEVATION OF TOP OF PLATE OVERFLOW |
|---------------|----------|------------------|-----------------|-----------------|--|---------------------------|------------------------------------|
| 53 | 25+10.00 | 6' | 2-T1F CL | SHARP EDGED | 36" | 595.02 | 600.43 |
| 210 | 77+25.00 | 6' | 2-T1F CL | SHARP EDGED | 21" | 635.71 | 640.26 |
| 257 | 78+50.00 | 6' | 2-T1F CL | SHARP EDGED | 18" | 635.16 | 640.66 |
| | | | | | | | |
| | | | | | | | |
| | | | | | | | |
| | | | | | | | |
| | | | | | | | |
| | | | | | | | |
| | | | | | | | |

BASIS OF PAYMENT: MANHOLE, TYPE A RESTRICTOR PLATE WITH THE FRAME AND GRATE AND DIAMETER SPECIFIED.



- TOTAL BOLTS REQUIRED: 22
- NOTE:
1. ANGLES SHOULD BE 3"x3"x3/8"
 2. VERTICAL ANGLES SHOULD EXTEND FROM THE BOTTOM OF THE RESTRICTOR PLATE TO THE TOP.
 3. HORIZONTAL ANGLES SHOULD EXTEND FROM VERTICAL ANGLE TO VERTICAL ANGLE.

| RESTRICTOR TYPE | | | | | |
|--|-------------|---------------------|--------------------|--------------------|---------|
| 1 | 2 | 3 | 4 | 5 | 6 |
| RE-ENTRANT TUBE | SHARP EDGED | SQUARE EDGED | RE-ENTRANT TUBE | SQUARE EDGED | ROUNDED |
| | | | | | |
| LENGTH: 1/2 TO 1 DIA. | | STREAM CLEARS SIDES | LENGTH: 2-1/2 DIA. | LENGTH: 2-1/2 DIA. | |
| C=.52 | C=.61 | C=.61 | C=.73 | C=.82 | C=.98 |
| VALUES OF "C" FOR CIRCULAR AND SQUARE ORIFICES | | | | | |