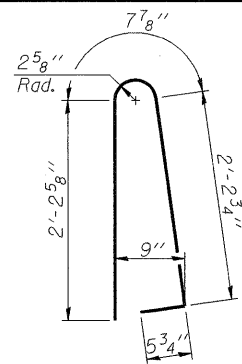
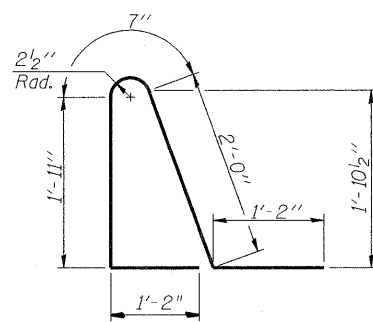


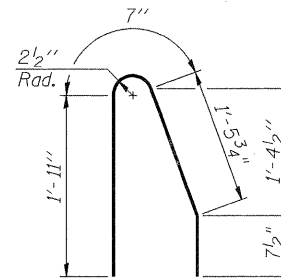
BAR c(E)



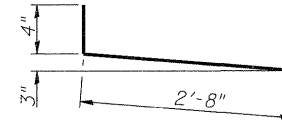
BAR d(E)



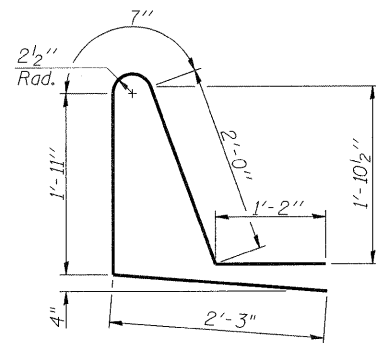
BAR d1(E)



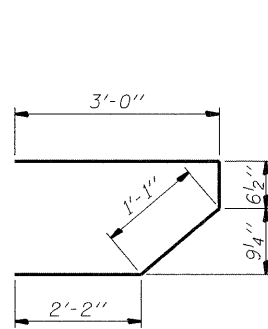
ALTERNATE BAR d1(E)



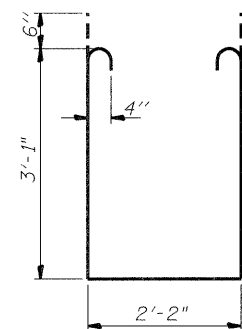
BAR d2(E)



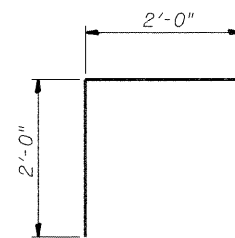
BAR d3(E)



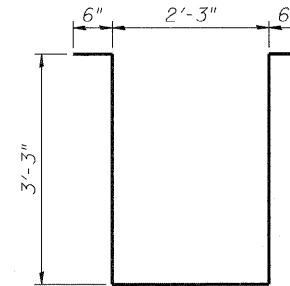
BAR s(E)



BAR s1(E)



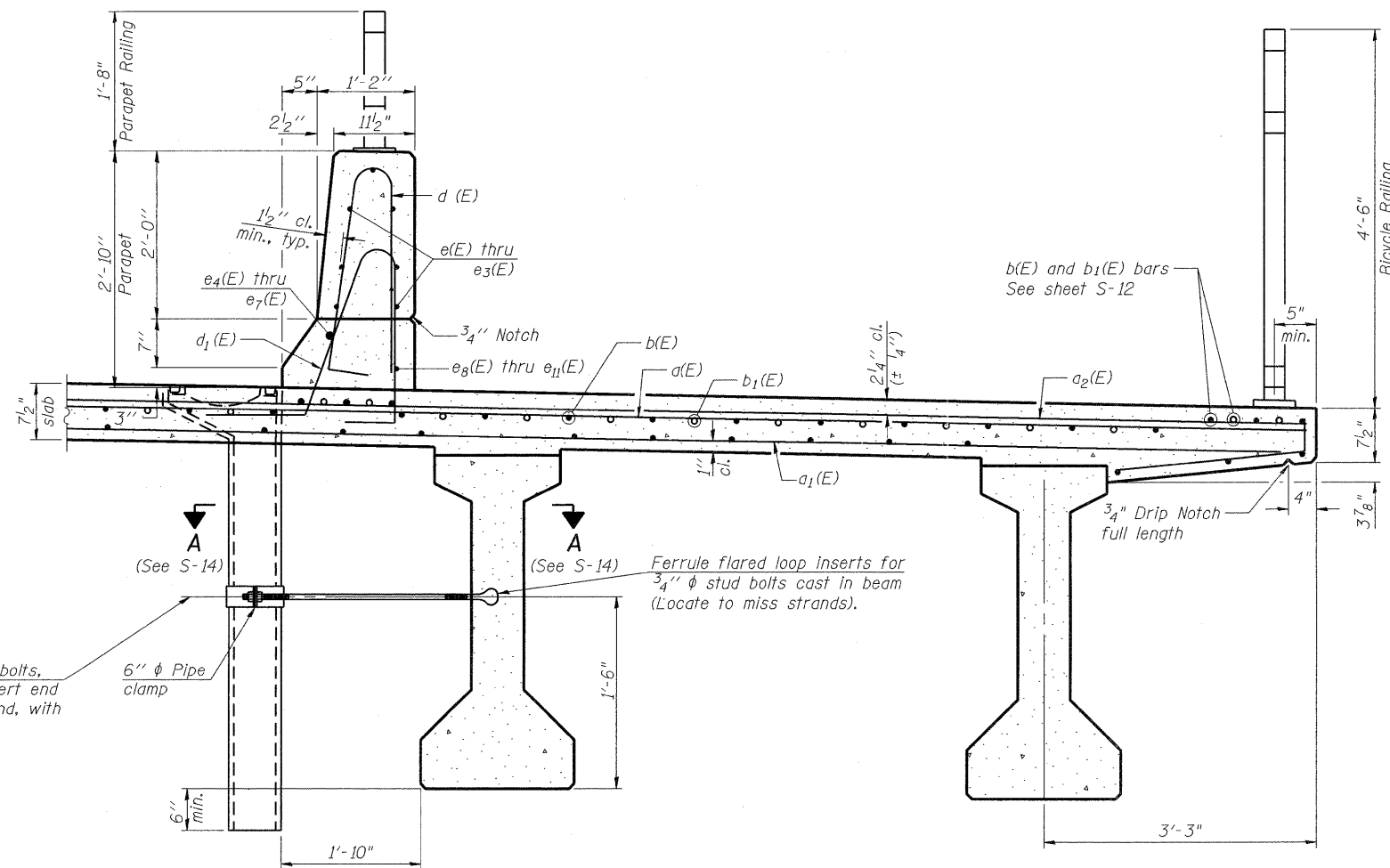
BAR v(E)



BAR s2(E)

**SUPERSTRUCTURE
BILL OF MATERIAL**

Bar	No.	Size	Length	Shape
a (E)	245	#5	26'-0"	—
a1 (E)	184	#5	26'-0"	—
a2 (E)	240	#6	16'-9"	—
a3 (E)	4	#5	27'-6"	—
a4 (E)	251	#5	15'-3"	—
a5 (E)	188	#5	15'-3"	—
a6 (E)	259	#6	6'-0"	—
a7 (E)	4	#5	16'-1"	—
a8 (E)	48	#5	1'-6"	—
a9 (E)	16	#5	6'-9"	—
b (E)	282	#5	29'-2"	—
b1 (E)	94	#6	22'-1"	—
b2 (E)	200	#5	34'-5"	—
b3 (E)	15	#5	34'-1"	—
c (E)	326	#5	2'-3"	└
d (E)	354	#5	5'-7"	└
d1 (E)	177	#5	8'-2"	└
d2 (E)	177	#5	3'-0"	└
d3 (E)	177	#5	7'-11"	└
e (E)	84	#4	14'-8"	—
e1 (E)	28	#4	6'-2"	—
e2 (E)	28	#4	7'-0"	—
e3 (E)	42	#4	14'-4"	—
e4 (E)	8	#8	25'-1"	—
e5 (E)	4	#8	6'-2"	—
e6 (E)	4	#8	7'-0"	—
e7 (E)	4	#8	24'-5"	—
e8 (E)	12	#4	16'-4"	—
e9 (E)	4	#4	6'-2"	—
e10 (E)	4	#4	7'-0"	—
e11 (E)	6	#4	16'-0"	—
m (E)	10	#6	26'-3"	—
m1 (E)	16	#6	10'-2"	—
m2 (E)	12	#6	4'-11"	—
m3 (E)	4	#6	2'-4"	—
m4 (E)	24	#4	6'-0"	—
m5 (E)	14	#8	5'-7"	—
m6 (E)	10	#6	14'-1"	—
m7 (E)	12	#6	7'-10"	—
m8 (E)	12	#6	2'-10"	—
m9 (E)	16	#4	3'-10"	—
s (E)	64	#5	6'-9"	└
s1 (E)	64	#4	9'-4"	└
s2 (E)	52	#4	9'-9"	└
v (E)	88	#5	4'-0"	└
Concrete Superstructure			Cu. Yds.	270.7
Reinforcement Bars, Epoxy Coated			Lbs.	58,800



SECTION THRU BIKE PATH

COMPANY NAME: SEC GROUP, INC.
 PROJECT CONTACT: Robert F. G. Davies
 CLIENT: ILLINOIS DEPARTMENT OF TRANSPORTATION
 DATE PLOTTED: 10/14/2011 11:03:26 AM
 FILE NAME: 047-0051-SS02.dgn
 PLOT NUMBER: 22-34, 1b1
 PLOT TABLE: STRUCT

SEC Group, Inc.
 An HR Green Company
 420 N. Front Street,
 Maitland, FL 32751-2138
 1.813.385.1778 E.813.385.1784
 www.secgroup.com

PB Americas, Inc.
 230 WEST MONROE STREET,
 SUITE 900
 CHICAGO, IL. 60606

USER NAME = whood	DESIGNED - MGH	REVISED -
PLOT SCALE =	CHECKED - SSM	REVISED -
PLOT DATE = 10/14/2011	DRAWN - WJH	REVISED -
	CHECKED - RGD	REVISED -

STATE OF ILLINOIS
DEPARTMENT OF TRANSPORTATION

SUPERSTRUCTURE DETAILS
STRUCTURE NO. 047-0051
SHEET NO. S-15 OF S-43 SHEETS

F.A.P. RTE.	SECTION	COUNTY	TOTAL SHEETS	SHEET NO.
591	14BR-1	KENDALL	429	265
			CONTRACT NO. 66985	
(ILLINOIS) FED. AID PROJECT				