

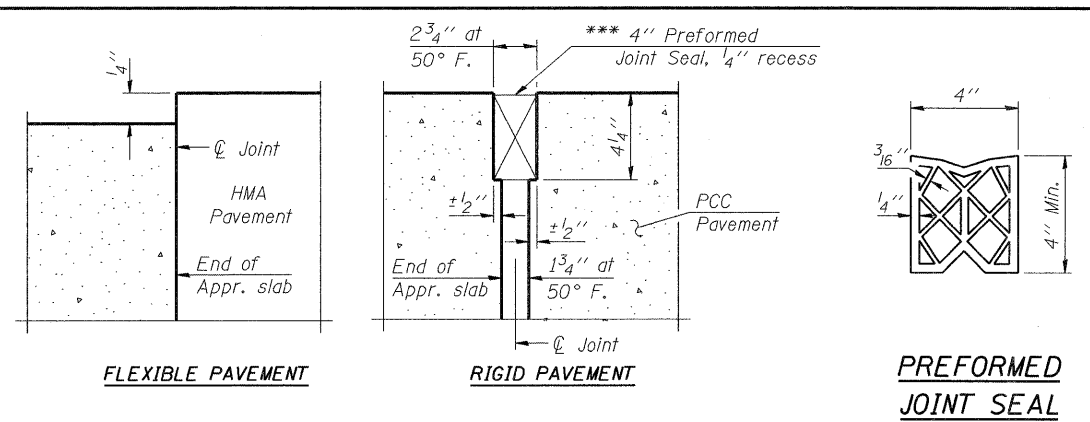
EAST APPROACH PLAN

Note: West Approach is the opposite, including detail shown at right

* Tilt #9 $b_{11}(E)$ bars as required to maintain clearance.

Notes:

See sheet S-21 for Sections C-C, D-D, View E-E and View G-G.
 $a_{10}(E)$, $a_{11}(E)$, $a_{12}(E)$ and $a_{13}(E)$ bar spacings measured along C.R.
 See sheet S-1 for location of existing 54" RCP storm sewer south of the west approach pavement.



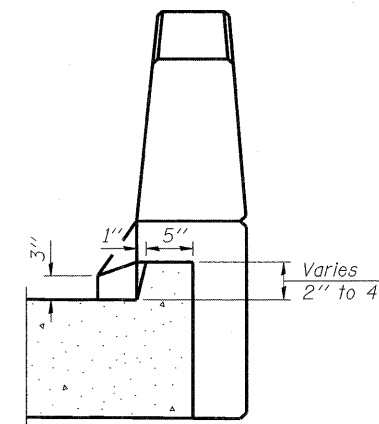
FLEXIBLE PAVEMENT

RIGID PAVEMENT

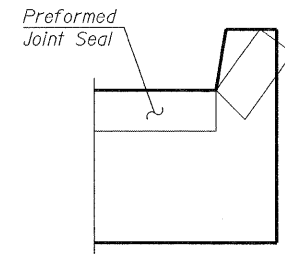
PREFORMED JOINT SEAL

*** Cost included with Concrete Superstructure.

DETAIL A

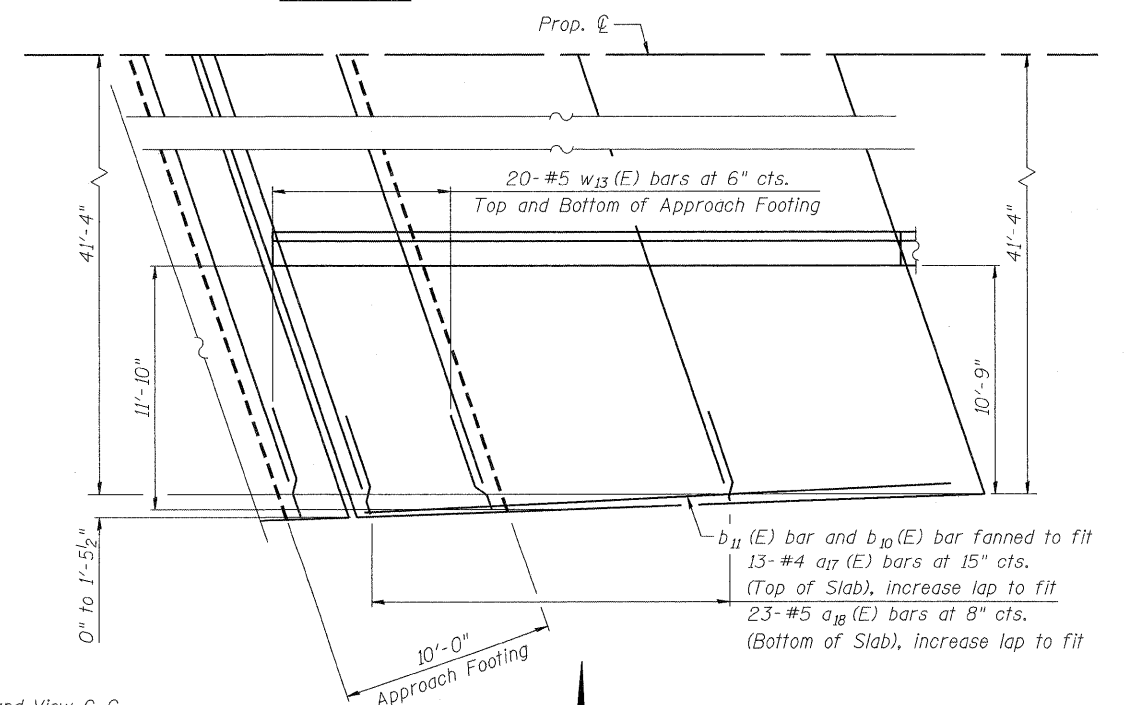


VIEW B-B



Angle Preformed Joint Seal at 45° at curbs when req'd for drainage.

VIEW F-F



WEST APPROACH DETAIL

(Sheet 1 of 2)

COMPANY NAME: SEC GROUP, INC.
 PROJECT CONTACT: Robert G. Davies
 CLIENT: ILLINOIS DEPARTMENT OF TRANSPORTATION
 DATE PLOTTED: 10/14/2011 10:59:48 AM
 PLOT DRIVER: C:\Program Files\Autodesk\AutoCAD 2011\Plot\Plotter\Plotter.ctb
 PEN TABLE: S:\Projects\2011\148001.dgn

SEC Group, Inc.
 400 N. First Street, Mettawa, IL 60050-2116
 1.815.385.1778 F. 815.385.1781
 www.secgroup.com

PB Americas, Inc.
 230 WEST MONROE STREET, SUITE 900
 CHICAGO, IL. 60606

USER NAME = whoood	DESIGNED - JPG	REVISD -
PLOT SCALE =	CHECKED - SSM	REVISD -
PLOT DATE = 10/14/2011	DRAWN - RCB	REVISD -
	CHECKED - RGD	REVISD -

STATE OF ILLINOIS DEPARTMENT OF TRANSPORTATION

**BRIDGE APPROACH SLAB DETAILS
 STRUCTURE NO. 047-0051**

SHEET NO. S-20 OF S-43 SHEETS

F.A.P. RTE.	SECTION	COUNTY	TOTAL SHEETS	SHEET NO.
591	14BR-1	KENDALL	429	270
CONTRACT NO. 66985			ILLINOIS FED. AID PROJECT	