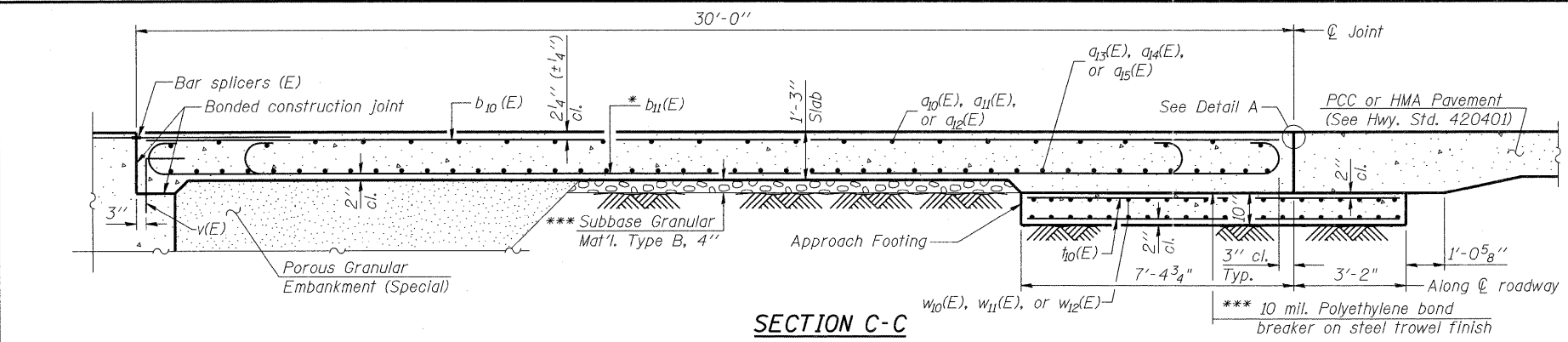
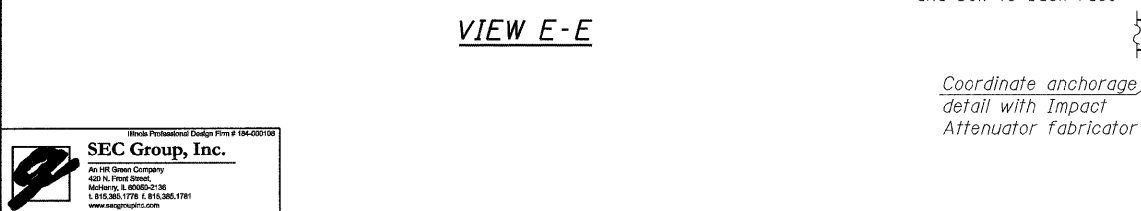
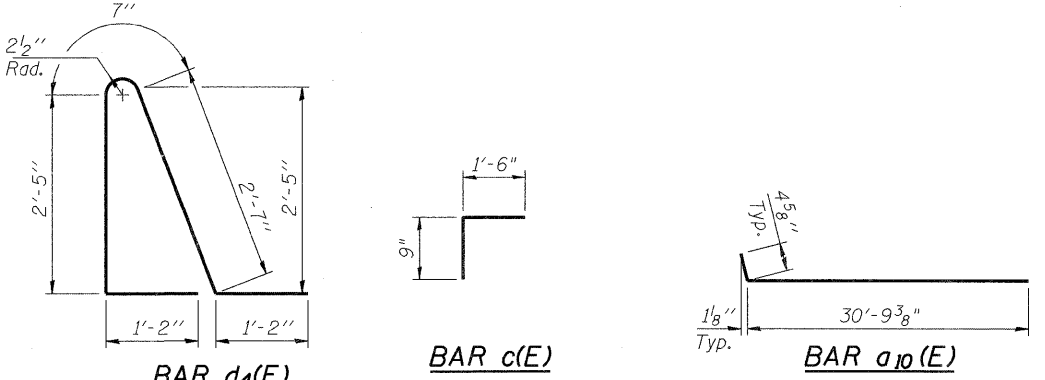
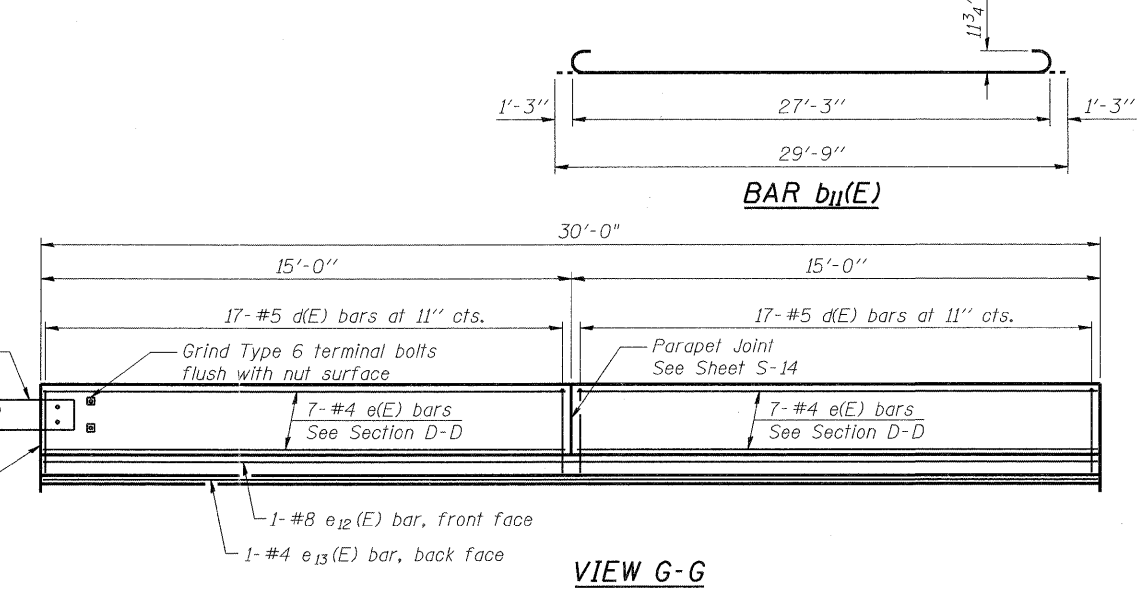
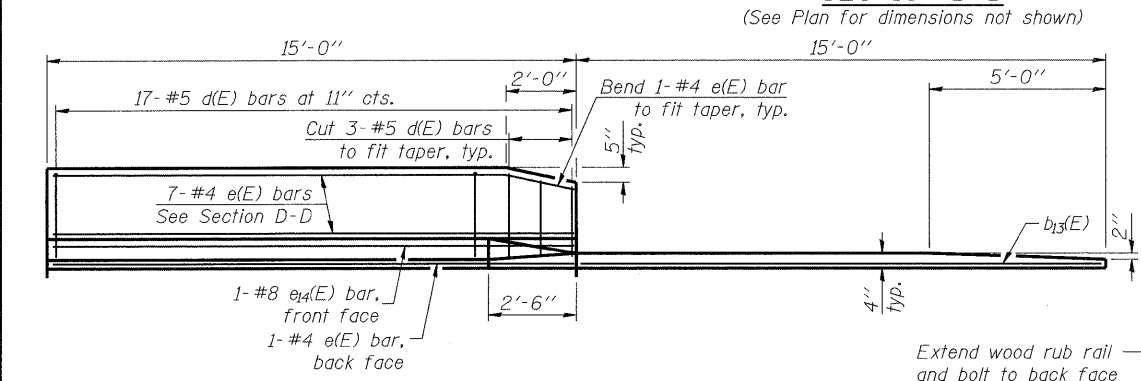
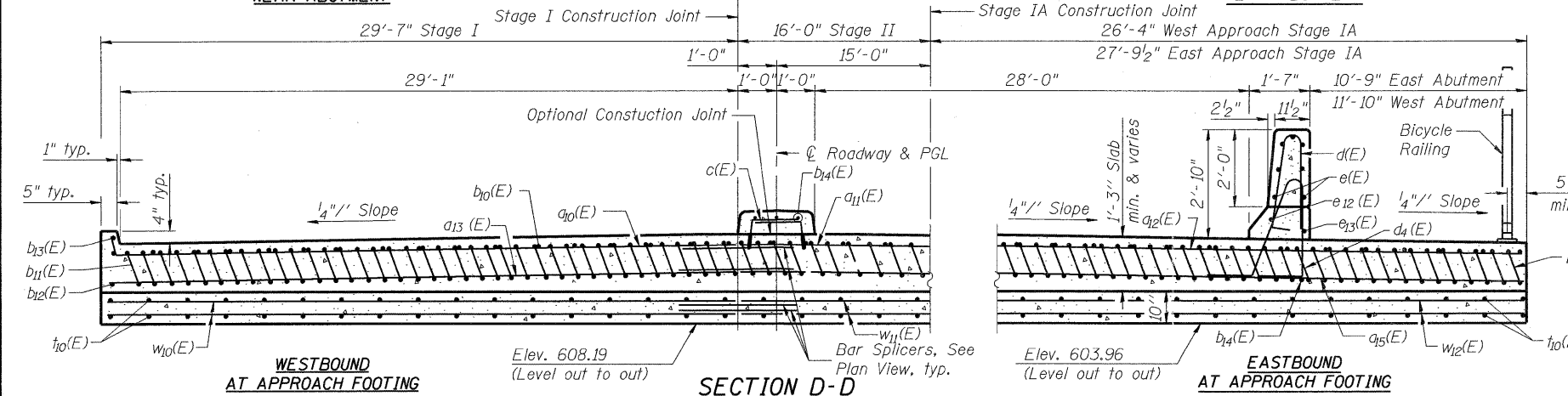
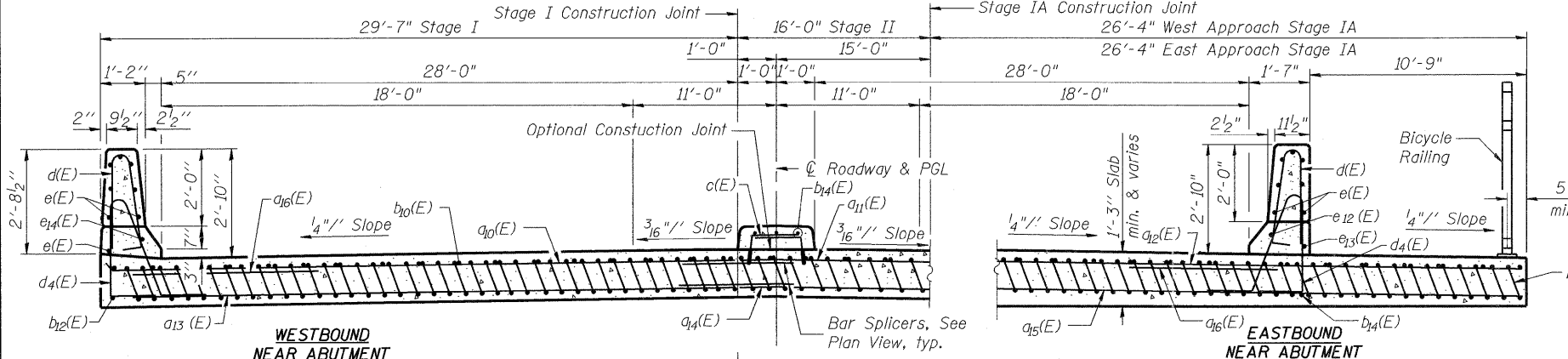


Notes:
 See sheet S-20 for Detail A, View B-B, and View F-F.
 Approach slab and parapet concrete shall be paid for as Concrete Superstructure.
 Approach footing concrete shall be paid for as Concrete Structures.
 Reinforcement shall be paid for as Reinforcement Bars, Epoxy Coated.
 For v(E) bar details, see sheet S-15.
 The approach footing maximum applied service bearing pressure (Qmax) = 2.0 ksf.
 For bar splicer details, see sheet S-40.
 Cost of excavation for approach footing included with Concrete Structures.
 For Porous Granular Embankment (Special) and drainage treatment details, see sheet S-2.
 For additional parapet details, see sheet S-14.
 See sheet S-14 for Section Thru Median.



* Tilt #9 b11(E) bars as required to maintain clearance.
 *** Cost included with Concrete Superstructure.



**TWO APPROACHES
 BILL OF MATERIAL**

Bar	No.	Size	Length	Shape
a10(E)	50	#4	31'-2"	U
a11(E)	50	#4	16'-6"	—
a12(E)	50	#4	27'-6"	—
a13(E)	92	#5	30'-11"	—
a14(E)	92	#5	16'-6"	—
a15(E)	92	#5	27'-6"	—
a16(E)	72	#6	6'-6"	—
a17(E)	13	#4	3'-0"	—
a18(E)	23	#5	3'-0"	—
b10(E)	117	#4	29'-8"	—
b11(E)	347	#9	29'-9"	C
b12(E)	2	#4	14'-8"	—
b13(E)	2	#4	14'-8"	—
b14(E)	8	#5	29'-8"	—
c(E)	124	#5	2'-3"	L
d(E)	102	#5	5'-7"	A
d4(E)	102	#5	7'-11"	A
e(E)	42	#4	14'-8"	—
e12(E)	2	#8	29'-8"	—
e13(E)	2	#4	29'-8"	—
e14(E)	2	#8	14'-8"	—
t10(E)	290	#4	9'-8"	—
w10(E)	80	#5	30'-11"	—
w11(E)	80	#5	16'-6"	—
w12(E)	80	#5	27'-6"	—
w13(E)	40	#5	3'-1"	—
Concrete Superstructure		Cu. Yd.	237.5	
Concrete Structures		Cu. Yd.	45	
Reinforcement Bars, Epoxy Coated		Pound	58,890	

(Sheet 2 of 2)

COMPANY NAME: SEC GROUP, INC.
 PROJECT CONTACT: Robert L. & Davies
 CLIENT: ILLINOIS DEPARTMENT OF TRANSPORTATION
 DATE PLOTTED: 10/12/2011 10:08:54 AM
 PLOT NUMBER: 0710037-15020207
 PLOT DATE: 10/12/2011
 PLOT SCALE: 1/8" = 1'-0"
 PLOT TABLE: Structure, 22x34, 1x1

SEC Group, Inc.
 No. 101 Green Company
 401 N. First Street
 Chicago, IL 60607-3736
 T. 815.385.1778 F. 815.385.1781
 www.secgroup.com

PB Americas, Inc.
 230 WEST MONROE STREET,
 SUITE 900
 CHICAGO, IL. 60606

USER NAME = whood	DESIGNED - JPG	REVISED -
PLOT SCALE =	CHECKED - SSM	REVISED -
PLOT DATE = 10/14/2011	DRAWN - RCB	REVISED -
	CHECKED - RGD	REVISED -

**STATE OF ILLINOIS
 DEPARTMENT OF TRANSPORTATION**

**BRIDGE APPROACH SLAB DETAILS
 STRUCTURE NO. 047-0051**

SHEET NO. S-21 OF S-43 SHEETS

F.A.P. RTE.	SECTION	COUNTY	TOTAL SHEETS	SHEET NO.
591	14BR-1	KENDALL	429	271
CONTRACT NO. 66985			ILLINOIS FED. AID PROJECT	