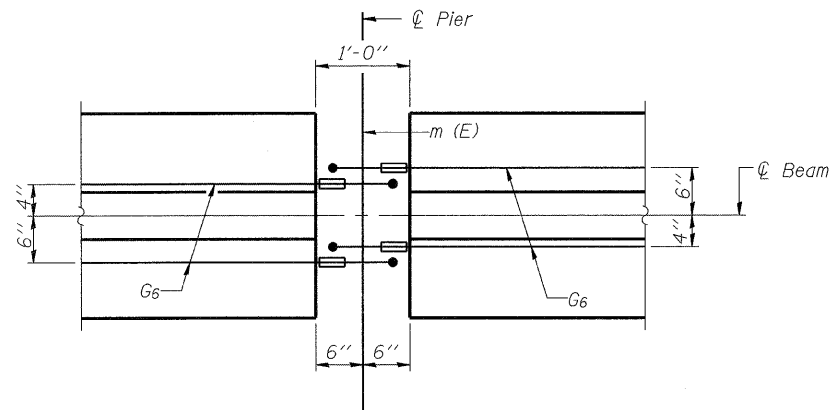
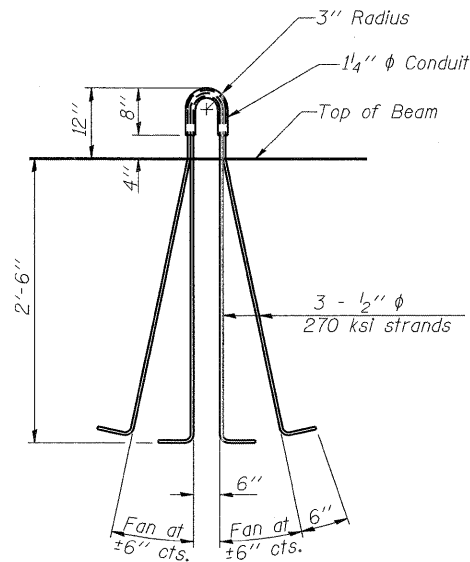


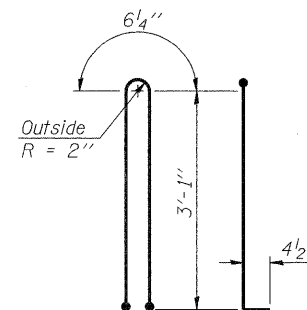
ELEVATION OF BEAM AT PIER



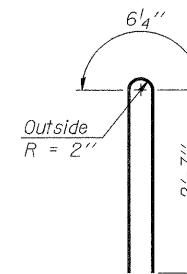
PLAN OF BEAM AT PIER



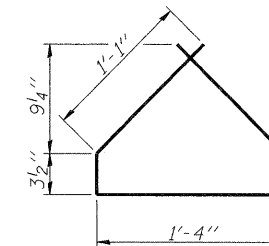
LIFTING LOOP DETAIL



BAR G1



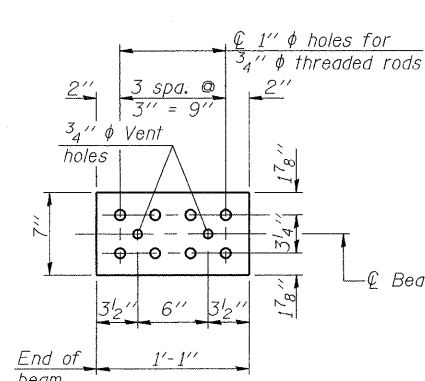
BAR G2



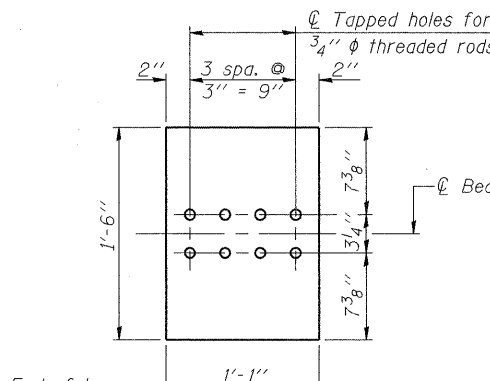
BAR G4

NOTES

Inserts for 3/4" ϕ threaded dowel rods, when specified, are to be two strut, ferrule type for interior beams and single ferrule, flared loop type for exterior beams. Prestressing steel shall be uncoated high strength, low relaxation 7-wire strand, Grade 270. The nominal diameter shall be 1/2" and the nominal cross-sectional area shall be 0.153 sq. in. Reinforcement bars shall conform to ASTM A 706, Grade 60. (See Special Provisions). A minimum 2 1/2" ϕ lifting pin shall be used to engage the lifting loops during handling. Tilt G₆ bars when necessary to maintain 1/2" clearance. The top and bottom plates shall be AASHTO M270 Grade 50. The bottom plates shall be galvanized according to AASHTO M111. Top plates and threaded rods need not be galvanized. Threaded rods shall be ASTM F 1554 Grade 55. The G₆ bar assembly shall be capable of developing 125 percent of the yield strength of the grade 60 reinforcement bar components. The assembly shall allow completion of the splice without turning of the hook bar. The hook bar shall be threaded such that the entire coupler can be threaded onto the hook bar. Beams requiring G₆ bar assemblies shall not be released from the fabricator until they have attained 45 days of age or older.

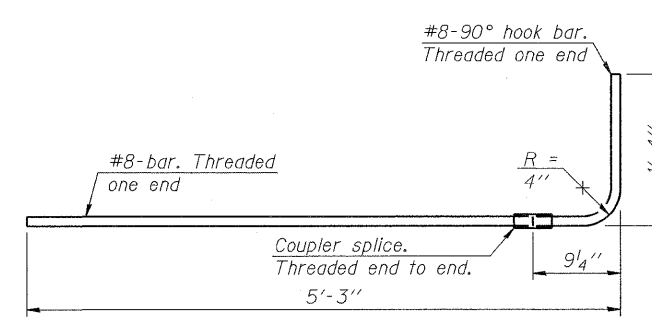


TOP PLATE



BOTTOM PLATE

See bearing details for pintle hole locations when required.



G6 BAR ASSEMBLY

BILL OF MATERIAL

Item	Unit	Total
Furnishing and Erecting Precast Prestressed Concrete I-Beams, 36"	Ft.	404

COMPANY NAME: SEC GROUP, INC.
 PROJECT CONTACT: Robert L. G. Davies
 CLIENT: ILLINOIS DEPARTMENT OF TRANSPORTATION
 DATE PLOTTED: 10/21/2011 11:03:5 AM
 PLOT DSCALE: 0.750000
 PEN TABLE: STRUCT 23,34,151

PI-4-36D 1-28-11

SEC Group, Inc.
 1611 Green Company
 420 N. First Street
 Maitland, FL 32751-2108
 T: 813.365.1778 F: 813.365.1781
 www.secgroupinc.com

PB Americas, Inc.
 230 WEST MONROE STREET,
 SUITE 900
 CHICAGO, IL. 60606

USER NAME = whood	DESIGNED - MGH	REVISED -
PLOT SCALE =	CHECKED - SSM	REVISED -
PLOT DATE = 10/14/2011	DRAWN - RCB	REVISED -
	CHECKED - RGD	REVISED -

**STATE OF ILLINOIS
DEPARTMENT OF TRANSPORTATION**

**PRESTRESSED BEAM DETAILS - 36" 14SU
STRUCTURE NO. 047-0051**

SHEET NO. S-26 OF S-43 SHEETS

F.A.P. RTE.	SECTION	COUNTY	TOTAL SHEETS	SHEET NO.
591	14BR-1	KENDALL	429	276
			CONTRACT NO. 66985	
[ILLINOIS] FED. AID PROJECT				