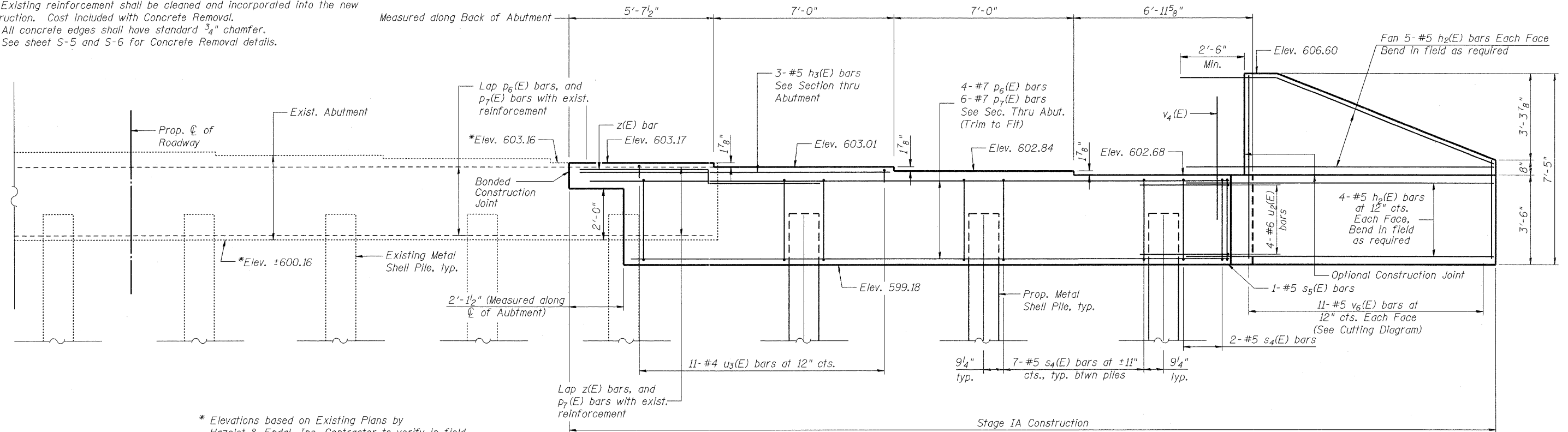


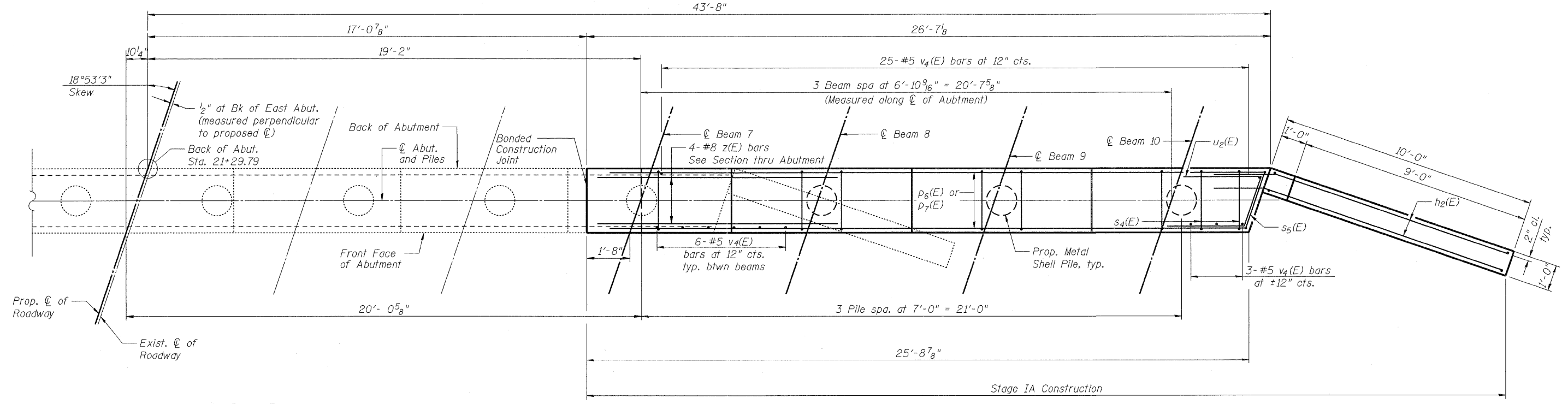
Notes:

See sheet S-4 for Concrete Removal details.
 Pour steps monolithically with cap.
 For details of piles see sheet S-39.
 Existing reinforcement shall be cleaned and incorporated into the new construction. Cost included with Concrete Removal.
 All concrete edges shall have standard 3/4" chamfer.
 See sheet S-5 and S-6 for Concrete Removal details.



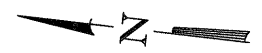
* Elevations based on Existing Plans by Hazelet & Endal, Inc. Contractor to verify in field.

ELEVATION
(Looking East)



MIN. BAR LAP
 #5 bar 2'-11"
 #8 bar 4'-8"

PLAN



COMPANY NAME: SEC GROUP INC.
 PROJECT CONTACT: Robert G. Davies
 CLIENT: ILLINOIS DEPARTMENT OF TRANSPORTATION
 DATE PLOTTED: 10/27/2011 10:03:33 AM
 FILE NAME: 1047-0051-001.dgn
 PLOT DRIVER: pdcfacit
 PEN TABLE: Struct_20x34.tbl

SEC Group, Inc.
 Illinois Professional Design Firm # 104-020106
 400 N. Front Street
 Naperville, IL 60563-2110
 L 630.385.7770 F 630.385.1781
 www.secgroupinc.com
 rdavies@secgroupinc.com alex.lerner@secgroupinc.com

PB Americas, Inc.
 230 WEST MONROE STREET,
 SUITE 900
 CHICAGO, IL 60606

USER NAME = whood	DESIGNED - JPG	REVISED -
PLOT SCALE =	CHECKED - SSM	REVISED -
PLOT DATE = 10/14/2011	DRAWN - WJH	REVISED -
	CHECKED - RGD	REVISED -

STATE OF ILLINOIS
DEPARTMENT OF TRANSPORTATION

EAST ABUTMENT
STRUCTURE NO. 047-0051
 SHEET NO. S-31 OF S-43 SHEETS

F.A.P. RTE.	SECTION	COUNTY	TOTAL SHEETS	SHEET NO.
591	14BR-1	KENDALL	429	281
CONTRACT NO. 66985			ILLINOIS FED. AID PROJECT	