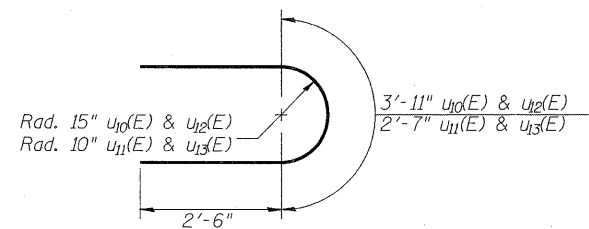
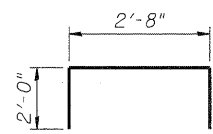


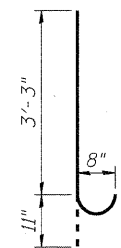
BAR  $s_7(E)$



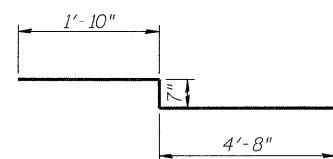
BARS  $u_{10}(E)$ ,  $u_{11}(E)$ ,  $u_{12}(E)$  &  $u_{13}(E)$



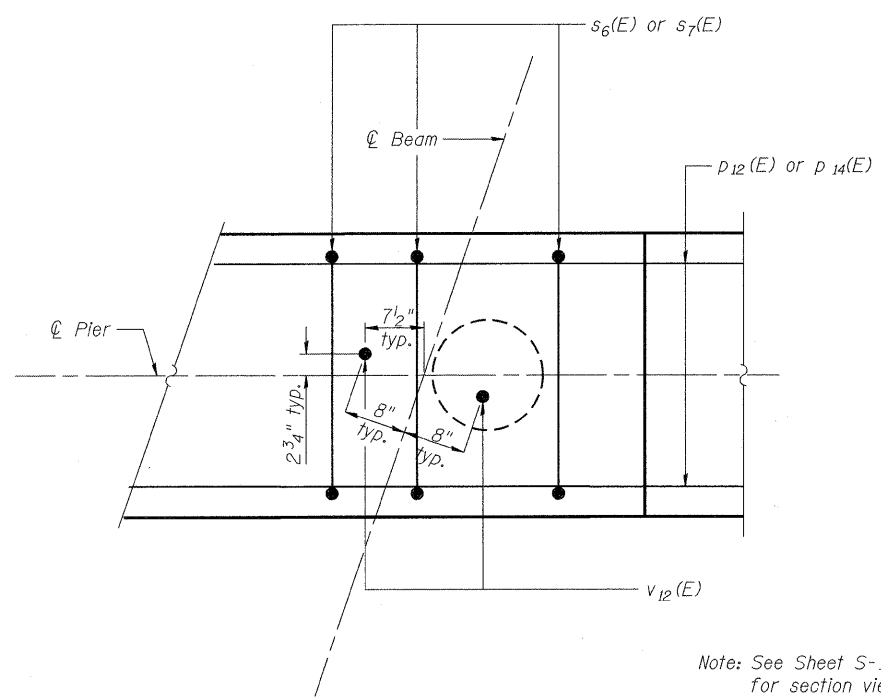
BAR  $u_{14}(E)$



BAR  $v_{11}(E)$



BAR  $z_1(E)$



Note: See Sheet S-16 for section view

DETAIL A

**BILL OF MATERIAL  
PIER 2**

Bar	No.	Size	Length	Shape
$h_T(E)$	36	#4	10'-4"	—
$h_B(E)$	34	#4	21'-4"	—
$h_B(E)$	3	#5	11'-6"	—
$D_{12}(E)$	4	#8	13'-1"	—
$D_{13}(E)$	6	#8	11'-1"	—
$D_{15}(E)$	10	#8	22'-3"	—
$s_7(E)$	32	#5	10'-7"	□
$u_{10}(E)$	3	#6	8'-11"	U
$u_{11}(E)$	18	#4	7'-7"	U
$u_{12}(E)$	3	#6	8'-11"	U
$u_{13}(E)$	17	#4	7'-7"	U
$u_{14}(E)$	12	#4	6'-8"	U
$v_{10}(E)$	22	#4	18'-2"	—
$v_{11}(E)$	44	#4	17'-7"	—
$v_{12}(E)$	26	#8	4'-2"	—
$z_1(E)$	4	#8	7'-1"	—
Cofferdam Excavation		Cu. Yd.	<b>88</b>	
* Cofferdam (Type 2) (Location - 3)		Each	1	
* Cofferdam (Type 2) (Location - 4)		Each	1	
Concrete Structures		Cu. Yd.	50	
Seal Coat Concrete		Cu. Yd.	72	
Reinforcement Bars, Epoxy Coated		Pound	3,490	
Furnishing Metal Shell Piles, 14"x0.312"		Foot	175	
Driving Piles		Foot	175	
Mechanical Splicers		Each	8	
Test Pile Metal Shells		Each	1	

Notes:  
For details of Mechanical Splicers, see sheet S-40

\* Each location noted for Cofferdam (Type 2) is for one end of a pier.

COMPANY NAME: SEC GROUP, INC.  
PROJECT CONTACT: Robert G. Davies  
CLIENT: ILLINOIS DEPARTMENT OF TRANSPORTATION  
DATE PLOTTED: 10/12/2011 11:40:03 AM  
FILE NAME: 0470051-Pier 02L.dgn  
PLOT DATE: 10/12/2011  
REV. TABLE: Structure 22-34.1b1



**PB Americas, Inc.**  
230 WEST MONROE STREET,  
SUITE 900  
CHICAGO, IL. 60606

USER NAME = whood	DESIGNED - JPG	REVISED -
PLOT SCALE =	CHECKED - SSM	REVISED -
PLOT DATE = 10/14/2011	DRAWN - WJH	REVISED -
	CHECKED - RGD	REVISED -

**STATE OF ILLINOIS  
DEPARTMENT OF TRANSPORTATION**

**PIER 2 DETAILS  
STRUCTURE NO. 047-0051**  
SHEET NO. S-38 OF S-43 SHEETS

F.A.P. RTE.	SECTION	COUNTY	TOTAL SHEETS	SHEET NO.
591	14BR-1	KENDALL	429	288
			CONTRACT NO. 66985	
[ILLINOIS] FED. AID PROJECT				