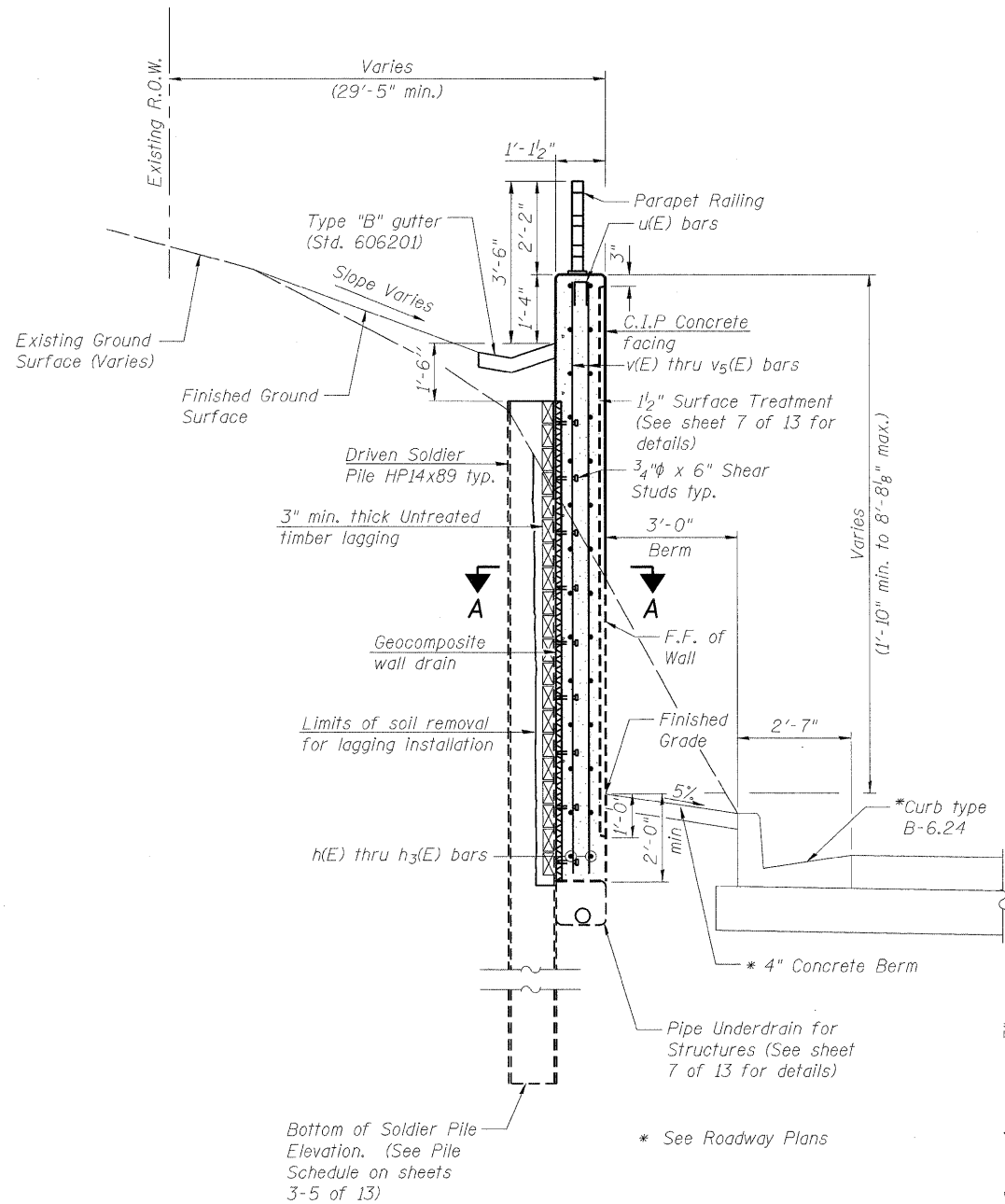
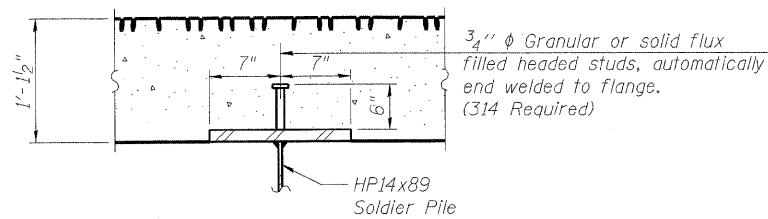


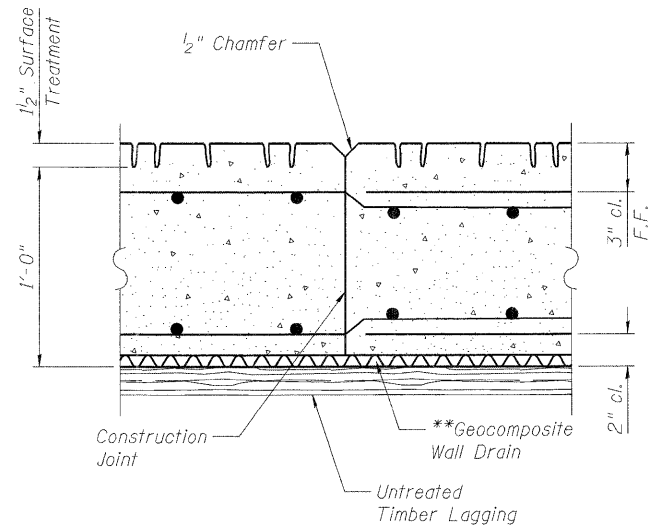
T:\16829-PrainePkw-Pk2\Struct\Cadd\Prefinal\US34-Retaining Wall 10478800-66985-006-DET.dgn  
05-MAY-2011 10:31



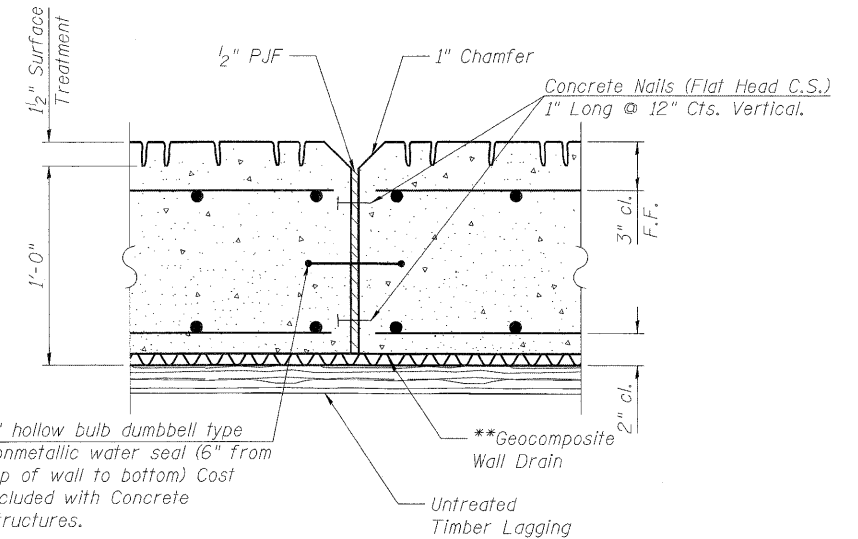
**SECTION THRU WALL**  
(Looking East)



**SECTION B-B**

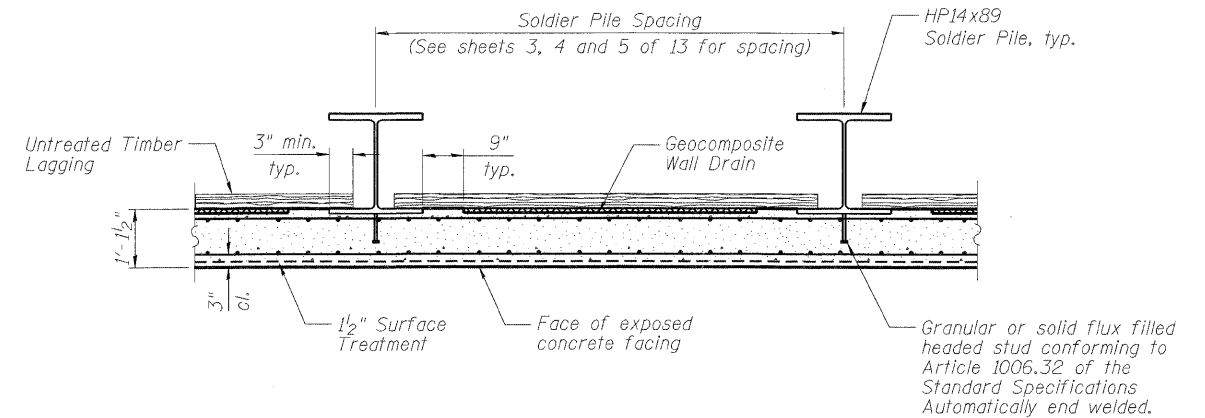


**CONSTRUCTION JOINT DETAIL**



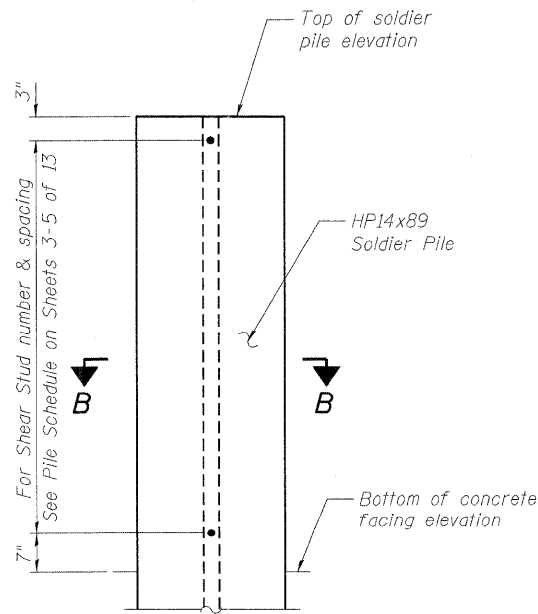
**EXPANSION JOINT DETAIL**

\*\* Geocomposite Wall Drain shall not have a thickness greater than 1/2 inch.

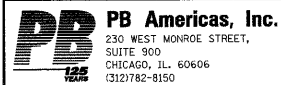


**SECTION A-A**  
(Section rotated 90° for clarity)

Notes:  
For Parapet Railing details, see sheet 8 of 13.  
For Bill of Material, see sheet 7 of 13.



**SHEAR STUD DETAIL**



FILE NAME = 0478800-66985-006-DET.dgn  
DESIGNED - Y. Ali  
CHECKED - M. Shalkh  
DRAWN - H. Aikhatb  
CHECKED - J. GRAINAWI

DESIGNED - Y. Ali  
CHECKED - M. Shalkh  
DRAWN - H. Aikhatb  
CHECKED - J. GRAINAWI

REVISED -  
REVISED -  
REVISED -  
REVISED -

STATE OF ILLINOIS  
DEPARTMENT OF TRANSPORTATION

SECTIONS AND DETAILS  
STRUCTURE NO. 047-8800

SHEET NO. 6 OF 13 SHEETS

F.A.P. RTE.	SECTION	COUNTY	TOTAL SHEETS	SHEET NO.
591	13R-2;14R-1 & BR-1(1);15R-1	KENDALL	429	299
				CONTRACT NO. 66985
ILLINOIS FED. AID PROJECT				