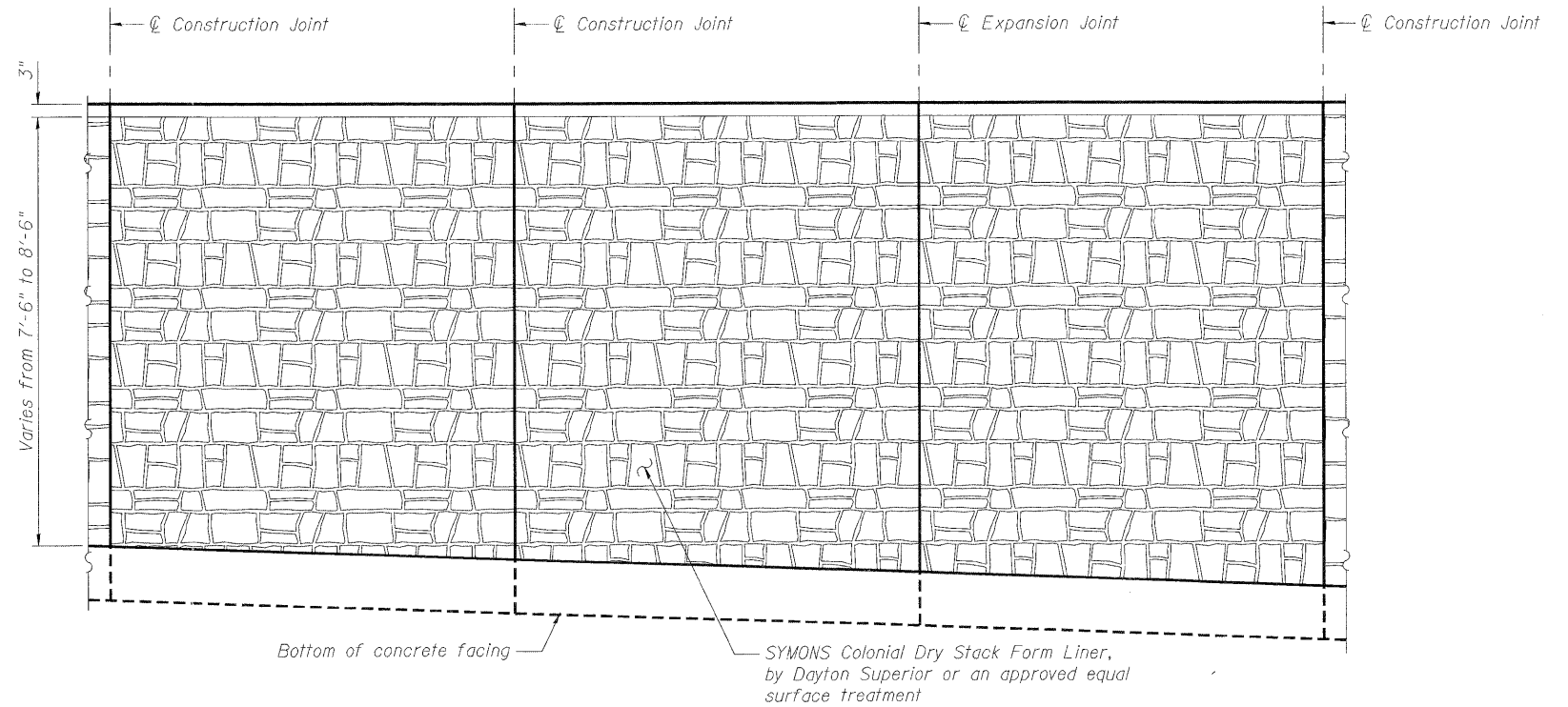
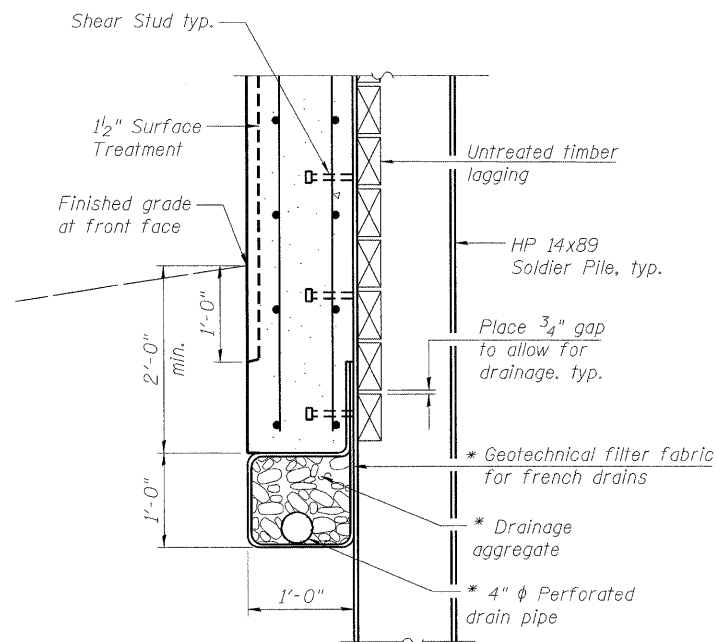


SURFACE TREATMENT DETAIL



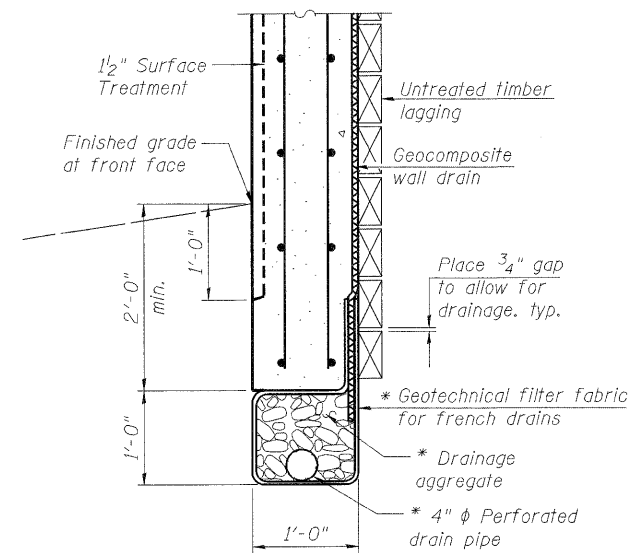
ELEVATION - TYPICAL SURFACE TREATMENT

(Front Face of Wall)



**PIPE UNDERDRAIN
DETAIL AT SOLDIER PILE**

* Included in the cost of Pipe Underdrains for Structures.

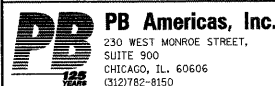


**PIPE UNDERDRAIN DETAIL
BETWEEN SOLDIER PILES**

BILL OF MATERIAL

Bar	No.	Size	Length	Shape	
h(E)	72	#5	32'-11"	—	
h ₁ (E)	18	#5	29'-10"	—	
h ₂ (E)	20	#5	34'-1"	—	
u(E)	50	#5	2'-8"	□	
v(E)	310	#5	8'-6"	—	
v ₁ (E)	70	#5	9'-6"	—	
Stud Shear Connectors				Each	148
Reinforcement Bars, Epoxy Coated				Pound	7330
Concrete Structure				Cu. Yd.	68.6
Driving Soldier Piles				Foot	948
Furnishing Soldier Piles (HP Section)				Foot	1020
Geocomposite Wall Drain				Sq. Yd.	85
Untreated Timber Lagging				Sq. Ft.	1053
Pipe Underdrains for Structures 4"				Foot	185

T:\16829-PrairiePkw-Ph2\Struct\Cadd\Prefinal\US34 Retaining Wall 2\0478801-66985-006-DET.dgn
05-MAY-2011 10:34



FILE NAME = 0478801-66985-006-DET.dgn	DESIGNED - S. CHELBIAN	REVISED -
	CHECKED - M. Shalkh	REVISED -
PLOT SCALE = NONE	DRAWN - D. C. PATEL	REVISED -
PLOT DATE = 5/5/2011	CHECKED - J. GRAINAWI	REVISED -

**STATE OF ILLINOIS
DEPARTMENT OF TRANSPORTATION**

**SECTIONS AND DETAILS
STRUCTURE NO. 047-8801**

SHEET NO. 6 OF 11 SHEETS

F.A.P. RTE.	SECTION	COUNTY	TOTAL SHEETS	SHEET NO.
591	13R-2;14R-1 & BR-1(1);15R-1	KENDALL	429	312
CONTRACT NO. 66985				
ILLINOIS FED. AID PROJECT				