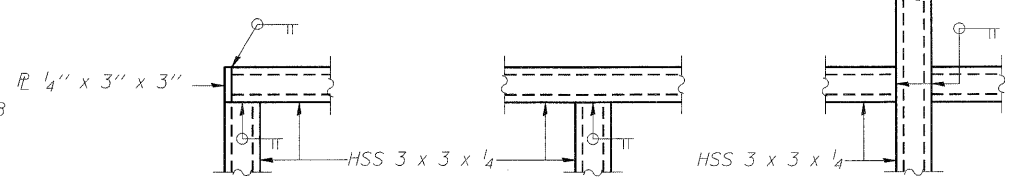


BICYCLE RAILING

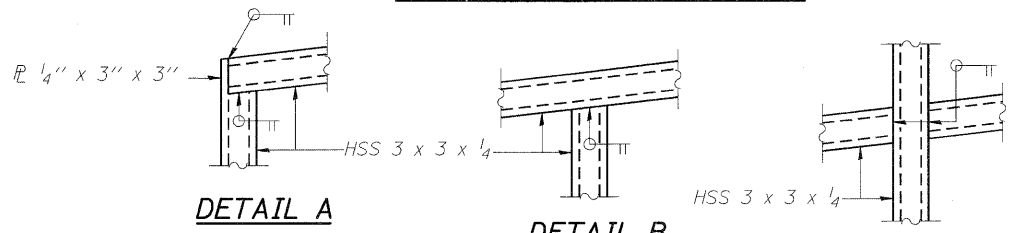
(Showing rail on top of headwall. Rail on top of wingwalls similar except as shown on details)

HOLDER TABLE

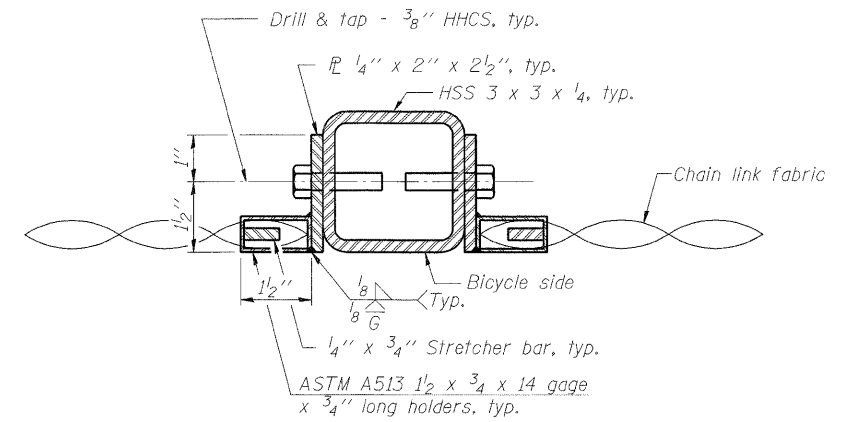
| Post Spacing (ft) | a (No.) | b (in) |
|-------------------|---------|--------|
| 4'-8" | 4 | 3 |
| 5'-3" | 3 | 3 |



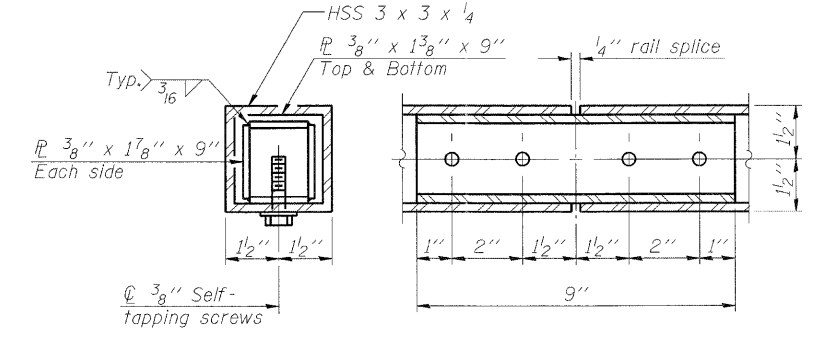
DETAIL A
DETAIL B
DETAIL C
RAILING DETAILS-HEADWALL



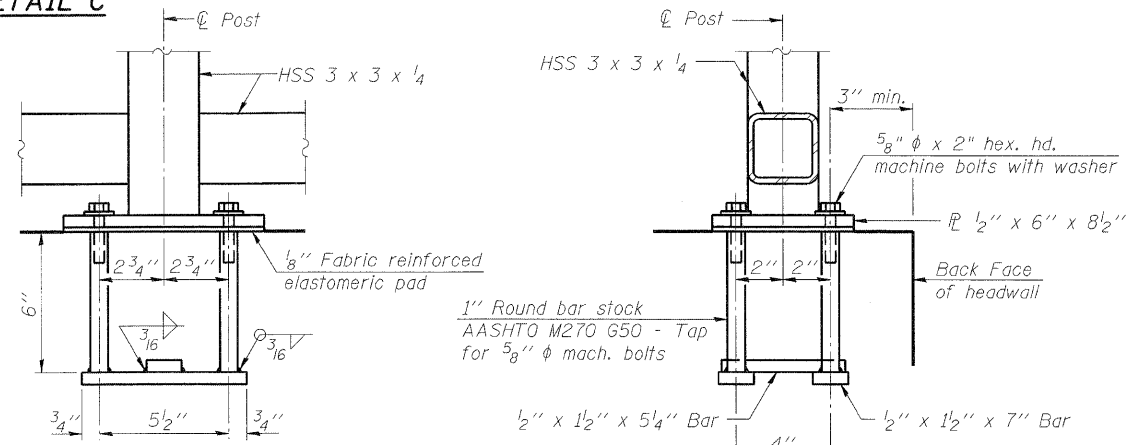
DETAIL A
DETAIL B
DETAIL C
RAILING DETAILS-WINGWALL



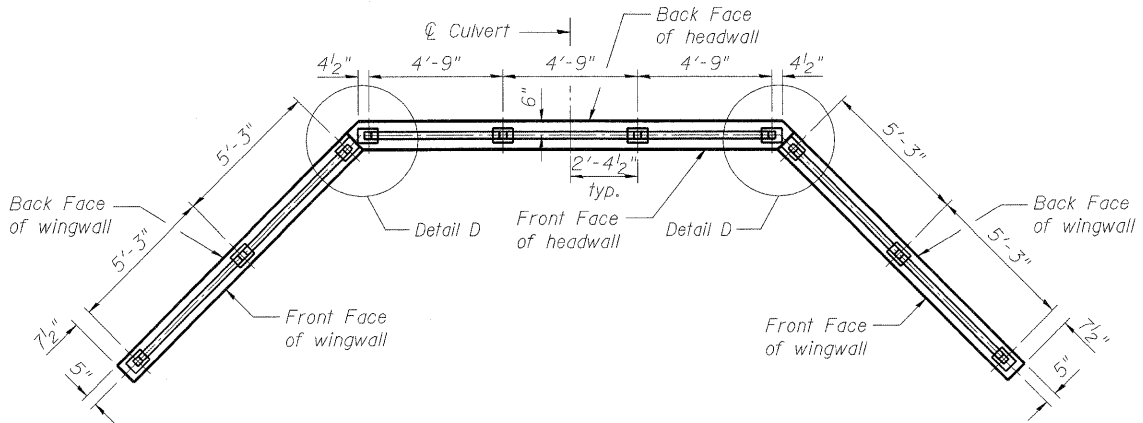
SECTION A-A



RAIL SPLICE

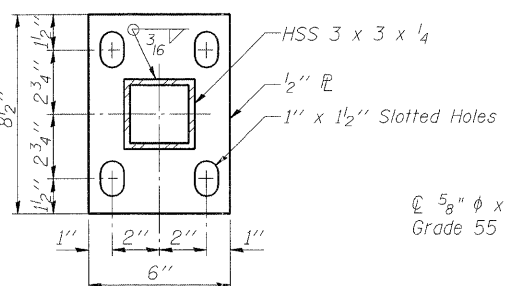


ANCHOR BOLT DETAILS-HEADWALL

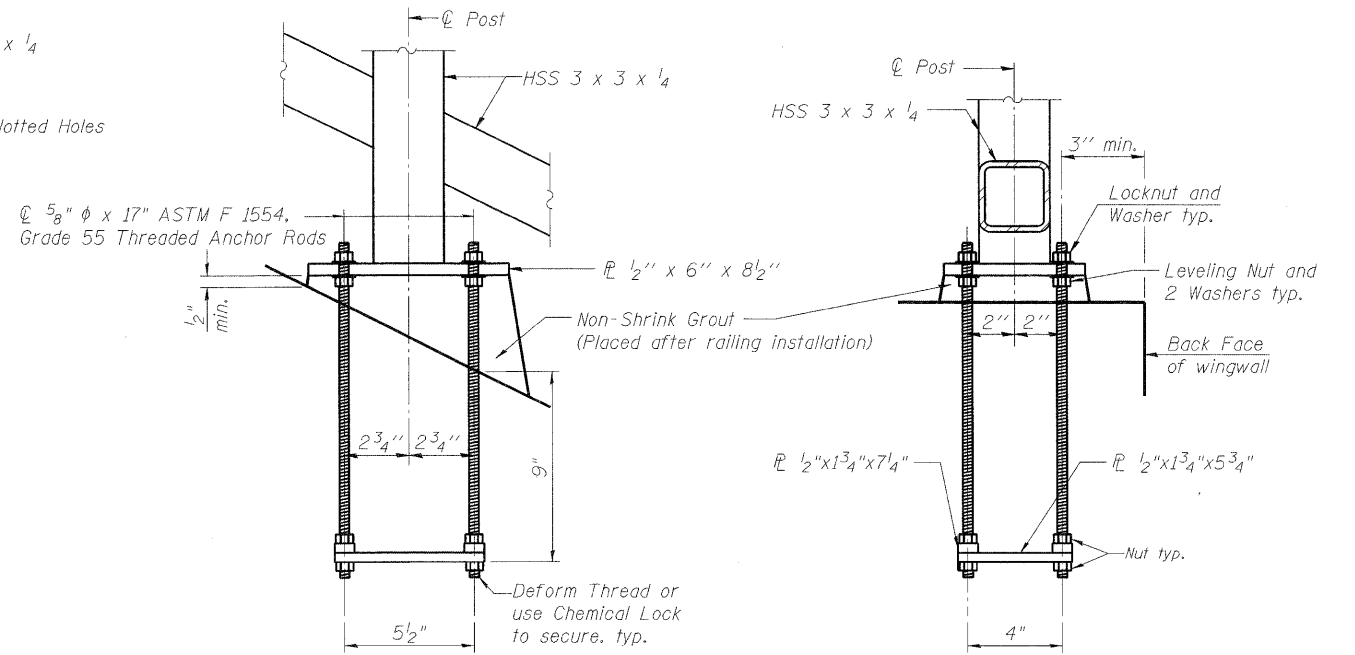


BICYCLE RAILING - POST SPACING

All posts are vertical. The Bicycle Railing elements shall conform to the shape of the wingwalls and headwall.

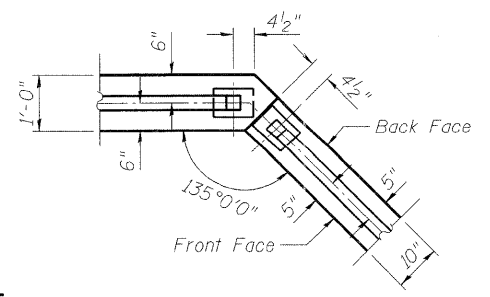


BASE PL



ANCHOR BOLT DETAILS-WINGWALL

In lieu of the cast-in-place anchor devices shown in the above anchor bolt details, the Contractor has the option of drilling and setting 5/8" φ anchor rods according to Article 509.06 of the Standard Specifications. Embedment shall be according to the manufacturer's specifications.



DETAIL D

BILL OF MATERIAL

| Item | Unit | Quantity |
|-----------------|------|----------|
| Bicycle Railing | Foot | 38 |

Note: All steel rail elements shall be galvanized according to Article 509.05 of the Standard Specifications.

T:\16829-PrattvillePky-P\2\Struct\Cadd\PreFinal\US54-WC98A-Single Box-Culvert\0472559-D366865-006-RDT.dgn 06-MAY-2011 10:18



FILE NAME = 0472559-D366865-006-RDT.dgn
DESIGNED - H. Aikhatib
CHECKED - P. Lopez
DRAWN - H. Aikhatib
CHECKED - J. Gralnaw
PLOT SCALE = NONE
PLOT DATE = 5/6/2011

DESIGNED - H. Aikhatib
CHECKED - P. Lopez
DRAWN - H. Aikhatib
CHECKED - J. Gralnaw
REVISED -
REVISED -
REVISED -
REVISED -

REVISED -
REVISED -
REVISED -
REVISED -

**STATE OF ILLINOIS
DEPARTMENT OF TRANSPORTATION**

**BICYCLE RAILING DETAILS
STRUCTURE NO. 047-2559**

SHEET NO. 6 OF 6 SHEETS

| F.A. RTE. | SECTION | COUNTY | TOTAL SHEETS | SHEET NO. |
|---------------------------|-----------------------------|---------|--------------|--------------------|
| 591 | 13R-2;14R-1 & BR-1(1);15R-1 | KENDALL | 429 | 323 |
| | | | | CONTRACT NO. 66985 |
| ILLINOIS FED. AID PROJECT | | | | |