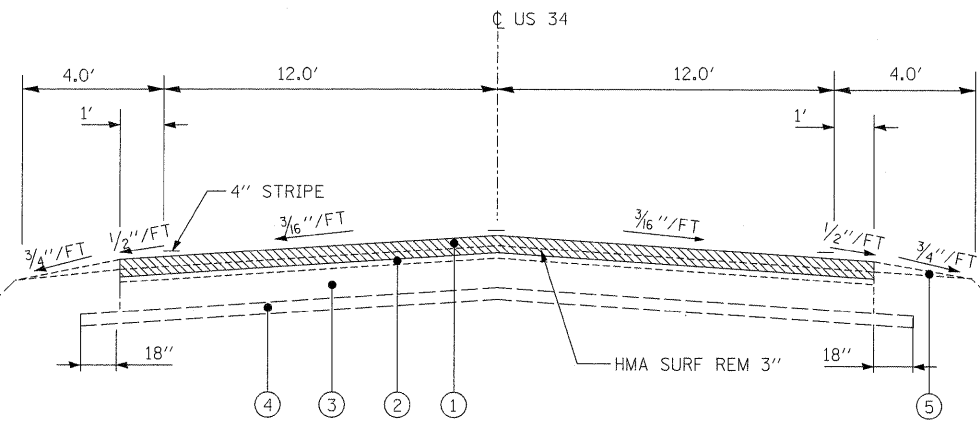
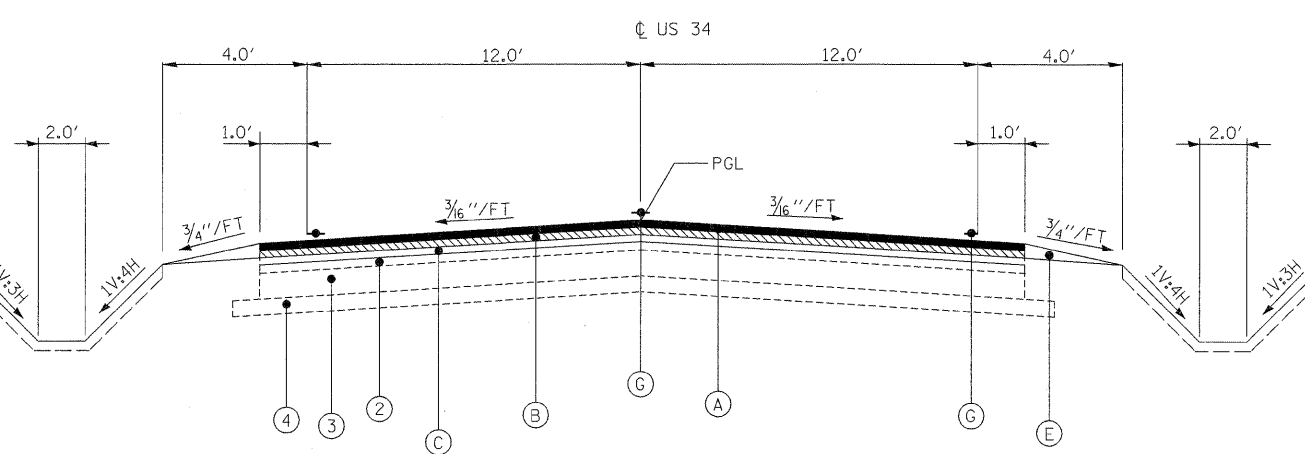


DATE	
BY	
SURVEYED	
PLOTTED	
CHECKED	
ALIGNED	
RECORDED	
FILE NAME	
PLAN	
NOTE BOOK	
NO.	

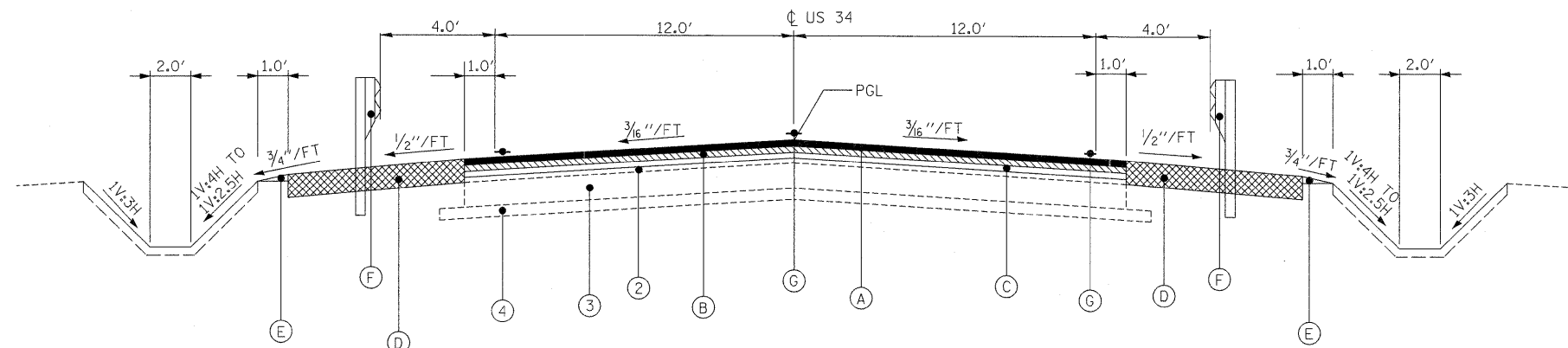
DATE	
BY	
SURVEYED	
PLOTTED	
CHECKED	
GRADES	
STRUCTURE	
NOTATIONS	
PROFILE	
NOTE BOOK	
NO.	



① EXISTING ROADWAY TYPICAL SECTION
 NTS
 FROM STA 847+50.00 TO STA 852+68.25
 FROM STA 854+06.08 TO STA 857+00.00



② PROPOSED ROADWAY TYPICAL SECTION
 NTS
 FROM STA 847+50.00 TO STA 850+87.30 (L)
 FROM STA 847+50.00 TO STA 849+87.30 (R)
 FROM STA 856+65.70 TO STA 857+00.00 (L)
 FROM STA 855+65.70 TO STA 857+00.00 (R)



③ PROPOSED ROADWAY TYPICAL SECTION
 NTS
 FROM STA 850+87.30 TO STA 852+44.00 (L)
 FROM STA 849+87.30 TO STA 852+44.00 (R)
 FROM STA 854+09.00 TO STA 856+65.70 (L)
 FROM STA 854+09.00 TO STA 855+65.70 (R)

LEGEND:

EXISTING

- ① EXISTING BITUMINOUS CONCRETE SURFACE COURSE CLASS 1, 1 3/4"
- ② EXISTING BITUMINOUS CONCRETE BINDER COURSE 1 3/4"
- ③ EXISTING BITUMINOUS BASE COURSE 8"
- ④ EXISTING SUB-BASE GRANULAR MATERIAL, TYPE B 4"
- ⑤ EXISTING AGGREGATE SHOULDERS, TYPE B

PROPOSED

- A) PROPOSED HOT-MIX ASPHALT SURFACE COURSE, MIX "C", N50, 1 1/2"
- B) PROPOSED LEVELING BINDER (MACHINE METHOD), N50, 3/4"
- C) PROPOSED LEVELING BINDER (MACHINE METHOD), N50, VAR. DEPTH
- D) PROPOSED HOT-MIX ASPHALT SHOULDERS, 8"
- E) PROPOSED AGGREGATE SHOULDERS, TYPE B
- F) PROPOSED STEEL PLATE BEAM GUARDRAIL, TYPE A, 6 FOOT POSTS
- G) PAVEMENT MARKING

NOTE:

- 1. SEE STRUCTURAL SHEETS FOR STAGE CONSTRUCTION.
- 2. SEE PLAN AND PROFILE SHEET FOR HMA SHOULDER STABILIZATION LOCATIONS.

 DELTA ENGINEERING GROUP, LLC <small>CONSULTING ENGINEERS, ARCHITECTS AND SURVEYORS</small> 111 W. JACKSON ST., SUITE 200 CHICAGO, IL 60604	USER NAME = kkhan DESIGNED DB DRAWN DB CHECKED AS PLOT DATE = 10/11/2011	REVISED - REVISED - REVISED - REVISED -	STATE OF ILLINOIS DEPARTMENT OF TRANSPORTATION	TYPICAL SECTIONS SN 006-0183 SHEET 1 OF 2		F.A.P. RTE. 587 SECTION (22 BR)BR COUNTY BUREAU TOTAL SHEETS 61 SHEET NO. 4	CONTRACT NO. 66995
	SCALE: NTS SHEET NO. 4 OF 61 SHEETS STA. TO STA.	FED. ROAD DIST. NO. ILLINOIS FED. AID PROJECT					