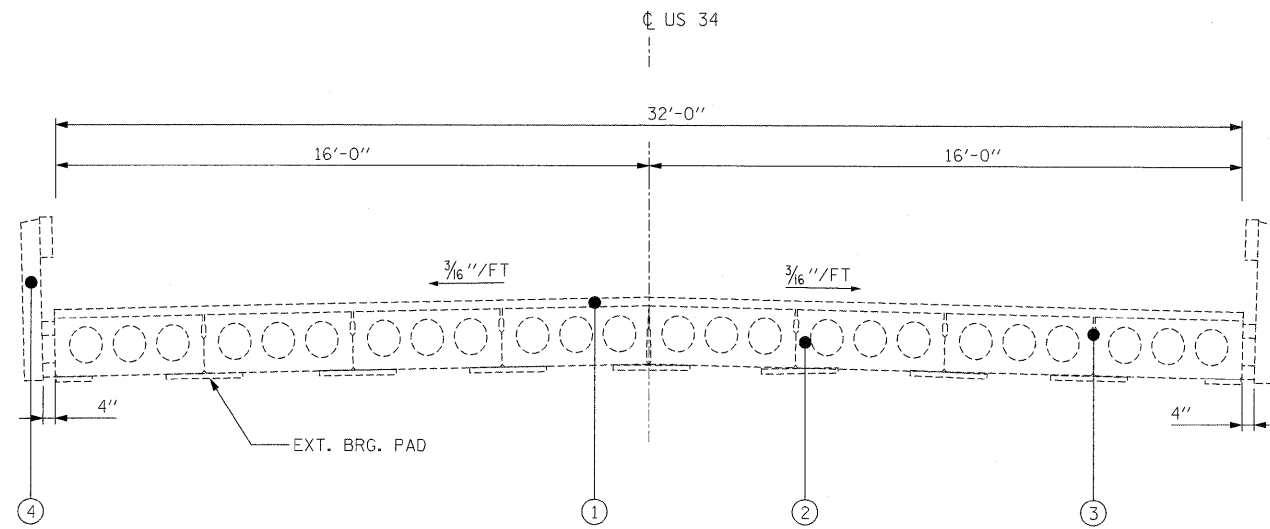


DATE	
BY	
PLAN	
NO.	
NO. BOOK	
CHECKED	
DATE	
FILE NAME	

DATE	
BY	
PROFILE	
NO.	
NO. BOOK	
CHECKED	
DATE	
FILE NAME	

BITUMINOUS MIXTURE REQUIREMENTS

PAY ITEM	HMA LEVEL BINDER	HMA SURFACE	HMA WIDENING	HMA SHOULDERS
PG GRADE	PG64-22	PG64-22	PG64-22	PG58-22
DESIGN AIR Voids	4.0% @ N50	4.0% @ N50	4.0% @ N50	2.0% @ N50
MIXTURE COMPOSITION	IL 9.5	IL 9.5	IL 19.0	IL 19.0
FRICTION AGGREGATE		MIXTURE C		
DENSITY TEST METHOD	SATISFACTION OF THE ENGINEER	CORES	SATISFACTION OF THE ENGINEER	SATISFACTION OF THE ENGINEER



④ EXISTING BRIDGE TYPICAL SECTION
NTS
FROM STA 852+87.83 TO STA 853+86.50

LEGEND:

EXISTING

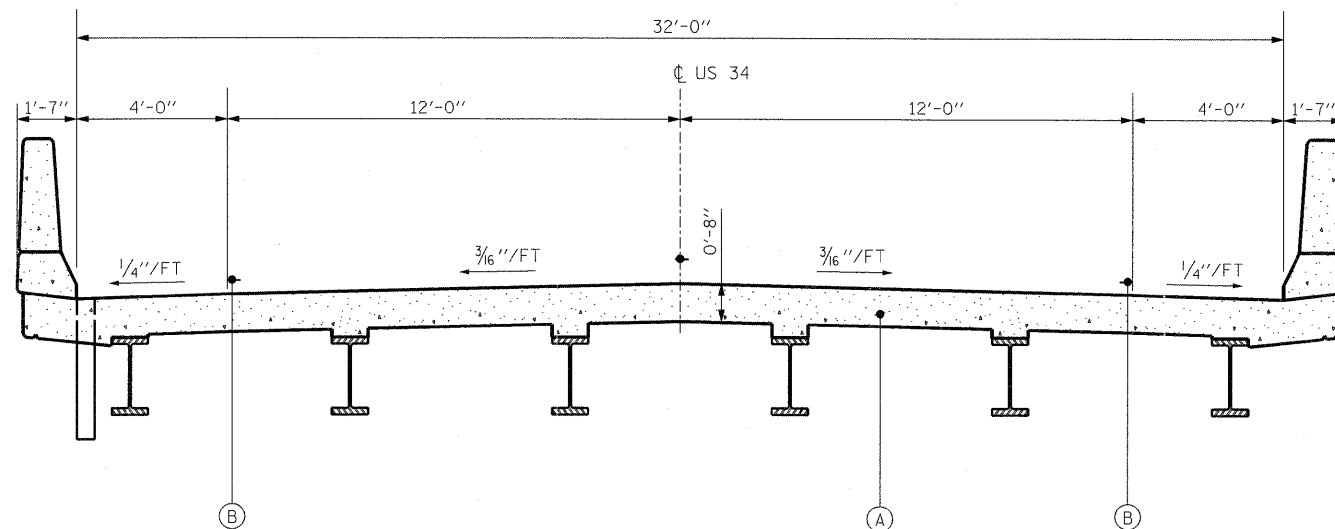
- ① EXISTING 2 1/2"(MIN) CLASS I DECK WATERPROOFING
- ② 8-17" PRECAST PRESTRESSED CONCRETE DECK BEAMS AT 4'-0"=32'-0"+ OVERRUN
- ③ EXISTING GROUTED KEY
- ④ EXISTING TYPE S-1 STEEL RAILING

PROPOSED

- (A) PROPOSED 8" DECK
- (B) PAVEMENT MARKING

NOTE:

FOR APPROACH SLAB ADJACENT TO BRIDGE, SEE STRUCTURAL PLANS.



⑤ PROPOSED BRIDGE TYPICAL SECTION LOOKING EAST
NTS
FROM STA 852+74.00 TO STA 853+79.00



USER NAME = kghan	DESIGNED DB	REVISED -
PLOT SCALE = #SCALE#	DRAWN DB	REVISED -
PLOT DATE = 10/11/2011	CHECKED AS	REVISED -
	DATE OCTOBER 14, 2011	REVISED -

**STATE OF ILLINOIS
DEPARTMENT OF TRANSPORTATION**

**TYPICAL SECTIONS
SN 006-0183 SHEET 2 OF 2**

F.A.P. RTE. 587	SECTION (22 BR)BR	COUNTY BUREAU	TOTAL SHEETS 61	SHEET NO. 5
FED. ROAD DIST. NO. ILLINOIS			FED. AID PROJECT	