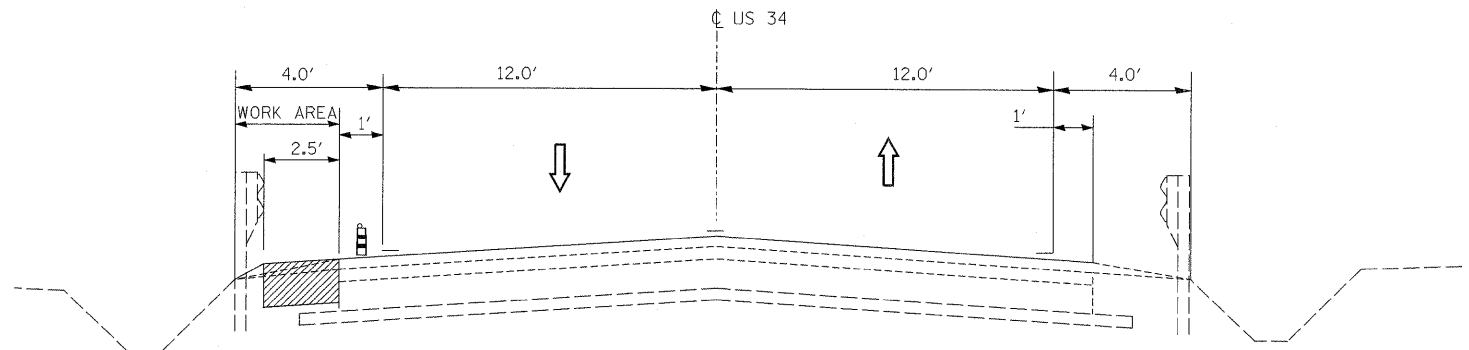
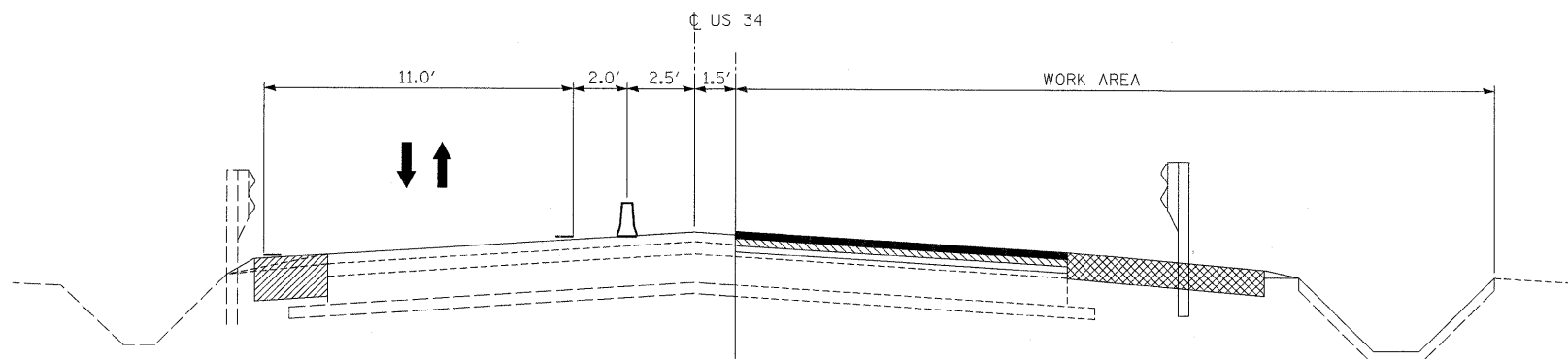


DATE	
BY	
PLAN	
SURVEYED	
ALIGNED	
CHECKED	
PT. OF WAY CHECKED	
NO. FILE NAME	
NOTE BOOK	
NO.	

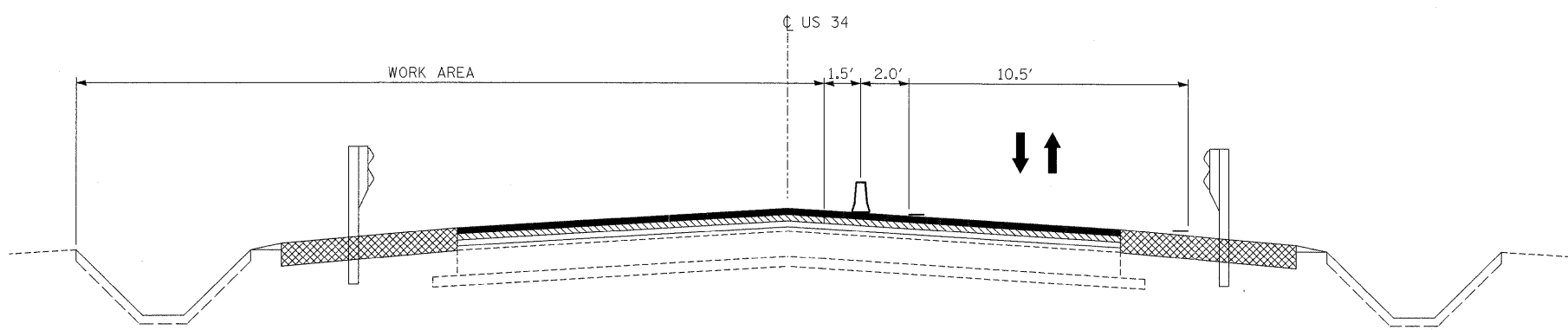
DATE	
BY	
PROFILE	
SURVEYED	
GRADES CHECKED	
B.M. NOTED	
STRUCTURE NOTATIONS CHECKED	
NOTE BOOK	
NO.	



① **PRE STAGE I**
 NTS
 FROM STA 847+50.00 TO STA 852+68.25
 FROM STA 854+06.08 TO STA 857+00.00



② **STAGE I**
 NTS
 FROM STA 847+50.00 TO STA 852+68.25
 FROM STA 854+06.08 TO STA 857+00.00



③ **STAGE II**
 NTS
 FROM STA 847+50.00 TO STA 852+68.25
 FROM STA 854+06.08 TO STA 857+00.00

MAINTENANCE OF TRAFFIC LEGEND

- HOT-MIX ASPHALT BASE COURSE WIDENING, 8"
- TEMPORARY CONCRETE BARRIER
- TYPE II BARRICADE OR DRUM W/ TYPE C STEADY BURN MONO-DIRECTIONAL LIGHT
- TRAFFIC DIRECTION
- PROPOSED TRAFFIC DIRECTION

NOTE:
 FOR PAVEMENT MARKING, SEE STAGE PLAN SHEETS



USER NAME =	kkhen	DESIGNED	DB	REVISED	-
		DRAWN	DB	REVISED	-
PLOT SCALE =	#SCALE#	CHECKED	AS	REVISED	-
PLOT DATE =	10/11/2011	DATE	OCTOBER 14, 2011	REVISED	-

**STATE OF ILLINOIS
 DEPARTMENT OF TRANSPORTATION**

MOT TYPICAL SECTIONS

SCALE: NTS SHEET NO. 10 OF 61 SHEETS STA. TO STA.

F.A.P. RTE.	SECTION	COUNTY	TOTAL SHEETS	SHEET NO.
587	(22 BR)BR	BUREAU	61	10
FED. ROAD DIST. NO. ILLINOIS FED. AID PROJECT			CONTRACT NO. 66995	