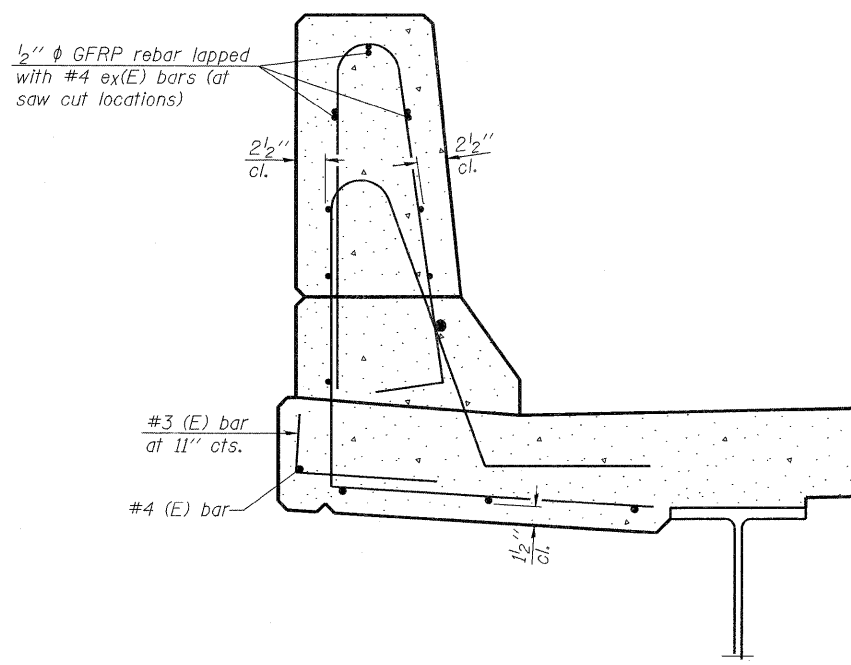


SECTION
(Showing dimensions)



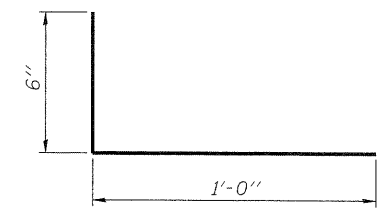
SECTION
(Showing reinforcement clearances for slip forming and additional reinforcement bars)

GENERAL NOTES

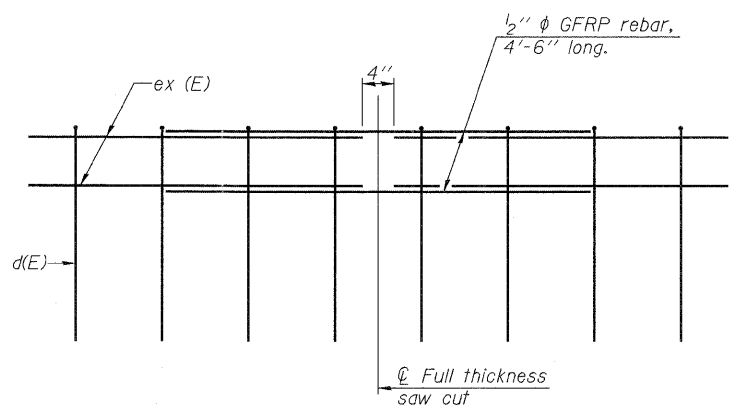
All dimensions shall remain the same as shown on superstructure details, except dimensions A and B which are to be revised as shown to provide additional clearance. Additional concrete needed to revise dimension A and B = 0.0165 cu. yds./ft. of parapet.

Place aluminum sheet in curb portion at and near piers. Full thickness saw cut at all joint locations in lieu of cork joint filler.

Steel superstructure shown. Other superstructure types similar.



#3 (E) BAR



GFRP REBAR STIFFENING DETAIL
(Place as shown in parapet section at each parapet joint location.)

SFP-34

7-1-10



USER NAME = kkhan	DESIGNED - SK	REVISED -
PLOT SCALE =	CHECKED - GBC/SMK	REVISED -
PLOT DATE = 10/11/2011	DRAWN - SK	REVISED -
	CHECKED - GBC/SMK	REVISED -

STATE OF ILLINOIS
DEPARTMENT OF TRANSPORTATION

CONCRETE PARAPET SLIPFORMING OPTION
STRUCTURE NO. 006-0183
SHEET NO. 12 OF 26 SHEETS

F.A.P. RTE.	SECTION	COUNTY	TOTAL SHEETS	SHEET NO.
587	(22 BR/BR	BUREAU	61	28
				CONTRACT NO. 66995
ILLINOIS FED. AID PROJECT				