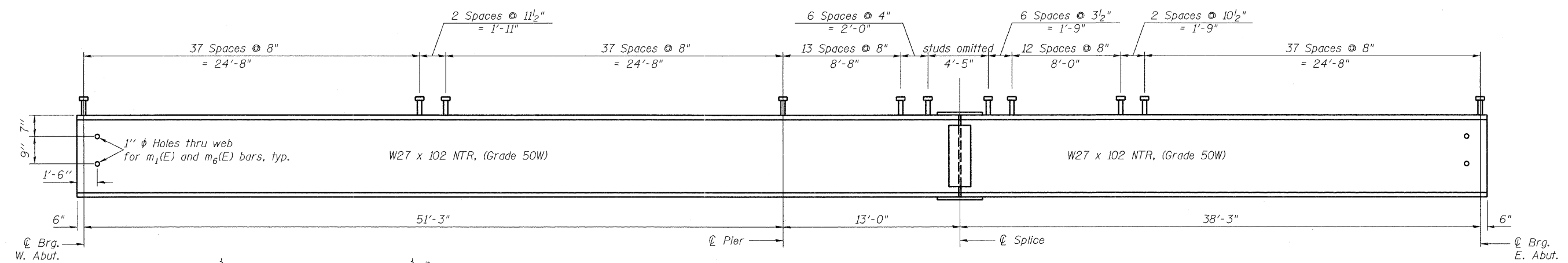
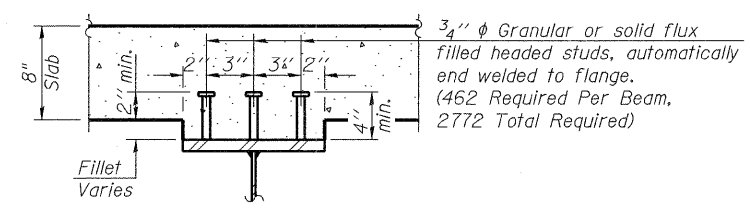


**PLAN**



**BEAM ELEVATION**



**SECTION A-A**

**NOTES:**

1. All diaphragms shall be installed as steel is erected and secured with erection pins and bolts except as otherwise noted. Individual diaphragms at supports may be temporarily disconnected to install bearing anchor rods.
2. "D" - Denotes Interior Diaphragm. See Sheet 17 of 26 for Details
3. Load carrying components designated "NTR" shall conform to the Impact Testing Requirements, Zone 2.



USER NAME = kkhhan	DESIGNED - SK	REVISED -
	CHECKED - GBC/SMK	REVISED -
PLOT SCALE =	DRAWN - SK	REVISED -
PLOT DATE = 11/23/2011	CHECKED - GBC/SMK	REVISED -

**STATE OF ILLINOIS  
DEPARTMENT OF TRANSPORTATION**

**FRAMING PLAN  
STRUCTURE NO. 006-0183**

SHEET NO. 16 OF 26 SHEETS

F.A.P. RTE. 587	SECTION (22 BR/BR)	COUNTY BUREAU	TOTAL SHEETS 61	SHEET NO. 32
			CONTRACT NO. 66995	
ILLINOIS FED. AID PROJECT				