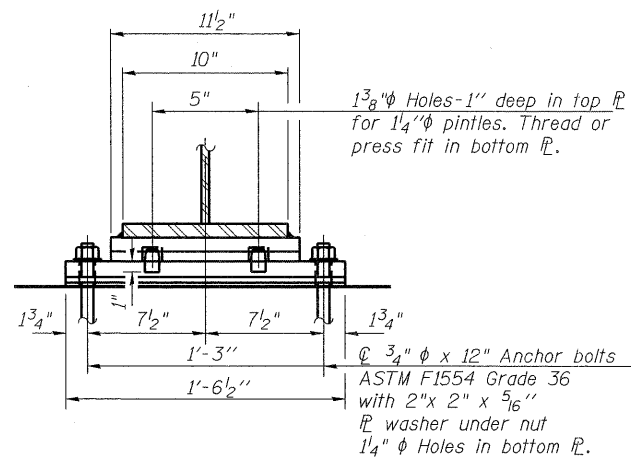
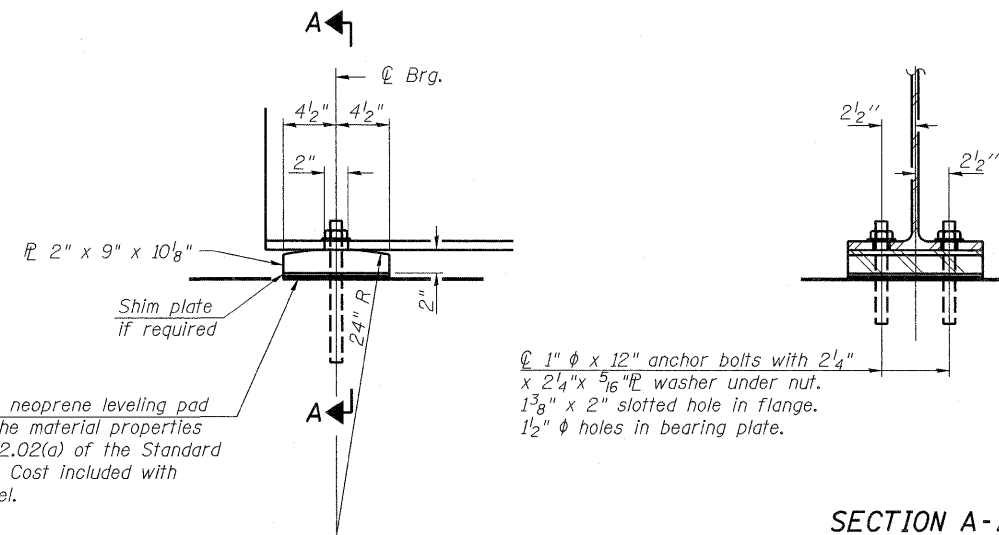


ELEVATION AT PIER



SECTION C-C

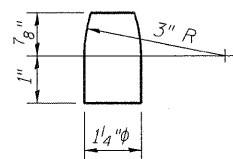


ELEVATION AT ABUTMENT

SECTION A-A

FIXED BEARING
(6 Required)

FIXED BEARING
(12 Required)



PINTLE

Notes:

Anchor bolts shall be ASTM F1554 all-thread (or an Engineer-approved alternate material) of the grade(s) and diameter(s) specified. The corresponding specified grade of AASHTO M314 anchor bolts may be used in lieu of ASTM F1554.

Anchor bolts of fixed bearings may be either cast in place or installed in holes drilled after the supported member is in place.

Drilled and set anchor bolts shall be installed according to Article 521.06 of the Standard Specifications.

Two 1/8 in. adjusting shims shall be provided for each bearing in addition to all other plates or shims and placed as shown on bearing details.

All structural steel for the bearings (including plates and pintles) shall be AASHTO M270 Grade 50W.

BILL OF MATERIAL

Item	Unit	Total
Anchor Bolts, 3/4"	Each	12
Anchor Bolts, 1"	Each	24

<p>DELTA ENGINEERING GROUP, LLC CONSULTING ENGINEERS, ARCHITECTS, SURVEYORS 111 W. JACKSON ROAD, SUITE 200 CHICAGO, IL 60604</p>	USER NAME = kkhan	DESIGNED - SK	REVISED -	STATE OF ILLINOIS DEPARTMENT OF TRANSPORTATION	BEARING DETAILS STRUCTURE NO. 006-0183	F.A.P. RTE. 587	SECTION (22 BRIBR)	COUNTY BUREAU	TOTAL SHEETS 61	SHEET NO. 34
	PLOT SCALE =	CHECKED - GBC/SMK	REVISED -			CONTRACT NO. 66995				
	PLOT DATE = 11/23/2011	DRAWN - SK	REVISED -			ILLINOIS FED. AID PROJECT				
		CHECKED - GBC/SMK	REVISED -			SHEET NO. 18 OF 26 SHEETS				