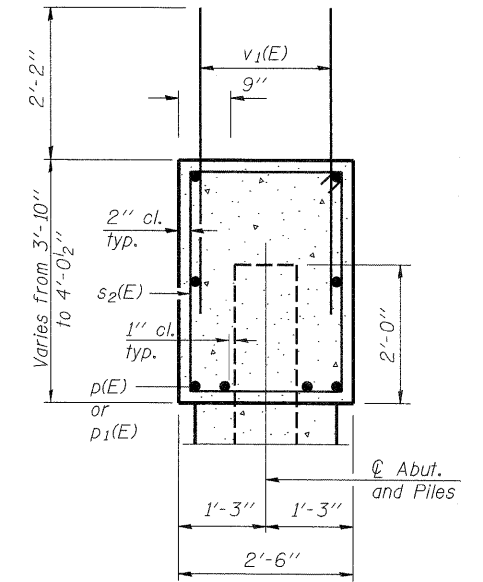
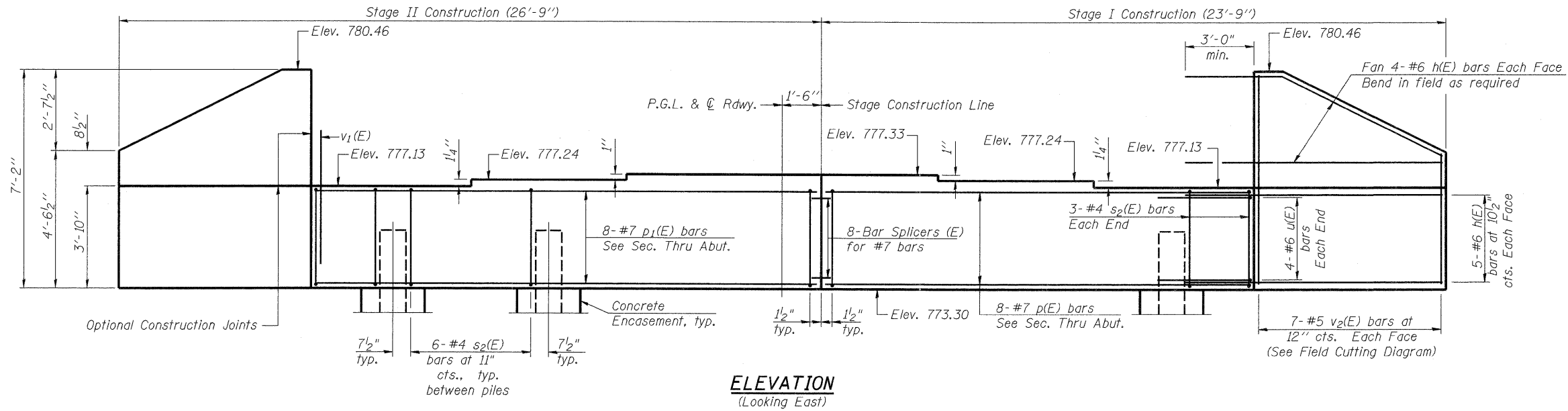
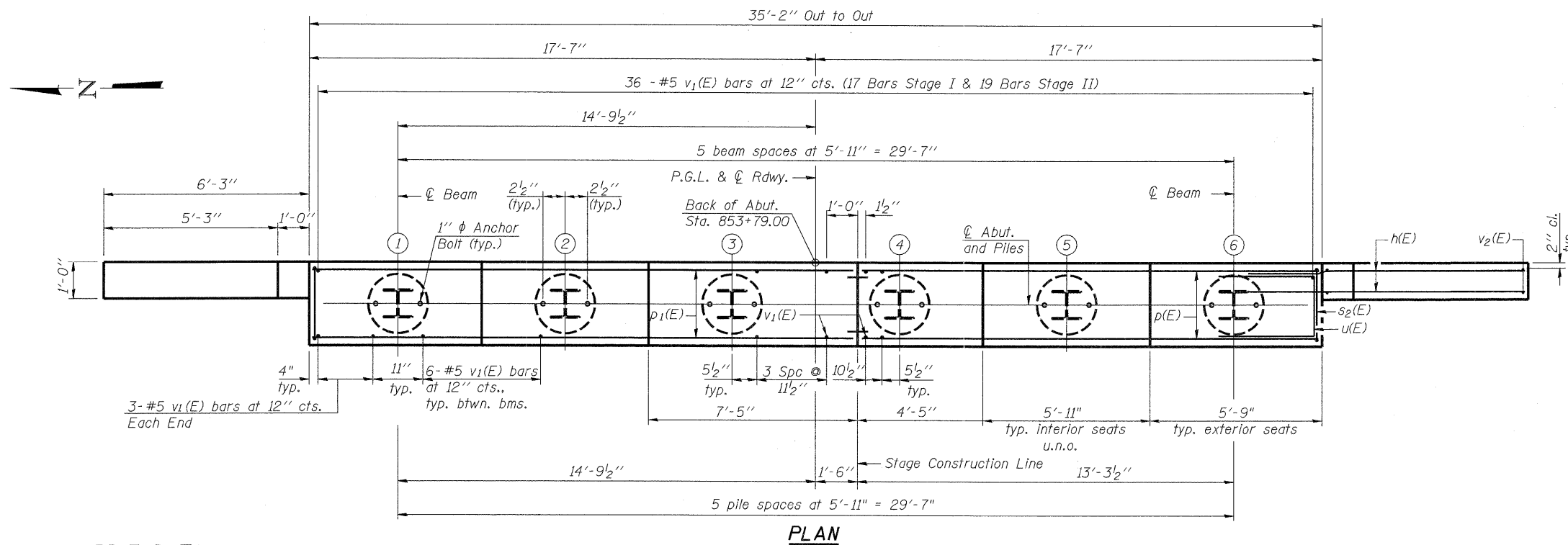


Notes:
Four steps monolithically with cap.



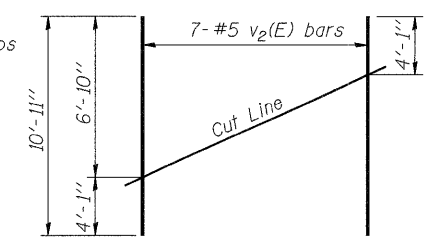
SECTION THRU ABUT.



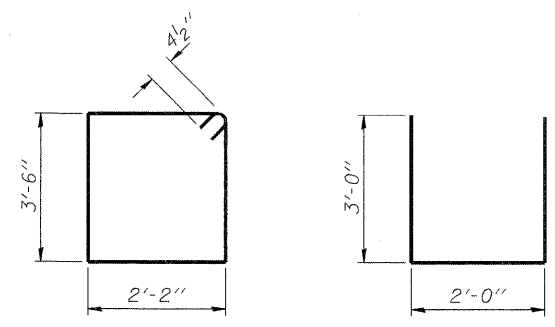
PLAN

PILE DATA

Type: HP 10 x 42
Nominal Required Bearing: 234 Kips
Factored Resistance Available: 129 Kips
Est. Length: 33 feet
No. Production Piles: 5
No. Test Piles: 1



FIELD CUTTING DIAGRAM
Order v2(E) bars full length. Cut as shown and use remainder of bars in opposite face.



BAR s2(E) **BAR u(E)**

BILL OF MATERIAL

Bar	No.	Size	Length	Shape
h(E)	36	#6	9'-11"	—
p(E)	8	#7	15'-9"	—
p1(E)	8	#7	18'-9"	—
s2(E)	36	#4	12'-1"	□
u(E)	8	#6	8'-0"	—
v1(E)	72	#5	4'-4"	—
v2(E)	14	#5	10'-11"	—
Structure Excavation			Cu. Yd.	55.5
Concrete Structures			Cu. Yd.	15.9
Reinforcement Bars, Epoxy Coated			Pound	2,020
Furnishing Steel Piles HP 10x42			Foot	165
Driving Piles			Foot	165
Test Pile Steel HP 10x42			Each	1
Concrete Encasement			Cu. Yd.	2.1
Bar Splicers			Each	8

For details of Bar Splicers, see sheet 23 of 26.
For details of piles and Concrete Encasement, see sheet 22 of 26.