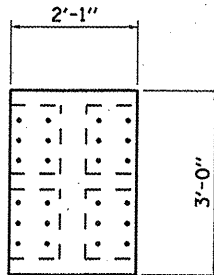
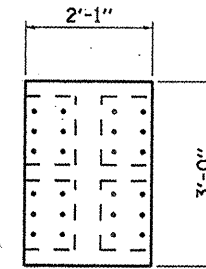


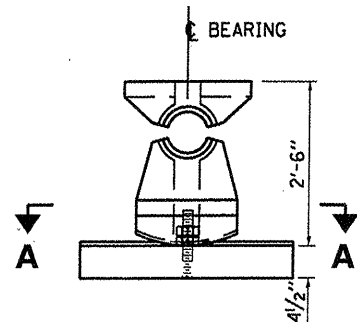
TOP PLATE



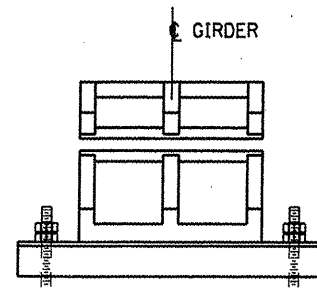
TOP PLATE



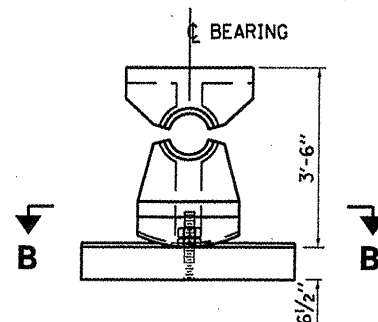
TOP PLATE



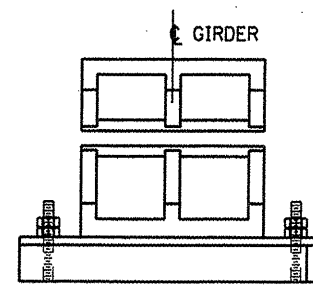
ELEVATION



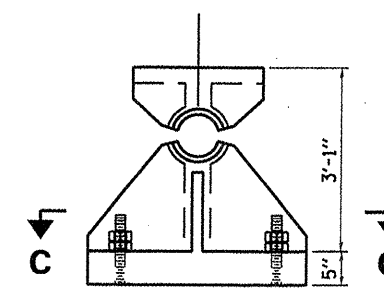
END VIEW



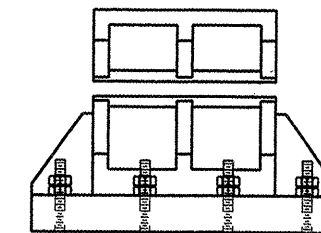
ELEVATION



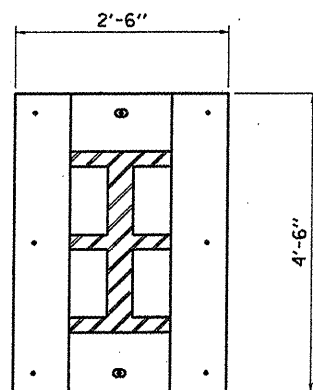
END VIEW



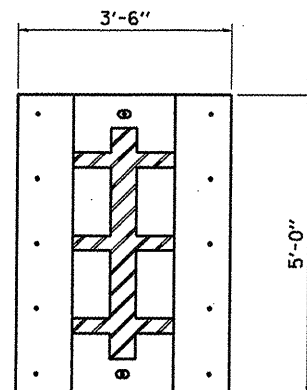
ELEVATION



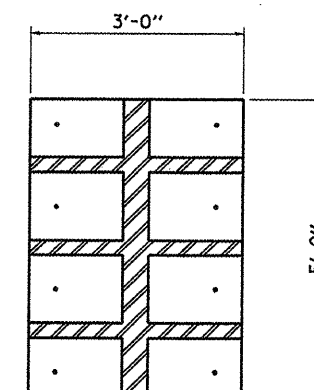
END VIEW



SECTION A-A



SECTION B-B



SECTION C-C

STEEL FRAMING - STEEL BEARINGS

SN 050-0180
 FAP ROUTE 68 (IL 23)
 OVER ILLINOIS RIVER
 SECTION (12R)-2
 LASALLE COUNTY

FILE NAME =	USER NAME = woodshankr1	DESIGNED -	REVISED -
c:\pwork\pwork\woodshankr1\d0260492	0366933-shs-deta1a.dgn	DRAWN -	REVISED -
	PLOT SCALE = 100.0000' / 1"	CHECKED -	REVISED -
	PLOT DATE = 11/2/2011	DATE -	REVISED -

STATE OF ILLINOIS
 DEPARTMENT OF TRANSPORTATION

**STEEL BEARING DETAILS
 FOR SN 050-0180**

SCALE: SHEET NO. 4 OF 9 SHEETS STA. TO STA.

F.A.P. RTE.	SECTION	COUNTY	TOTAL SHEETS	SHEET NO.
68	(12R)-3	LASALLE	13	8
CONTRACT NO. 66833			ILLINOIS FED. AID PROJECT	