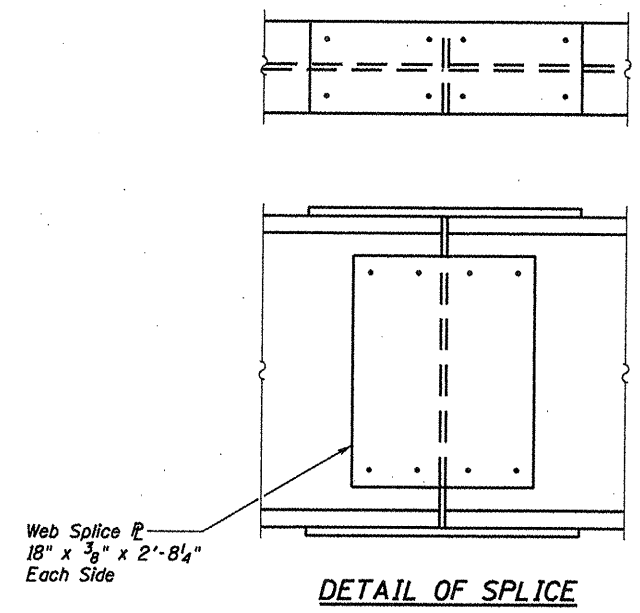
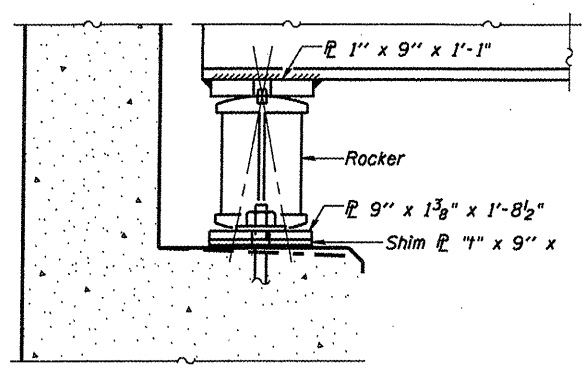


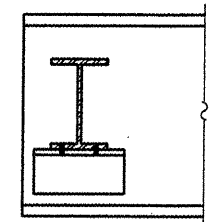
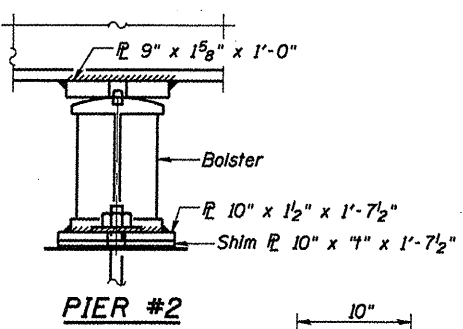
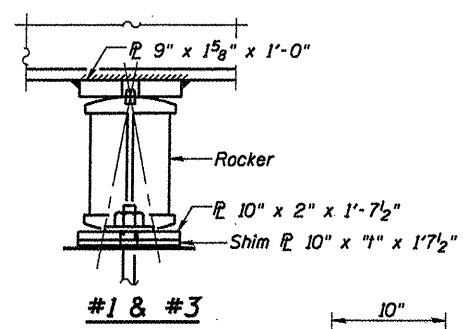
STEEL FRAMING PLAN



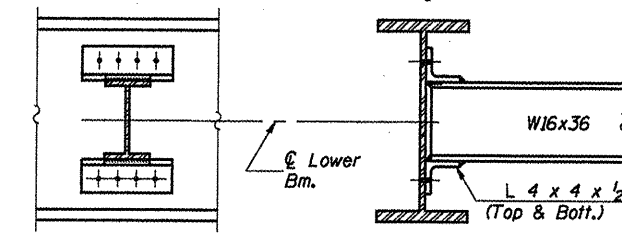
DETAIL OF SPLICE



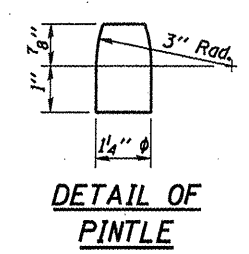
SECTION AT ABUTMENT



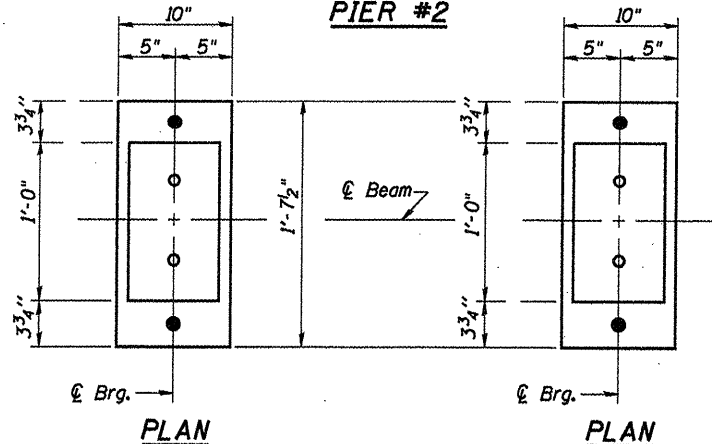
DIAPHRAGM D
Required



DIAPHRAGM D1 & D2
100-D1 Required
30-D2 Required

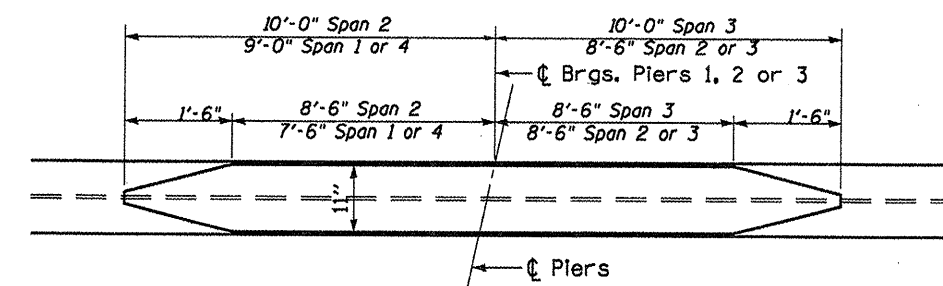


DETAIL OF PINTLE

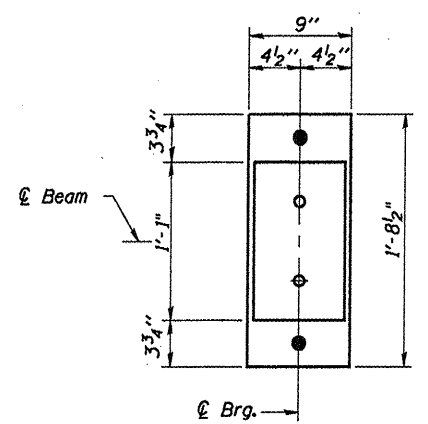


PLAN

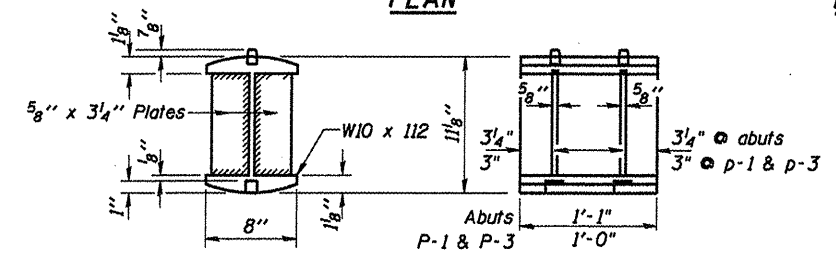
PLAN



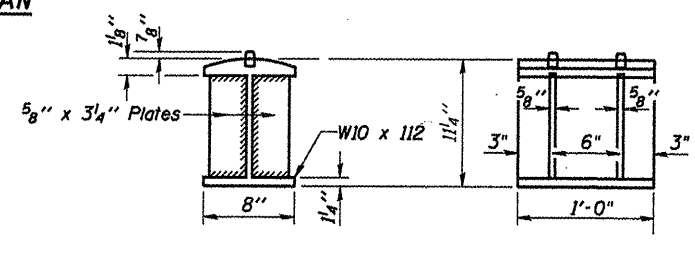
DETAIL OF COVER PLATES
(At Piers 1, 2 & 3)



PLAN



DETAIL OF ROCKER
AT ABUTS, PIERS 1 & 3



DETAIL OF BOLSTER
AT PIER 2

STRUCTURAL STEEL DETAILS
SN 046-0039 (EB) & SN 046-0040 (WB)
OVER KANKAKEE RIVER
SECTION (1R-B)BP
KANKAKEE COUNTY
STA. 228 + 10.95

FILE NAME =	USER NAME = woodshankr1	DESIGNED - RON WOODSHANK	REVISED -
c:\pwwork\pwwork\woodshankr1\d0228107\0366B44-shd-deta1.dgn		DRAWN - RON WOODSHANK	REVISED -
		CHECKED -	REVISED -
		DATE -	REVISED -

STATE OF ILLINOIS
DEPARTMENT OF TRANSPORTATION

STRUCTURAL STEEL DETAILS
FOR SN 046-0039 & SN 046-0040
SCALE: _____ SHEET NO. 3 OF 3 SHEETS STA. _____ TO STA. _____

F.A.P. RTE. 330	SECTION (1R-B)BP	COUNTY KANKAKEE	TOTAL SHEETS 10	SHEET NO. 10
			CONTRACT NO. 66B44	
ILLINOIS FED. AID PROJ. CT				