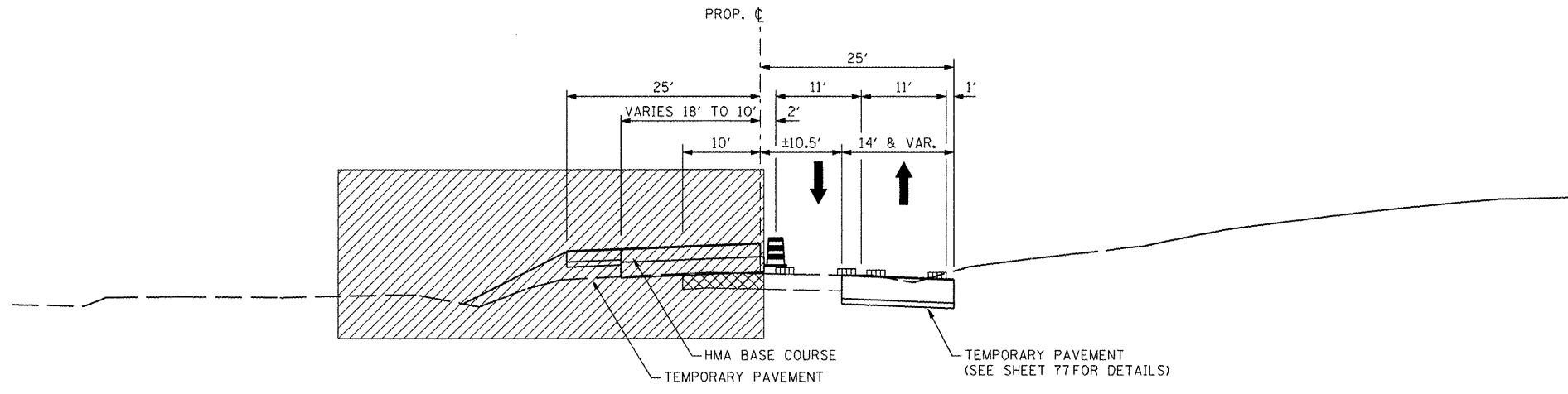
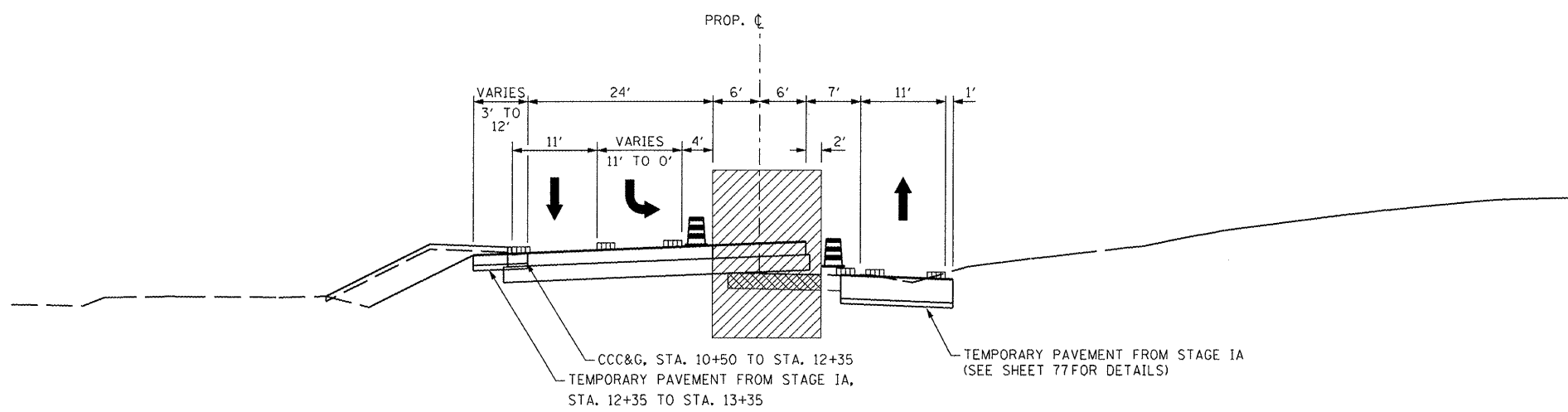


MAINTENANCE OF TRAFFIC TYPICAL SECTION - STAGE IA
STA. 10+50.00 TO STA. 13+35.00



MAINTENANCE OF TRAFFIC TYPICAL SECTION - STAGE IA
STA. 13+35.00 TO STA. 15+00.00



MAINTENANCE OF TRAFFIC TYPICAL SECTION - STAGE IB
STA. 10+50.00 TO STA. 13+35.00

- LEGEND**
- ▨ EXISTING PAVEMENT MARKING
 - ▤ TEMPORARY PAVEMENT MARKING
 - ▬ PROPOSED PAVEMENT MARKING
 - ⊞ DRUM, WITH STEADY BURNING LIGHT
 - ⏏ TEMPORARY CONCRETE BARRIER
 - ▨ CONSTRUCTION THIS STAGE
 - ⏏ VERTICAL PANEL WITH STEADY BURNING LIGHT
 - ⇩ EXISTING TRAFFIC LANE IN USE
 - ⇩ TRAFFIC LANE

FILE NAME =	USER NAME = IDOT	DESIGNED -	REVISED -
xi\projects\200803566\dgn\04-Rte8-shr-S	eging-Typ-NSchool-1.dgn	DRAWN -	REVISED -
		CHECKED -	REVISED -
		DATE - 10-21-11	REVISED -

**STATE OF ILLINOIS
DEPARTMENT OF TRANSPORTATION**

**NORTH SCHOOL STREET
MAINTENANCE OF TRAFFIC - TYPICAL SECTIONS - STAGE I**

F.A.P. RTE.	SECTION	COUNTY	TOTAL SHEETS	SHEET NO.
399	36 R-7	TAZEWELL	390	80
CONTRACT NO. 68370				
ILLINOIS FED. AID PROJECT				

SCALE: AS SHOWN SHEET NO. OF SHEETS STA. TO STA.