

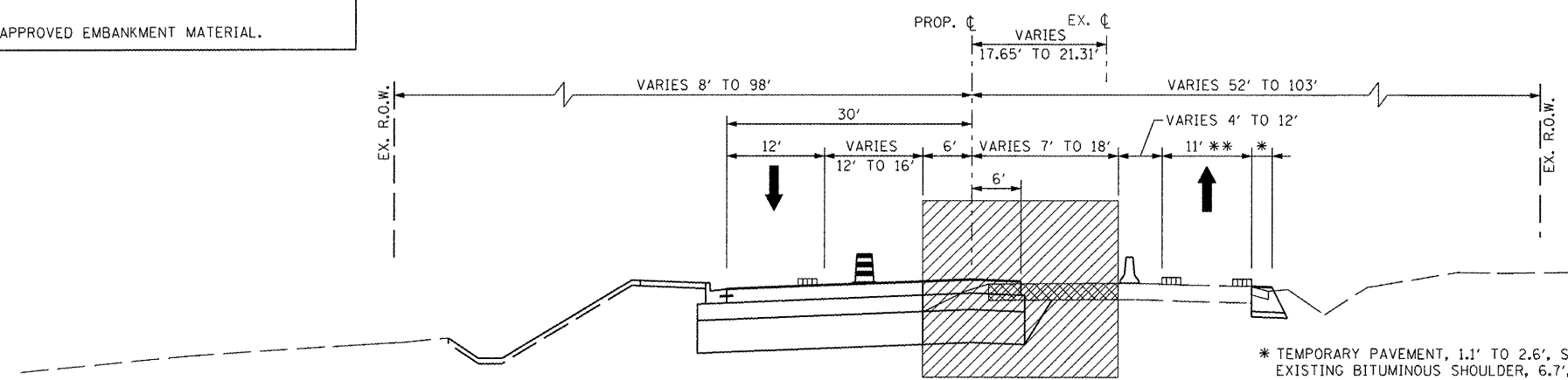
\* VARIES 11' TO 0' STA. 227+00 TO STA. 231+75.00 AND IS 0' STA. 231+75.00 TO STA. 258+00.00  
 \*\* VARIES 6' TO 4'

- LEGEND**
- EXISTING PAVEMENT MARKING
  - TEMPORARY PAVEMENT MARKING
  - PROPOSED PAVEMENT MARKING
  - DRUM, WITH STEADY BURNING LIGHT
  - TEMPORARY CONCRETE BARRIER
  - CONSTRUCTION THIS STAGE
  - VERTICAL PANEL WITH STEADY BURNING LIGHT
  - EXISTING TRAFFIC LANE IN USE
  - TRAFFIC LANE

**MAINTENANCE OF TRAFFIC TYPICAL SECTION**  
 STA. 227+00.00 TO STA. 258+00.00

REMOVAL AND DISPOSAL OF UNSUITABLE MATERIAL *		
STATION RANGE	WIDTH	DEPTH BELOW SUB-GRADE
STA. 222+55.00 TO STA. 225+20.00	33.58' - 45.58' RT. TO 33.58' LT.	2.00'
STA. 238+10.00 TO STA. 240+27.00	33.58' RT. TO 33.58' LT.	2.00'
STA. 240+27.00 TO STA. 244+20.00	EX. LT. EOP TO 33.58' LT.	1.00' **
STA. 244+20.00 TO STA. 247+82.00	33.58' RT. TO 33.58' LT.	2.00'
STA. 247+82.00 TO STA. 253+72.00	EX. LT. EOP TO 33.58' LT.	0.67' **
STA. 253+72.00 TO STA. 259+77.00	33.58' RT. TO 33.58' LT.	2.00'
STA. 259+77.00 TO STA. 260+95.00	41.17' RT. TO 41.17' LT.	2.00'

\* ALL EXCAVATED MATERIAL FROM THE NATURAL GROUND SURFACE TO DEPTH BELOW SUBGRADE AS SHOWN IS UNSUITABLE AND IS TO BE WASTED OFF SITE, WITH THE EXCEPTION OF TOPSOIL EXCAVATION.  
 \*\* UNDERCUT AREA TO BE REPLACED WITH APPROVED EMBANKMENT MATERIAL.



\* TEMPORARY PAVEMENT, 1.1' TO 2.6', STA. 258+00.00 TO STA. 259+32.10  
 EXISTING BITUMINOUS SHOULDER, 6.7', STA. 259+32.10 TO STA. 259+92.00  
 \*\* EAST BOUND TRAFFIC REMAINS IN PLACE FROM STAGE I

**MAINTENANCE OF TRAFFIC TYPICAL SECTION**  
 STA. 258+00.00 TO STA. 266+00.00

FILE NAME =	USER NAME = 1007	DESIGNED -	REVISED -
x:\projects\200803566\dgn\04-Rte8-sh1-5	aging-Typ-2-2.dgn	DRAWN -	REVISED -
	PLOT SCALE = 20.624 FT / IN.	CHECKED -	REVISED -
	PLOT DATE = 10/21/2011	DATE = 10-21-11	REVISED -

**STATE OF ILLINOIS**  
**DEPARTMENT OF TRANSPORTATION**

**FAP 399 (IL RTE. 8)**  
**MAINTENANCE OF TRAFFIC - TYPICAL SECTIONS - STAGE II**

SCALE: AS SHOWN SHEET NO. OF SHEETS STA. TO STA.

F.A.P. RTE.	SECTION	COUNTY	TOTAL SHEETS	SHEET NO.
399	36 R-7	TAZEWELL	390	84
CONTRACT NO. 68370				
ILLINOIS FED. AID PROJECT				