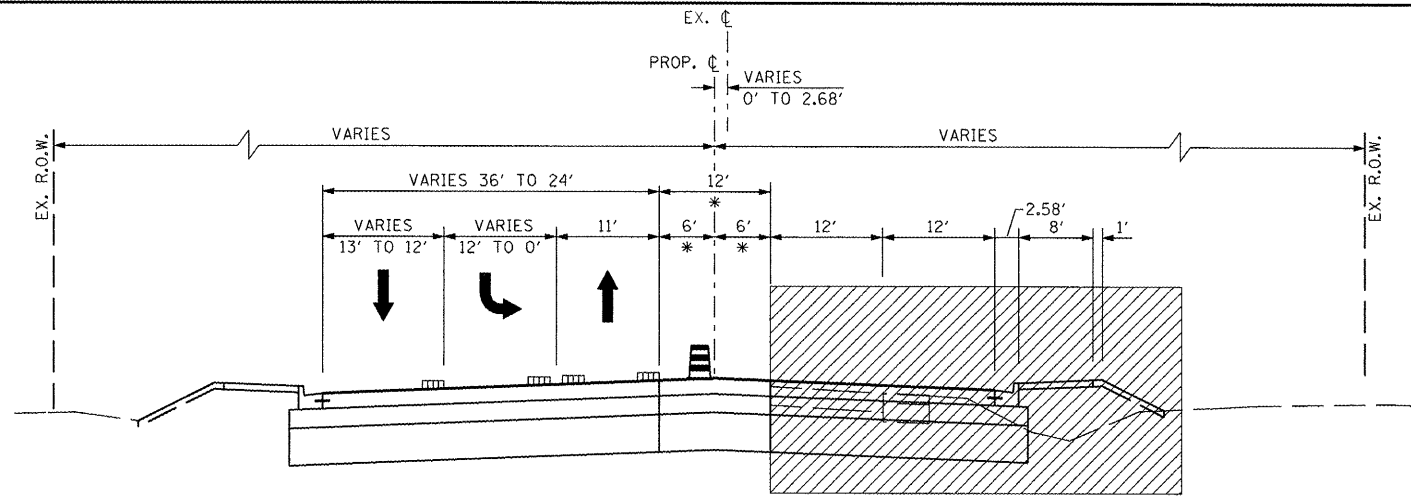


REMOVAL AND DISPOSAL OF UNSUITABLE MATERIAL *		
STATION RANGE	WIDTH	DEPTH BELOW SUB-GRADE
STA. 222+55.00 TO STA. 225+20.00	33.58' - 45.58' RT. TO 33.58' LT.	2.00'
STA. 238+10.00 TO STA. 240+27.00	33.58' RT. TO 33.58' LT.	2.00'
STA. 240+27.00 TO STA. 244+20.00	EX. LT. EOP TO 33.58' LT.	1.00' **
STA. 244+20.00 TO STA. 247+82.00	33.58' RT. TO 33.58' LT.	2.00'
STA. 247+82.00 TO STA. 253+72.00	EX. LT. EOP TO 33.58' LT.	0.67' **
STA. 253+72.00 TO STA. 259+77.00	33.58' RT. TO 33.58' LT.	2.00' **
STA. 259+77.00 TO STA. 260+95.00	41.17' RT. TO 41.17' LT.	2.00'

* ALL EXCAVATED MATERIAL FROM THE NATURAL GROUND SURFACE TO DEPTH BELOW SUBGRADE AS SHOWN IS UNSUITABLE AND IS TO BE WASTED OFF SITE, WITH THE EXCEPTION OF TOPSOIL EXCAVATION.

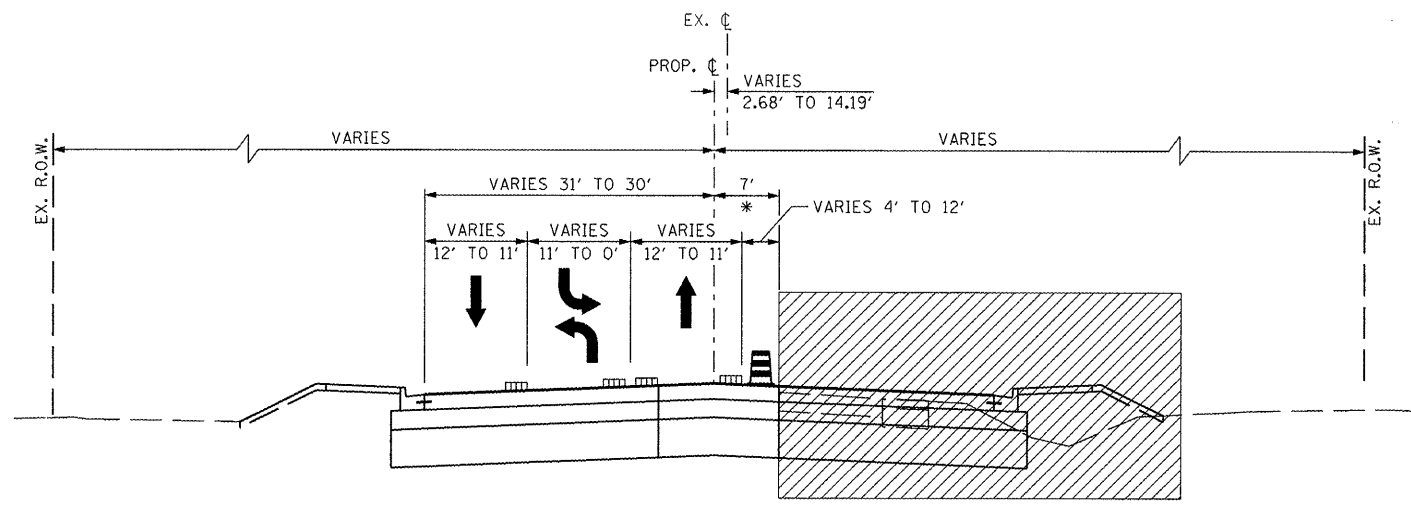
** UNDERCUT AREA TO BE REPLACED WITH APPROVED EMBANKMENT MATERIAL OR AS APPROVED BY THE ENGINEER.



* VARIES 6' TO 7' & TOTAL WIDTH VARIES 12' TO 14'

MAINTENANCE OF TRAFFIC TYPICAL SECTION

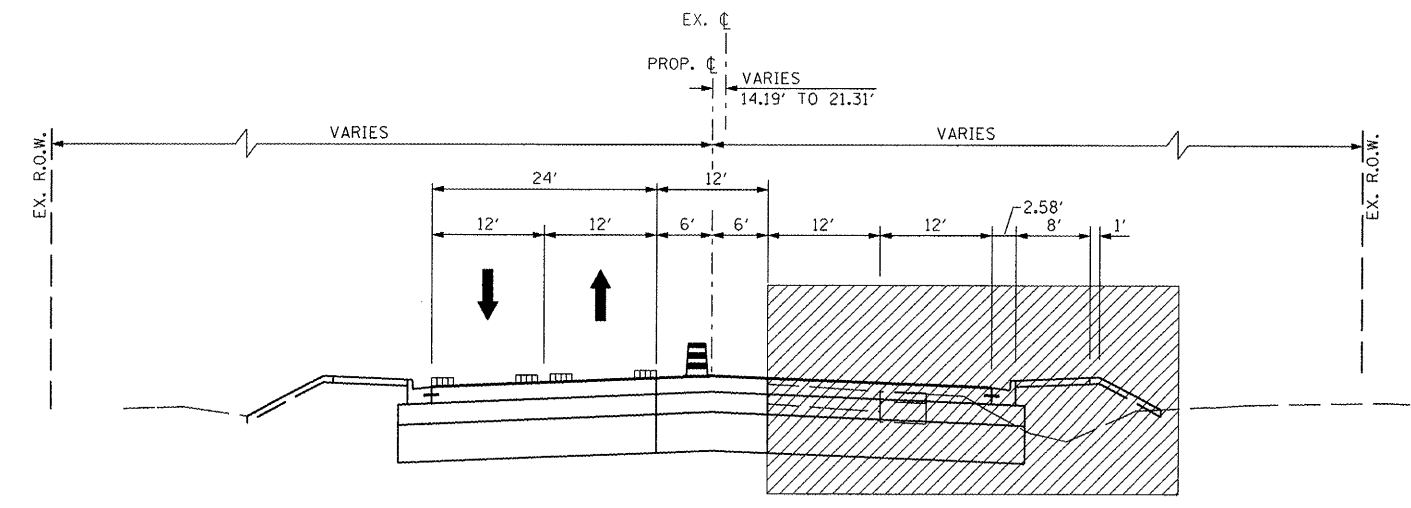
STA. 201+30.00 TO STA. 223+43.00



* VARIES 6' TO 7'

MAINTENANCE OF TRAFFIC TYPICAL SECTION

STA. 223+43.00 TO STA. 232+00.00



MAINTENANCE OF TRAFFIC TYPICAL SECTION

STA. 232+00.00 TO STA. 259+92.13

LEGEND

- EXISTING PAVEMENT MARKING
- TEMPORARY PAVEMENT MARKING
- PROPOSED PAVEMENT MARKING
- DRUM, WITH STEADY BURNING LIGHT
- TEMPORARY CONCRETE BARRIER
- CONSTRUCTION THIS STAGE
- VERTICAL PANEL WITH STEADY BURNING LIGHT
- EXISTING TRAFFIC LANE IN USE
- TRAFFIC LANE

FILE NAME =	USER NAME = IDOT	DESIGNED -	REVISED -
x:\projects\200803566\dgn\04-Rte8-sht-S	aging-Typ-3-1.dgn	DRAWN -	REVISED -
	PLOT SCALE = 20.624 FT / IN.	CHECKED -	REVISED -
	PLOT DATE = 10/21/2011	DATE = 10-21-11	REVISED -

STATE OF ILLINOIS
DEPARTMENT OF TRANSPORTATION

FAP 399 (IL RTE. 8)
MAINTENANCE OF TRAFFIC - TYPICAL SECTIONS - STAGE III

SCALE: AS SHOWN SHEET NO. OF SHEETS STA. TO STA.

F.A.P. RTE.	SECTION	COUNTY	TOTAL SHEETS	SHEET NO.
399	36 R-7	TAZEWELL	390	86
CONTRACT NO. 68370				
ILLINOIS FED. AID PROJECT				