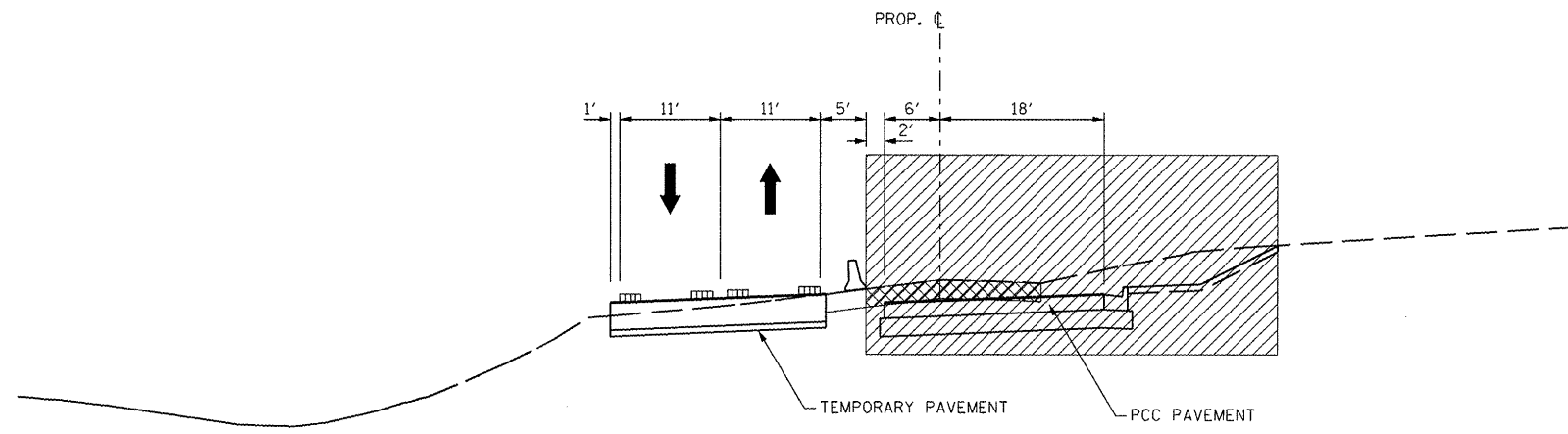
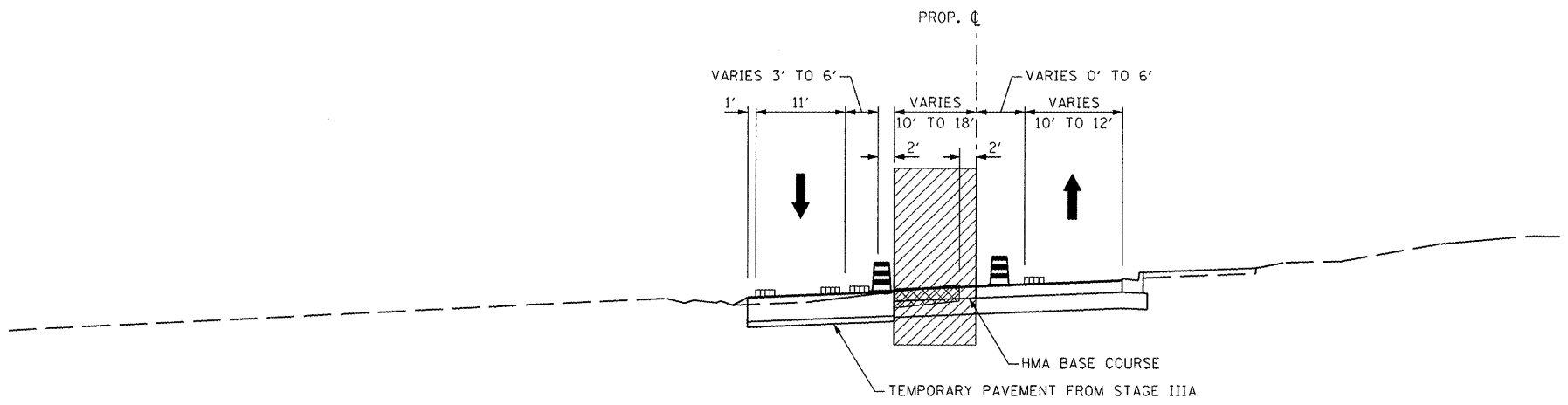


**MAINTENANCE OF TRAFFIC TYPICAL SECTION – STAGE IIIA**  
 STA. 5+05.00 TO STA. 7+59.70



**MAINTENANCE OF TRAFFIC TYPICAL SECTION – STAGE IIIA**  
 STA. 7+59.70 TO STA. 9+60.00



**MAINTENANCE OF TRAFFIC TYPICAL SECTION – STAGE IIIB**  
 STA. 5+05.00 TO STA. 7+59.70

- LEGEND**
- ▨ EXISTING PAVEMENT MARKING
  - ▤ TEMPORARY PAVEMENT MARKING
  - ▩ PROPOSED PAVEMENT MARKING
  - ⊞ DRUM, WITH STEADY BURNING LIGHT
  - ⚠ TEMPORARY CONCRETE BARRIER
  - ▨ CONSTRUCTION THIS STAGE
  - ⊞ VERTICAL PANEL WITH STEADY BURNING LIGHT
  - ⇩ EXISTING TRAFFIC LANE IN USE
  - ⇩ TRAFFIC LANE

FILE NAME =	USER NAME = IDOT	DESIGNED -	REVISED -
x:\projects\200803566\dgn\04-Rte8-sh-t-S	aging-Typ-9School-1.dgn	DRAWN -	REVISED -
	PLOT SCALE = 20.624 FT / IN.	CHECKED -	REVISED -
	PLOT DATE = 10/21/2011	DATE - 10-21-11	REVISED -

**STATE OF ILLINOIS  
 DEPARTMENT OF TRANSPORTATION**

**SOUTH SCHOOL STREET  
 MAINTENANCE OF TRAFFIC – TYPICAL SECTIONS – STAGE III**

SCALE: AS SHOWN SHEET NO. OF SHEETS STA. TO STA.

F.A.P. RTE.	SECTION	COUNTY	TOTAL SHEETS	SHEET NO.
399	36 R-7	TAZEWELL	390	88
CONTRACT NO. 68370				
ILLINOIS FED. AID PROJECT				