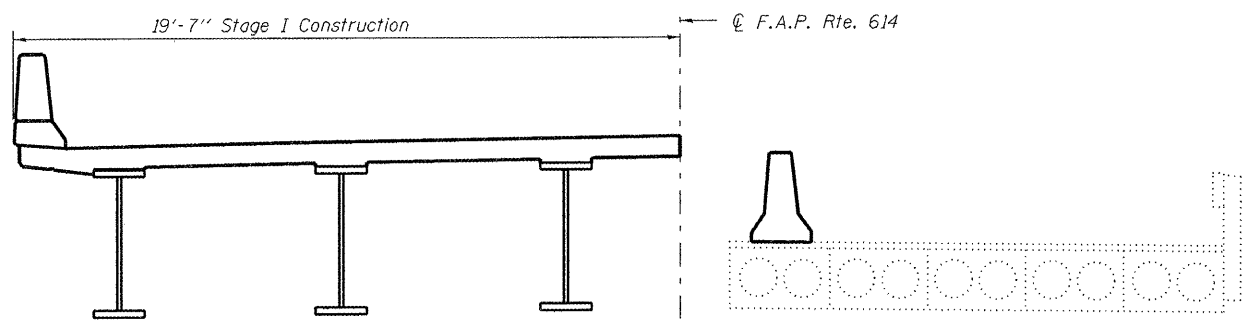
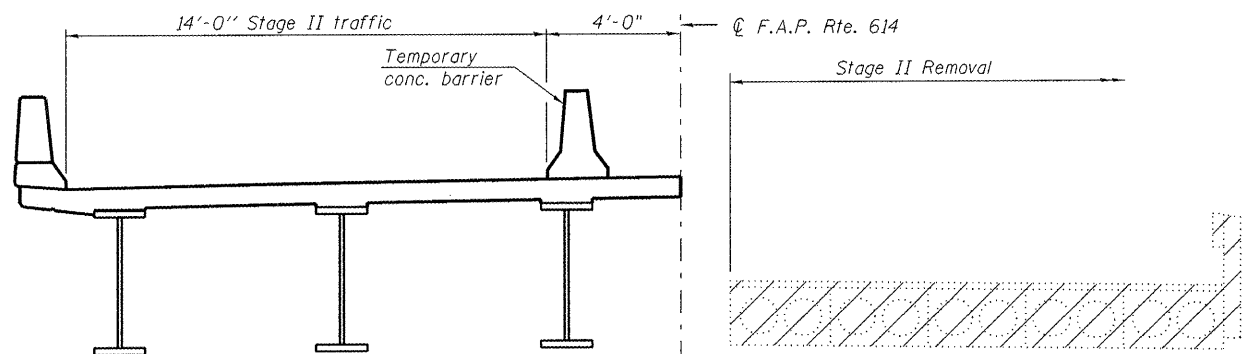


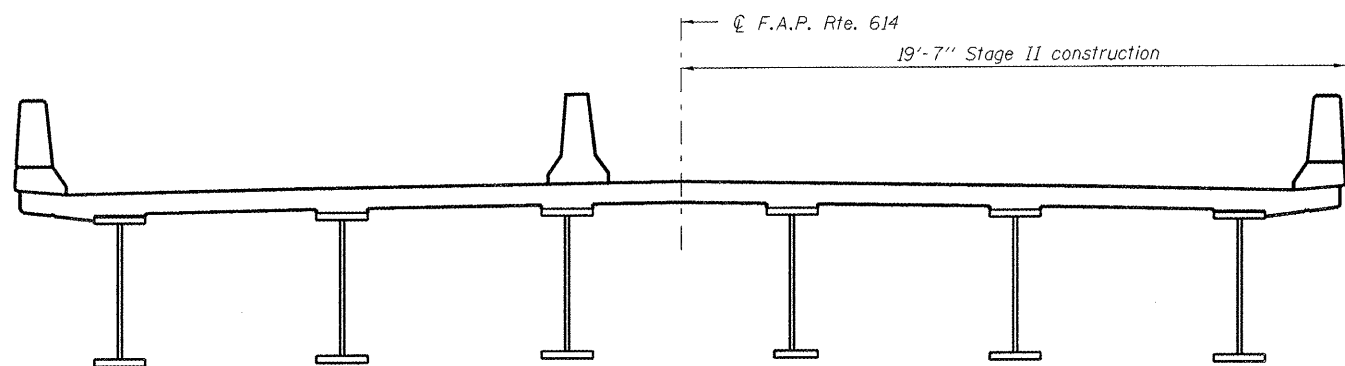
STAGE I REMOVAL



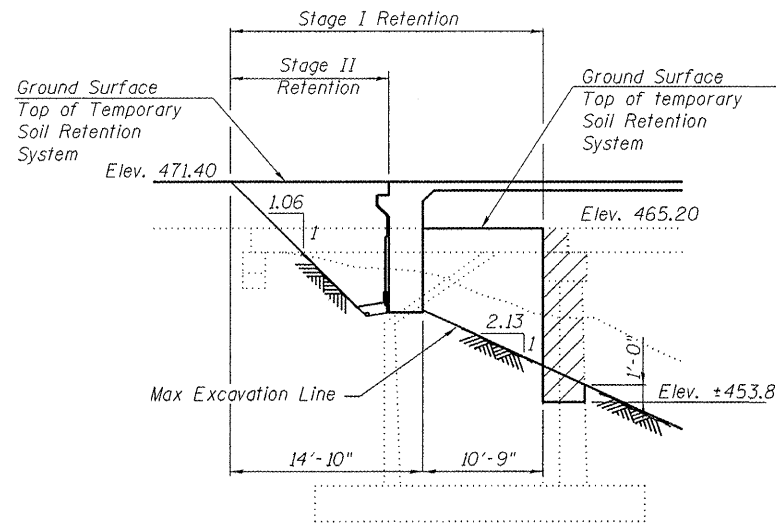
STAGE I CONSTRUCTION



STAGE II REMOVAL

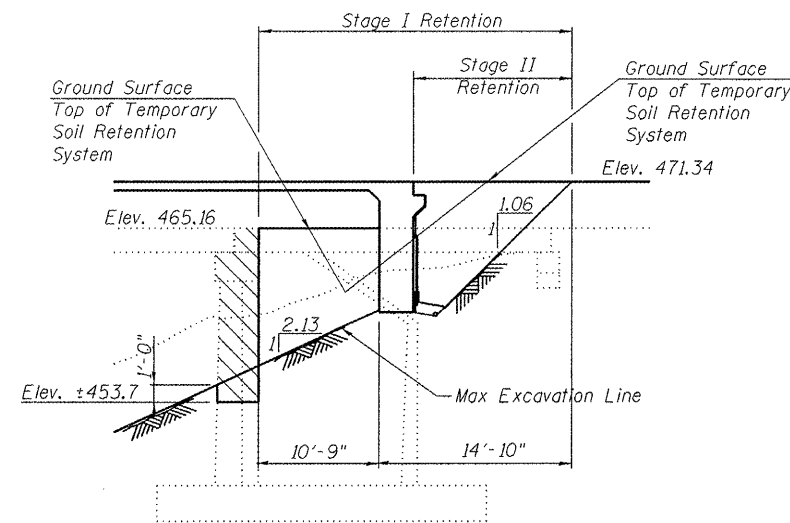


STAGE II CONSTRUCTION



TEMPORARY SOIL RETENTION SYSTEM AT NORTH ABUTMENT

(Dimensions taken along stage construction line)



TEMPORARY SOIL RETENTION SYSTEM AT SOUTH ABUTMENT

(Dimensions taken along stage construction line)

NOTES:
A cantilevered sheet piling design does not appear feasible and additional members or other retention systems may be necessary. The contractor shall submit a temporary soil retention system design including plan details and calculations for review and acceptance by the Engineer.

Cross Hatched areas indicate removal of existing structure.

All cross sections are looking South.

Removal of existing overlay is included with Removal of Existing Structures.

See Roadway plans for quantity of Temporary Concrete Barrier.

See sheet 4 of 20 for details of Temporary Concrete Barrier.

Stage Removal and Construction lines also apply to abutments.

Final abutment removal shall be performed after completion of Stage II construction to required depth per standard specs.

| | | | |
|--|--------------|---------------|-----------|
| | USER NAME = | DESIGNED - JR | REVISED - |
| | PLOT SCALE = | CHECKED - JEK | REVISED - |
| | PLOT DATE = | DRAWN - WJG | REVISED - |
| | | CHECKED - JEK | REVISED - |

**STATE OF ILLINOIS
DEPARTMENT OF TRANSPORTATION**

**STAGE CONSTRUCTION DETAILS
STRUCTURE NO. 009-0512**

SHEET NO. 3 OF 20 SHEETS

| | | | | |
|---------------------------|----------|--------|--------------------|-----------|
| F.A.P. RTE. | SECTION | COUNTY | TOTAL SHEETS | SHEET NO. |
| 614 | 144(B-5) | CASS | 94 | 56 |
| | | | CONTRACT NO. 72B55 | |
| ILLINOIS FED. AID PROJECT | | | | |