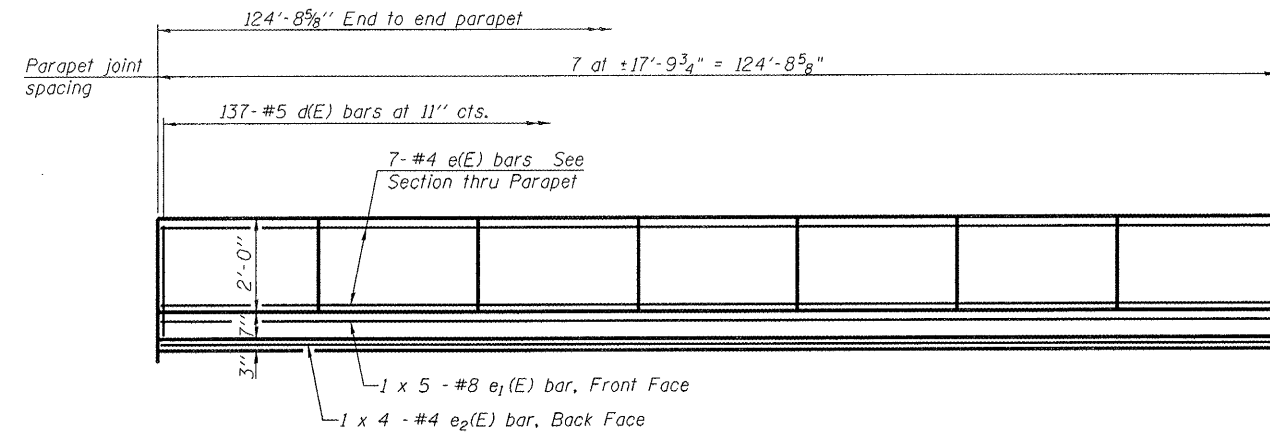
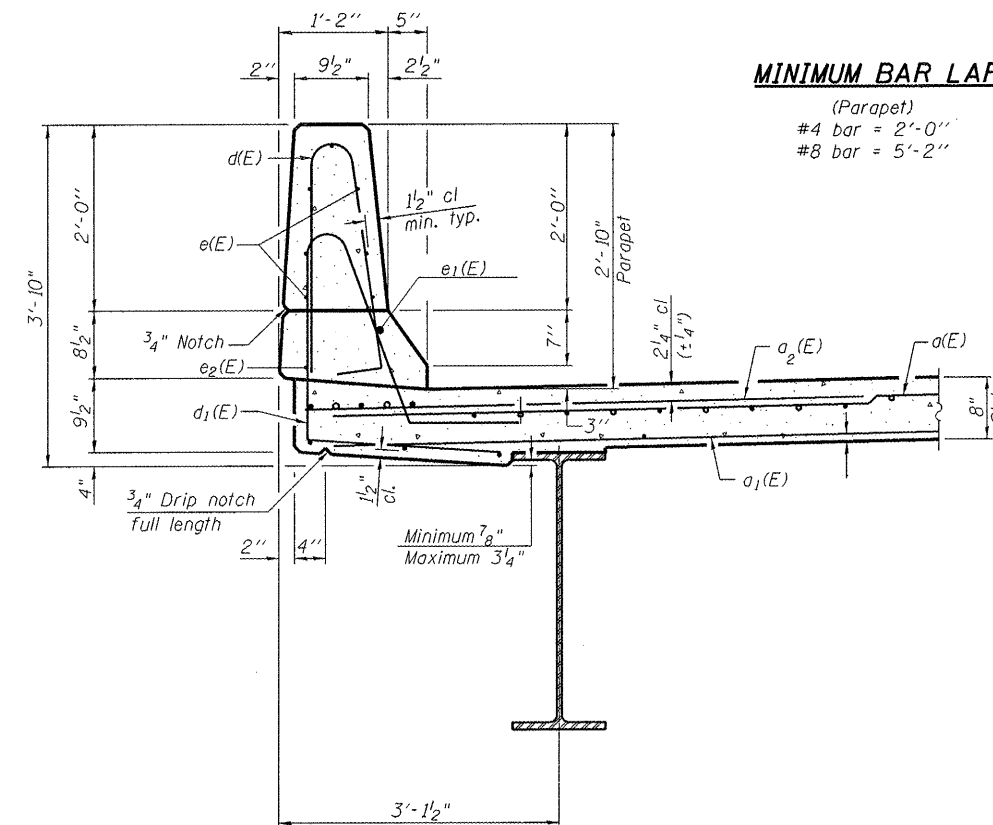


STATE OF ILLINOIS
DEPARTMENT OF TRANSPORTATION



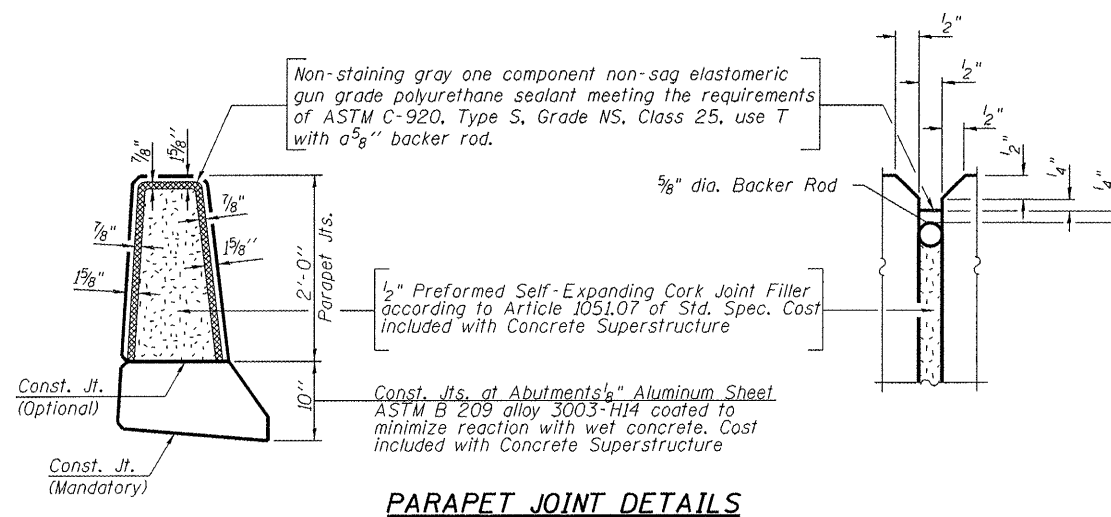
INSIDE ELEVATION OF PARAPET



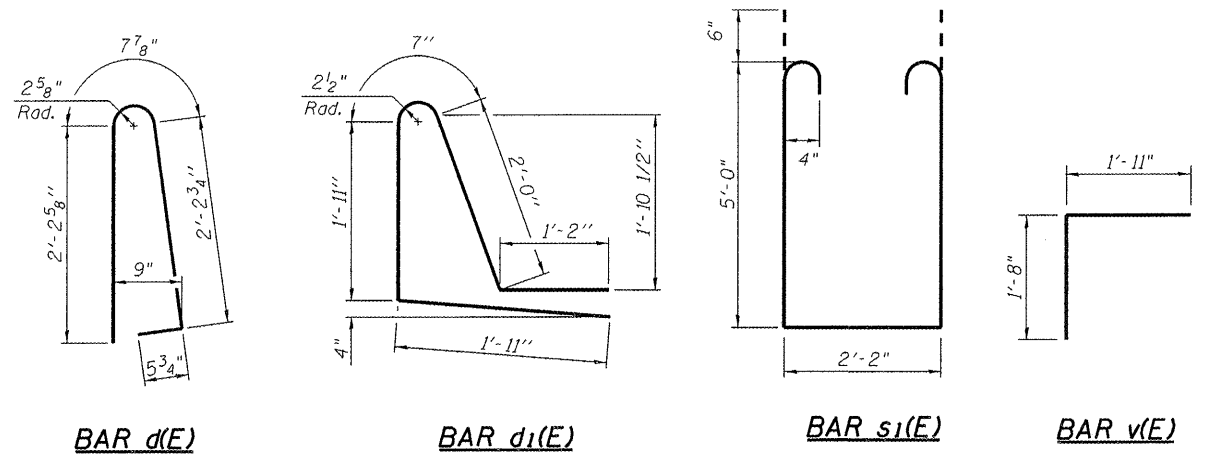
SECTION THRU PARAPET

MINIMUM BAR LAP

(Parapet)
#4 bar = 2'-0"
#8 bar = 5'-2"



PARAPET JOINT DETAILS



BAR s(E)

**SUPERSTRUCTURE
BILL OF MATERIAL**

Bar	No.	Size	Length	Shape
d(E)	544	#5	18'-9"	—
a1(E)	334	#5	18'-9"	—
a2(E)	544	#6	6'-6"	—
a3(E)	8	#5	20'-6"	—
b(E)	172	#5	33'-8"	—
b1(E)	180	#5	27'-6"	—
d(E)	274	#5	5'-7"	⌒
d1(E)	274	#5	7'-7"	⌒
e(E)	98	#4	17'-5"	—
e1(E)	10	#8	29'-6"	—
e2(E)	8	#4	33'-3"	—
m(E)	10	#6	41'-4"	—
m1(E)	28	#6	9'-10"	—
m2(E)	8	#6	6'-3"	—
m3(E)	4	#6	2'-10"	—
s(E)	82	#5	6'-10"	⌒
s1(E)	72	#4	13'-2"	⌒
v(E)	80	#5	3'-7"	⌒
Reinforcement Bars, Epoxy Coated		Pound	42367	
Concrete Superstructure		Cu. Yds.	185	

Bars indicated thus 1 x 4 - #5 etc. indicates 1 line of bars with 4 lengths per line.



USER NAME =	DESIGNED - JR	REVISED -
PLOT SCALE =	CHECKED - JEK	REVISED -
PLOT DATE =	DRAWN - WJG	REVISED -
	CHECKED - JEK	REVISED -

STATE OF ILLINOIS
DEPARTMENT OF TRANSPORTATION

SUPERSTRUCTURE DETAILS
STRUCTURE 009-0512

SHEET NO. 10 OF 20 SHEETS

F.A.P. RTE. 614	SECTION 144(B-5)	COUNTY CASS	TOTAL SHEETS 97	SHEET NO. 63
			CONTRACT NO. 72B55	
ILLINOIS FED. AID PROJECT				