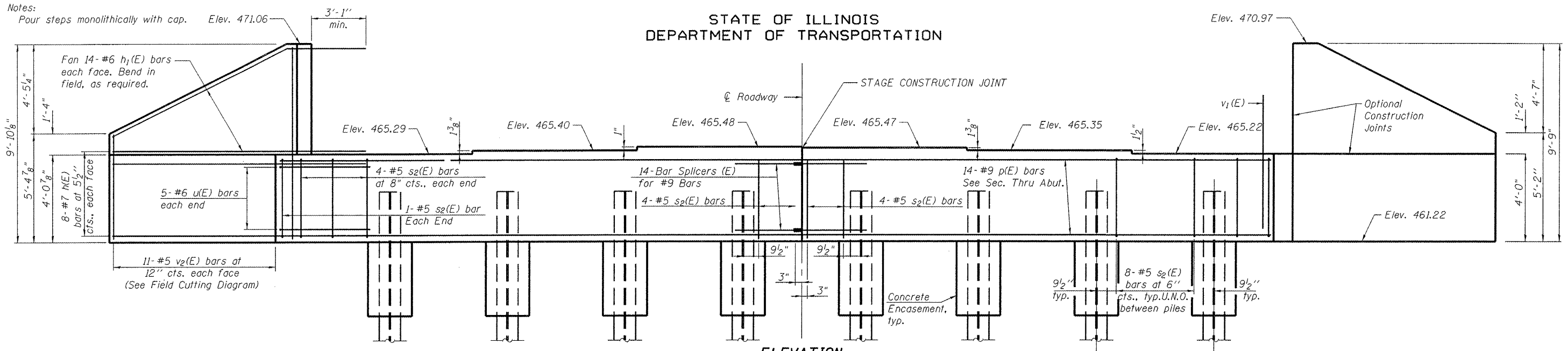
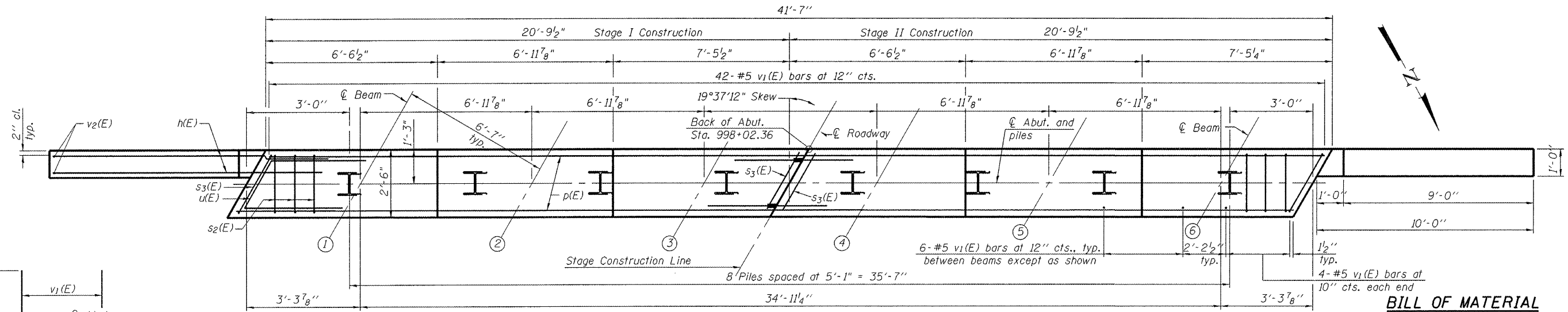


STATE OF ILLINOIS
DEPARTMENT OF TRANSPORTATION



ELEVATION



PLAN

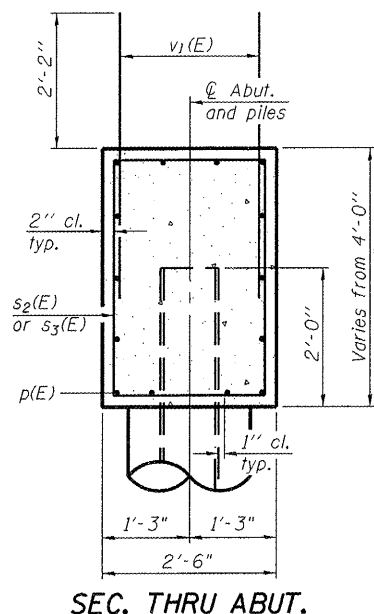
Note: The Contractor is advised that a portion of the existing footing may interfere with the driving of the piles.

BILL OF MATERIAL

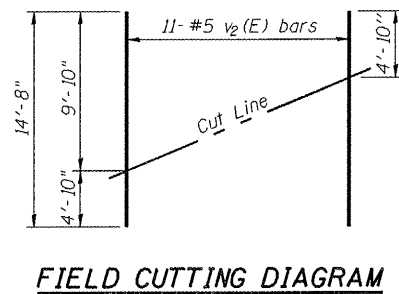
Bar	No.	Size	Length	Shape
h(E)	32	#7	14'-4"	—
h1(E)	56	#6	14'-4"	—
p(E)	28	#9	20'-5"	—
s2(E)	66	#5	12'-7"	□
s3(E)	4	#5	12'-11"	□
u(E)	10	#6	9'-4"	—
v1(E)	80	#5	4'-4"	—
v2(E)	22	#5	14'-8"	—
Structure Excavation		Cu. Yd.		62
Concrete Structures		Cu. Yd.		24
Concrete Encasement		Cu. Yd.		2.80
Reinforcement Bars, Epoxy Coated		Pound		6013
Furnishing Steel Piles, HP 12x63		Foot		315
Driving Piles		Foot		315
Test Pile, HP12x63		Each		1

PILE DATA

Type: HP 12 x 63
Nominal Required Bearing: 497 kips
Factored Resistance Available: 265 kips
Est. Length: 45 ft.
No. Production Piles: 7
No. Test Piles: 1

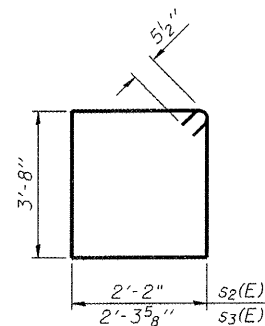


SEC. THRU ABUT.

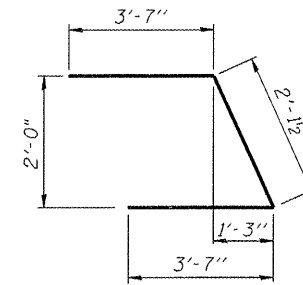


FIELD CUTTING DIAGRAM

Order v2(E) full length. Cut as shown and use remainder of bars in opposite face.



BAR s2(E) & s3(E)



BAR u(E)

The VOLKERT/DMA
Joint Venture

USER NAME =	DESIGNED - JR	REVISED -
PLOT SCALE =	CHECKED - JEK	REVISED -
PLOT DATE =	DRAWN - WJG	REVISED -
	CHECKED - JEK	REVISED -

STATE OF ILLINOIS
DEPARTMENT OF TRANSPORTATION

SOUTH ABUTMENT
STRUCTURE NO. 009-0512

SHEET NO. 17 OF 20 SHEETS

F.A.P. RTE.	SECTION	COUNTY	TOTAL SHEETS	SHEET NO.
614	144(B-5)	CASS	97	70
CONTRACT NO. 72B55			ILLINOIS FED. AID PROJECT	