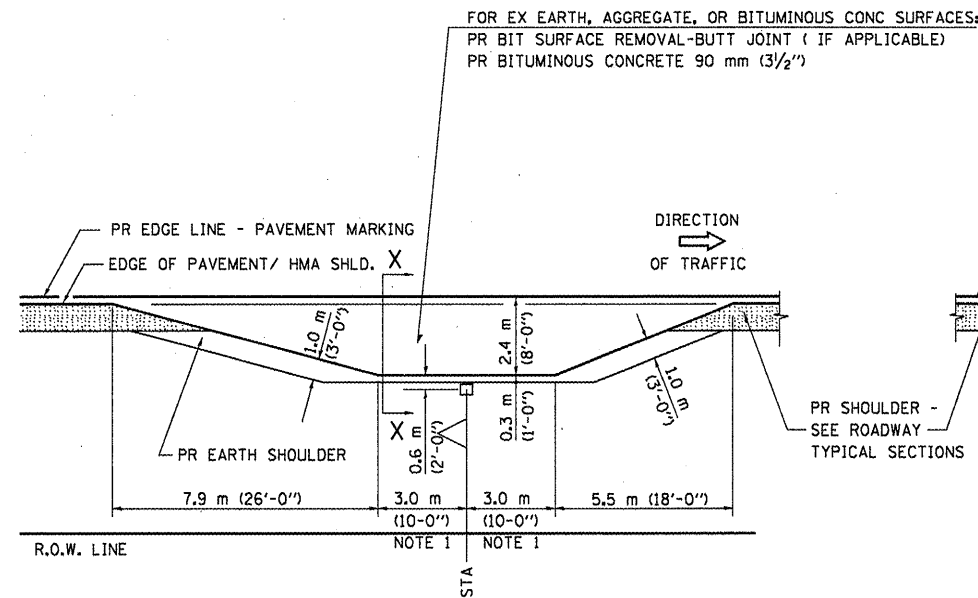
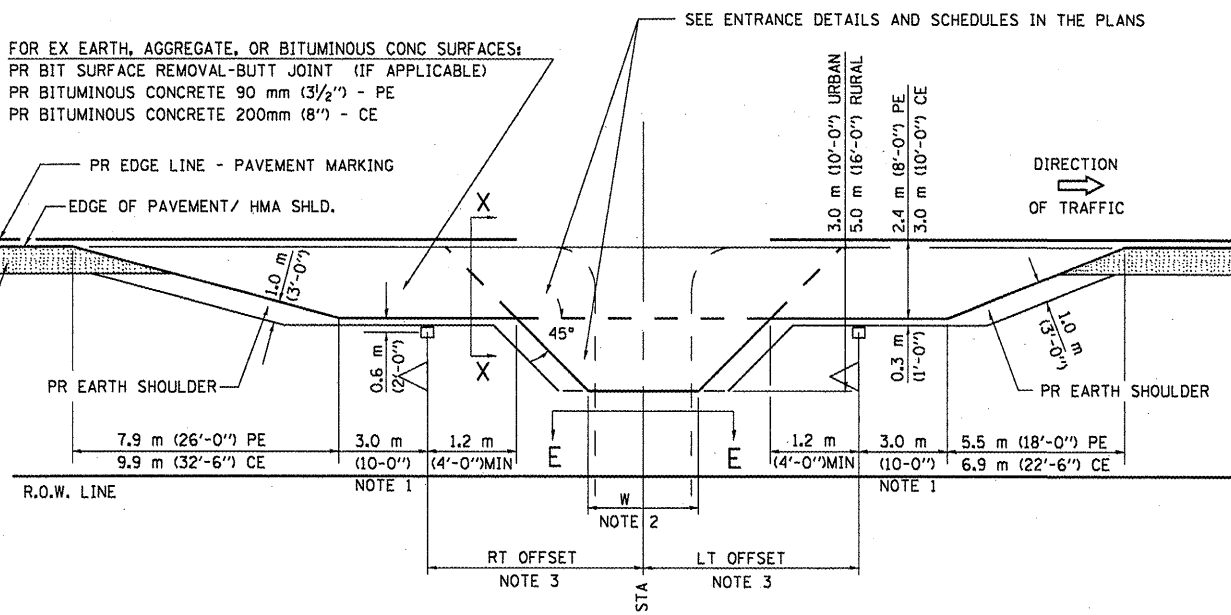


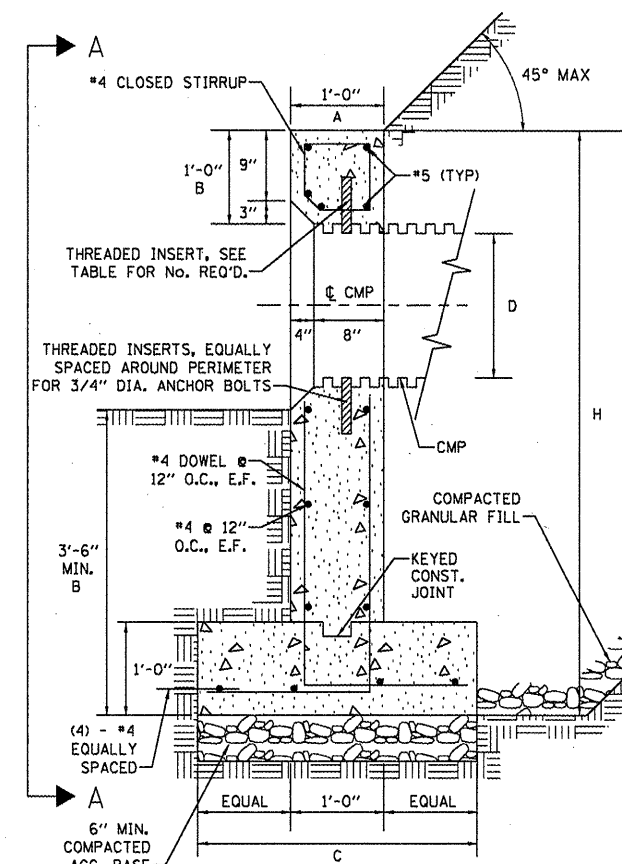
DETAILS OF MAILBOX TURNOUTS



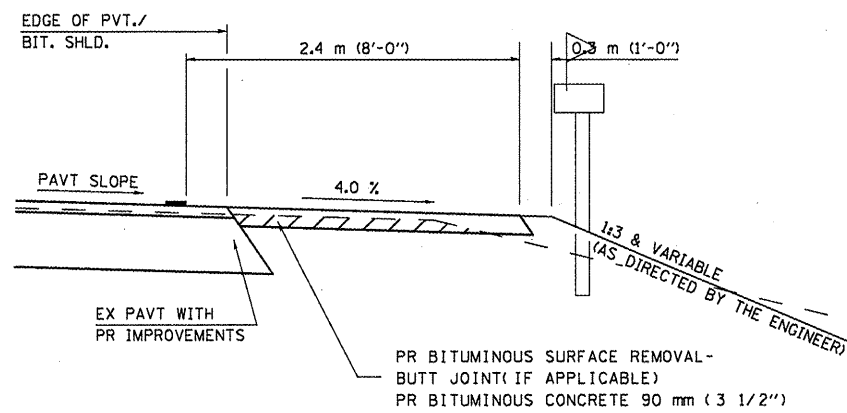
PLAN - MAILBOX TURNOUTS



PLAN - COMBINED MAILBOX TURNOUT WITH TRAILING OR LEADING ENTRANCE

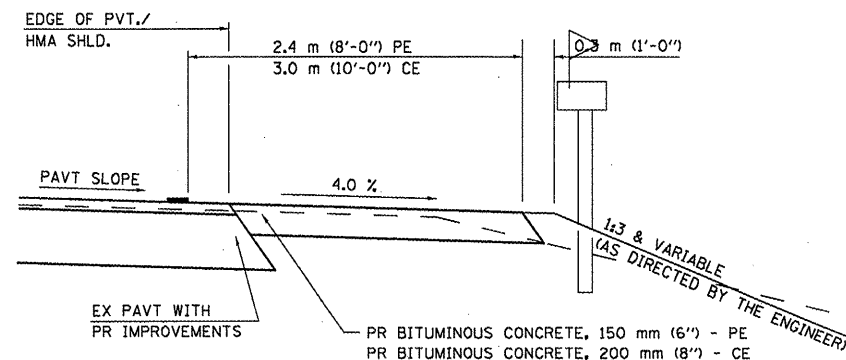


SECTION I-I



SECTION X-X THRU MAILBOX TURNOUT
ALSO APPLIES TO MAILBOX TURNOUTS COMBINED WITH EX EARTH, AGGREGATE, OR BITUMINOUS PE & FE

(DETAIL APPLIES WHEN M.B. TURNOUT DOES NOT EXIST. IF EXISTING, TREAT SAME AS ENTRANCE.)



SECTION X-X THRU MAILBOX TURNOUT COMBINED WITH EX BITUMINOUS CONC & PC CONC PE & CE

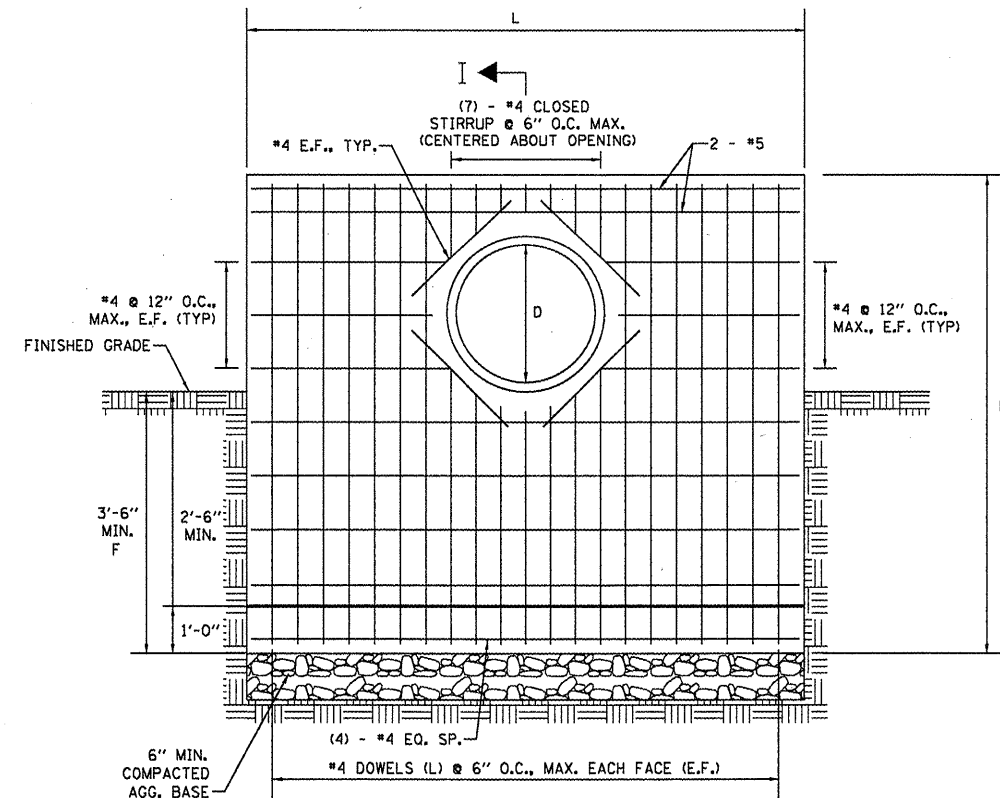
(DETAIL APPLIES WHEN M.B. TURNOUT DOES NOT EXIST. IF EXISTING, TREAT SAME AS ENTRANCE.)

- NOTE 1 IF MORE THAN ONE MAILBOX IS PRESENT, DIMENSION FROM CENTER OF END MAILBOX.
- NOTE 2 FOR ENTRANCE LAYOUT DIMENSIONS AND SECTIONS A-A & E-E REFER TO THE SCHEDULES IN THE PLANS.
- NOTE 3 BOTH LT OR RT OFFSETS FOR MAILBOX SHOWN USE OFFSET DIMENSION PER SCHEDULE AND REFER TO LAYOUT SHOWN ON THE PLAN.

ALL DIMENSIONS ARE IN MILLIMETERS (INCHES) UNLESS OTHERWISE SHOWN.

HEADWALL FOR CIRCULAR PIPE						
DIAMETER CMP	6" - 12"	15"	18"	21" - 24"	27" - 30"	33" - 36"
A	1'-0"	1'-0"	1'-0"	1'-0"	1'-0"	1'-0"
B	1'-0"	1'-0"	1'-0"	1'-0"	1'-0"	1'-0"
C	3'-0"	3'-0"	3'-0"	3'-0"	3'-6"	3'-6"
D	1'-0"	1'-3"	1'-6"	2'-0"	2'-6"	3'-0"
F	3'-6"	3'-6"	3'-6"	3'-6"	3'-6"	3'-6"
H	5'-9"	6'-0"	6'-3"	6'-9"	7'-3"	7'-9"
L	4'-0"	5'-0"	6'-0"	8'-0"	10'-0"	12'-0"
No. THREADED INSERTS	4	4	4	5	6	7
QUANTITIES						
REINFORCING (LB)	135	190	220	310	405	490
CONCRETE (CY)	1.14	1.44	1.77	2.50	3.46	4.34

CONCRETE HEADWALL FOR CMP CULVERT



ELEVATION A-A

The VOLKERT/DMA
Joint Venture

USER NAME = default
DESIGNED - DRH
DRAWN - DRH
CHECKED - VAM
DATE - 8/26/2011

REVISOR -
REVISOR -
REVISOR -
REVISOR -

STATE OF ILLINOIS
DEPARTMENT OF TRANSPORTATION

MISCELLANEOUS DETAILS

SCALE: N.T.S. SHEET NO. 2 OF 2 SHEETS

F.A.U. RTE.	SECTION	COUNTY	TOTAL SHEETS	SHEET NO.
614	144 (B-4); 144 (B-5)	CASS	97	75
CONTRACT NO. 72B55				
ILLINOIS FED. AID PROJECT				