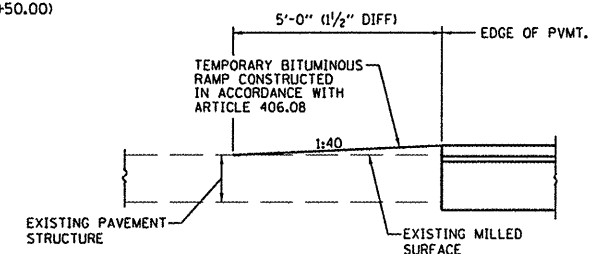
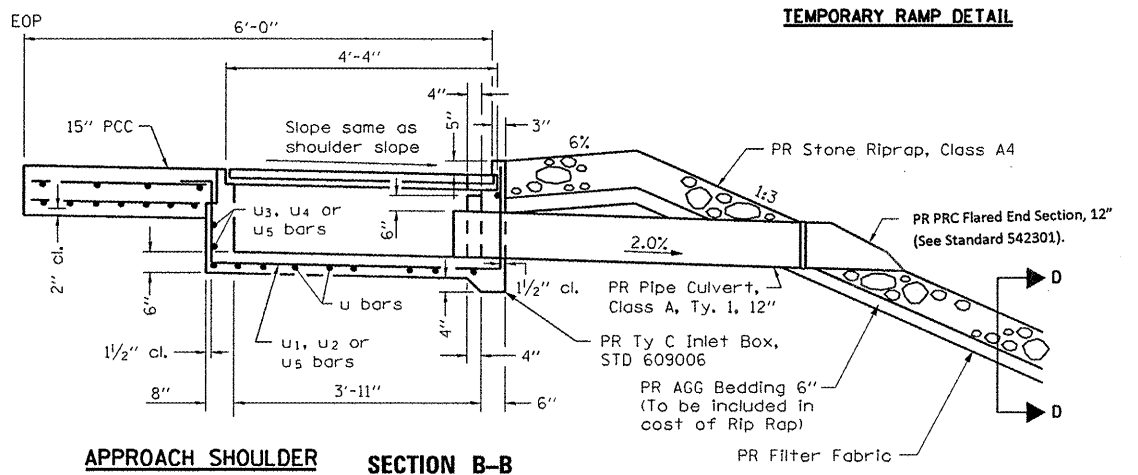


BUTT JOINT DETAIL
(STA. 953+00.00 TO STA. 953+45.00)
(STA. 1003+05.00 TO STA. 1003+50.00)

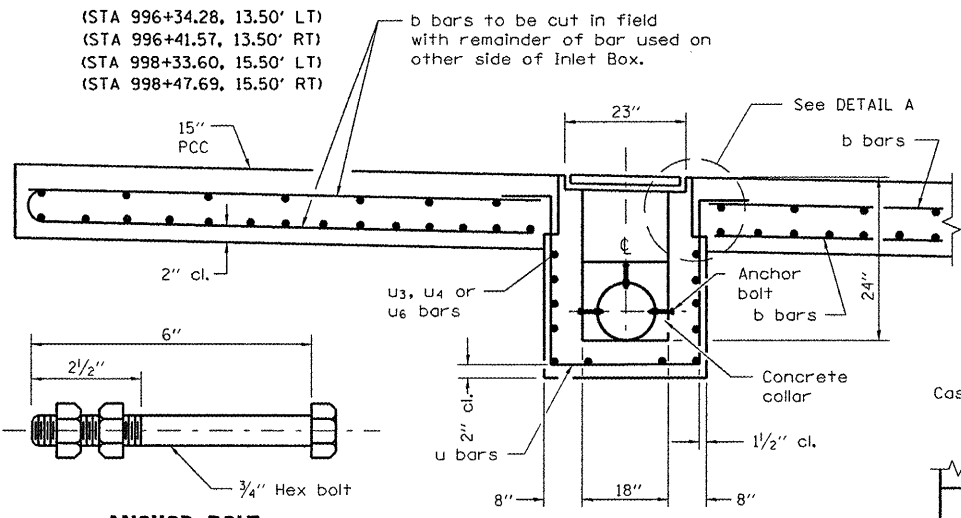


TEMPORARY RAMP DETAIL



APPROACH SHOULDER DRAIN DETAIL
SECTION B-B

(STA 996+34.28, 13.50' LT)
(STA 996+41.57, 13.50' RT)
(STA 998+33.60, 15.50' LT)
(STA 998+47.69, 15.50' RT)



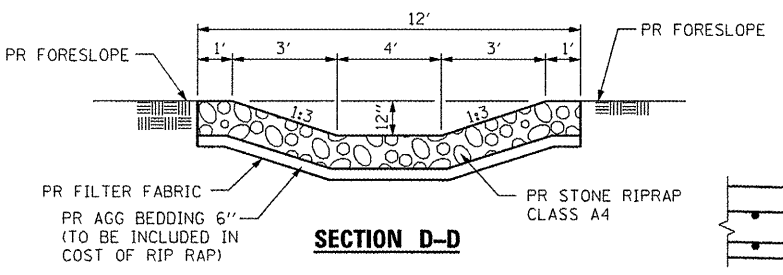
SECTION A-A

ANCHOR BOLT

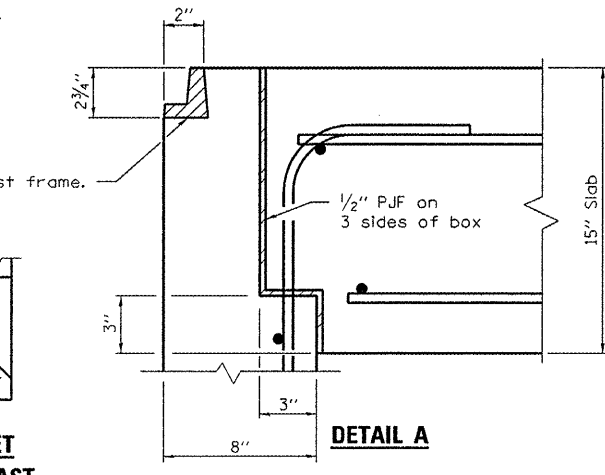
(Used to tie pipe to concrete collar)

INLET TYPE	SHOULDER WIDTH	O-O GRATING FRAME	INLET BOX INSIDE WIDTH	INLET BOX INSIDE LENGTH
Type C	6'	4'-4"	3'-11"	18"

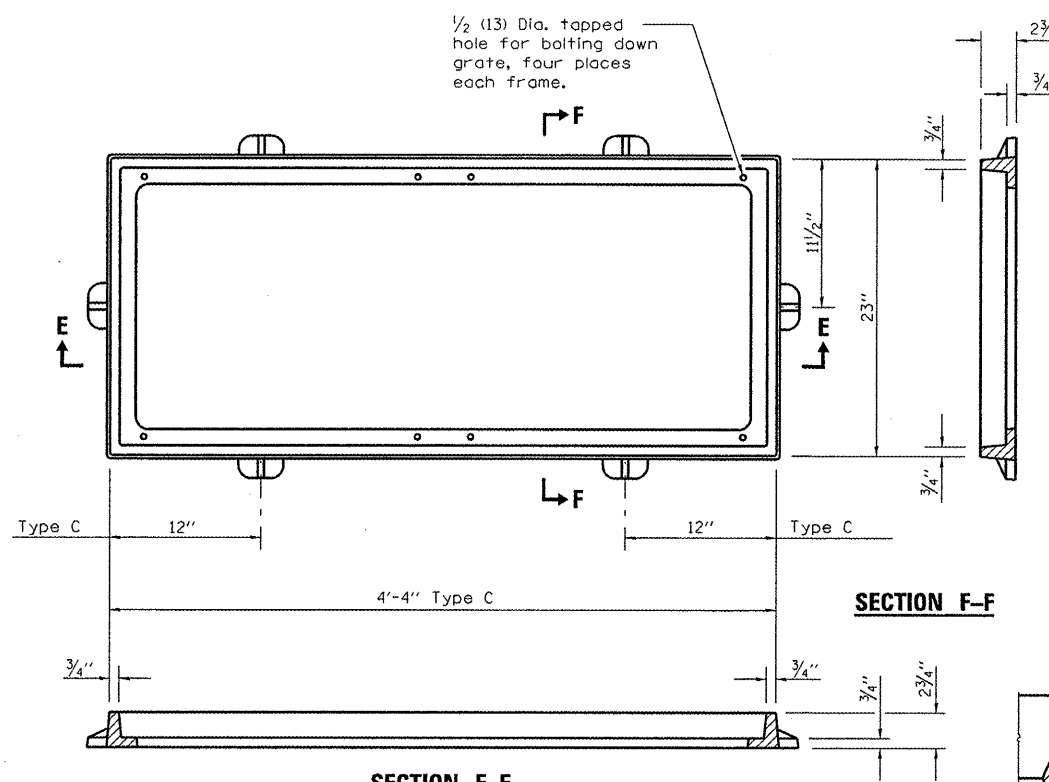
BOX OUTLET WHEN PRECAST



SECTION D-D

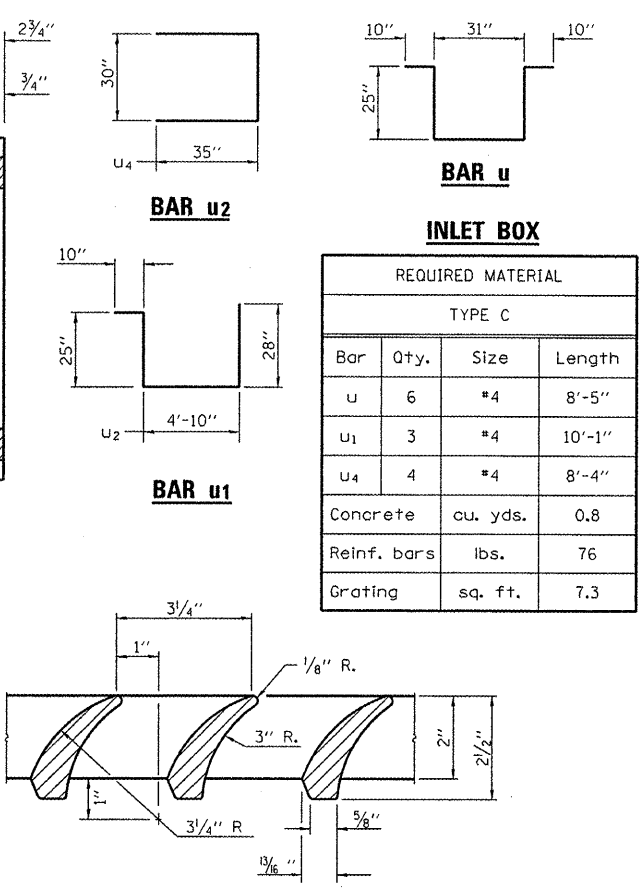


DETAIL A



SECTION E-E
DETAIL OF CAST FRAME

SECTION F-F



BAR u

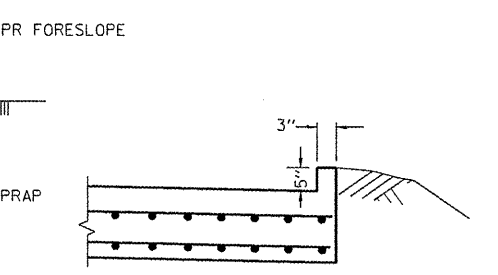
BAR u2

BAR u1

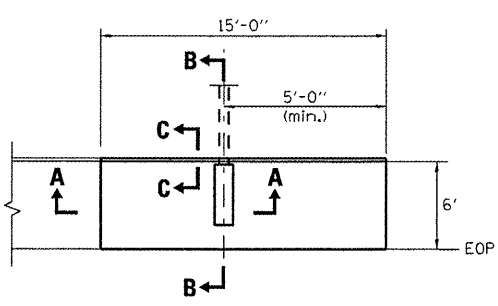
INLET BOX

REQUIRED MATERIAL			
TYPE C			
Bar	Qty.	Size	Length
u	6	#4	8'-5"
u1	3	#4	10'-1"
u4	4	#4	8'-4"
Concrete	cu. yds.		0.8
Reinf. bars	lbs.		76
Grating	sq. ft.		7.3

DETAIL B

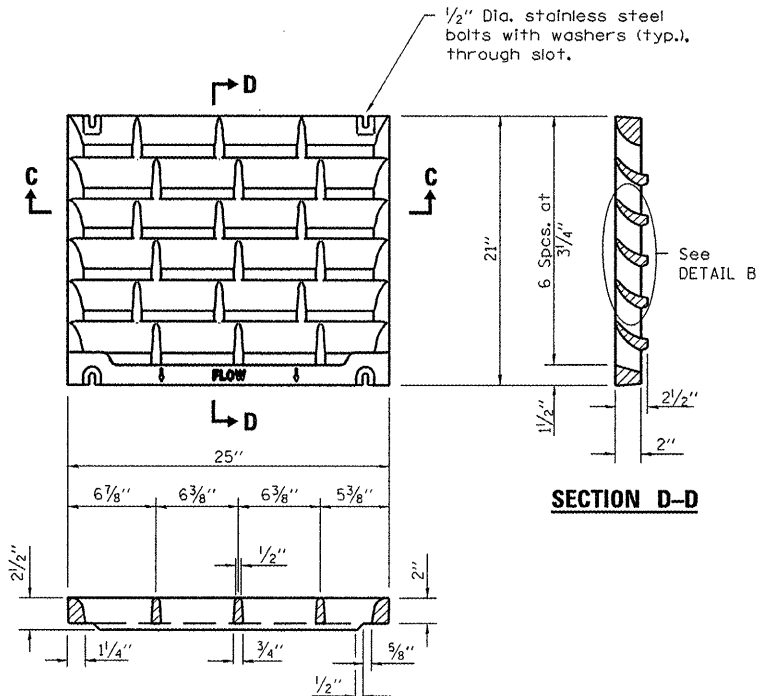


SECTION C-C



TYPICAL DETAIL PLAN

APPROACH SHOULDER & DRAIN DETAIL
STA. 1946+81.24 LT
STA. 1946+81.24 RT



SECTION C-C

DETAIL OF CAST GRATE

Type C requires 2 grates

SECTION D-D

GENERAL NOTES

All exposed edges of the inlet, except the upper perimeter, shall be beveled 3/4 (20).

All dimensions are in inches (millimeters) unless otherwise shown.



USER NAME = sparkgw	DESIGNED - DRH	REVISED -
PLOT SCALE = 40.0000' / 1"	DRAWN - DRH	REVISED -
PLOT DATE = Aug-31-2011 09:43:38AM	CHECKED - DRH	REVISED -
	DATE - 8/26/2011	REVISED -

STATE OF ILLINOIS
DEPARTMENT OF TRANSPORTATION

MISCELLANEOUS DETAILS	
SCALE: N.T.S.	SHEET NO. 1 OF 1 SHEETS

F.A.U. RTE.	SECTION	COUNTY	TOTAL SHEETS	SHEET NO.
614	144 (B-4); 144 (B-5)	CASS	97	76
CONTRACT NO. 72B55				
ILLINOIS FED. AID PROJECT				