

DEPARTMENT OF TRANSPORTATION
DIVISION OF HIGHWAYS

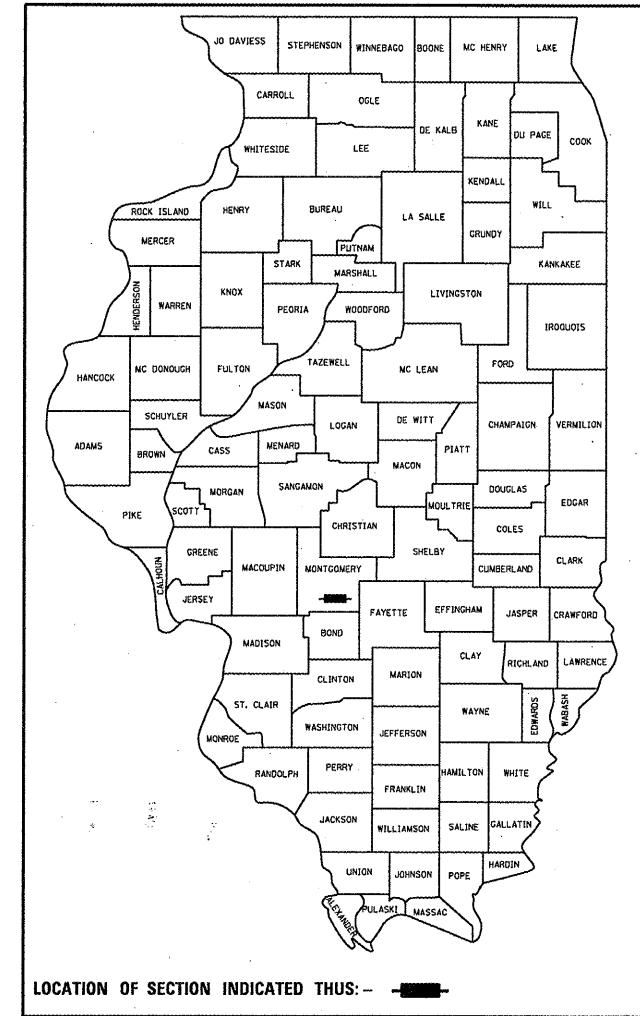
**PROPOSED
HIGHWAY PLANS**

IL ROUTE 16 (FAP 325) & IL 127 (FAP 42)
SECTION (15, 21)RS-7, 22RS-4, 24RS-8
PROJECT ACF-000S (868)
PPP BITUMINOUS RESURFACING FOR IL 16 & IL 127
MONTGOMERY COUNTY
C-96-001-10

F.A.P. RTE.	SECTION	COUNTY	TOTAL SHEETS	SHEET NO.
15, 21	RS-7, 22RS-4, 24RS-8	MONTGOMERY	80	1
		ILLINOIS	CONTRACT NO. 72D67	

* - (15, 21)RS-7, 22RS-4, 24RS-8
** - 42, 325

D-96-001-10

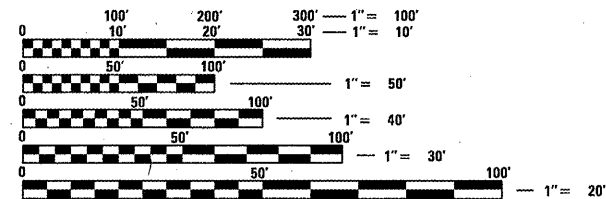


INDEX OF SHEETS

- 1 COVER SHEET
- 2 GENERAL NOTES
- 3-6 SUMMARY OF QUANTITIES
- 7-17 TYPICAL CROSS SECTIONS
- 18-35 SCHEDULE OF QUANTITIES
- 36-55 PLAN SHEETS
- 56-64 PAVEMENT MARKING SHEETS
- 65-66 BUTT-JOINT DETAILS
- 67-69 ROADWAY SUPERELEVATION SHEETS
- 70 ENTRANCE DETAILS
- 71 SIDEWALK/DETECTABLE WARNING DETAILS
- 72-73 FRAME & GRATE ADJUSTMENT DETAILS
- 74-82 TRAFFIC SIGNALIZATION SHEETS

STANDARDS

000001-06	701326-04
001001-02	701502-04
001006	701602-05
406201-01	701701-07
424001-05	701801-04
442201-03	701901-01
482001-02	720001-01
630301-05	720006-02
635006-03	728001-01
701001-02	780001-02
701006-03	781001-03
701201-04	877001-04
701301-04	878001-08
701306-03	880006-01
701311-03	

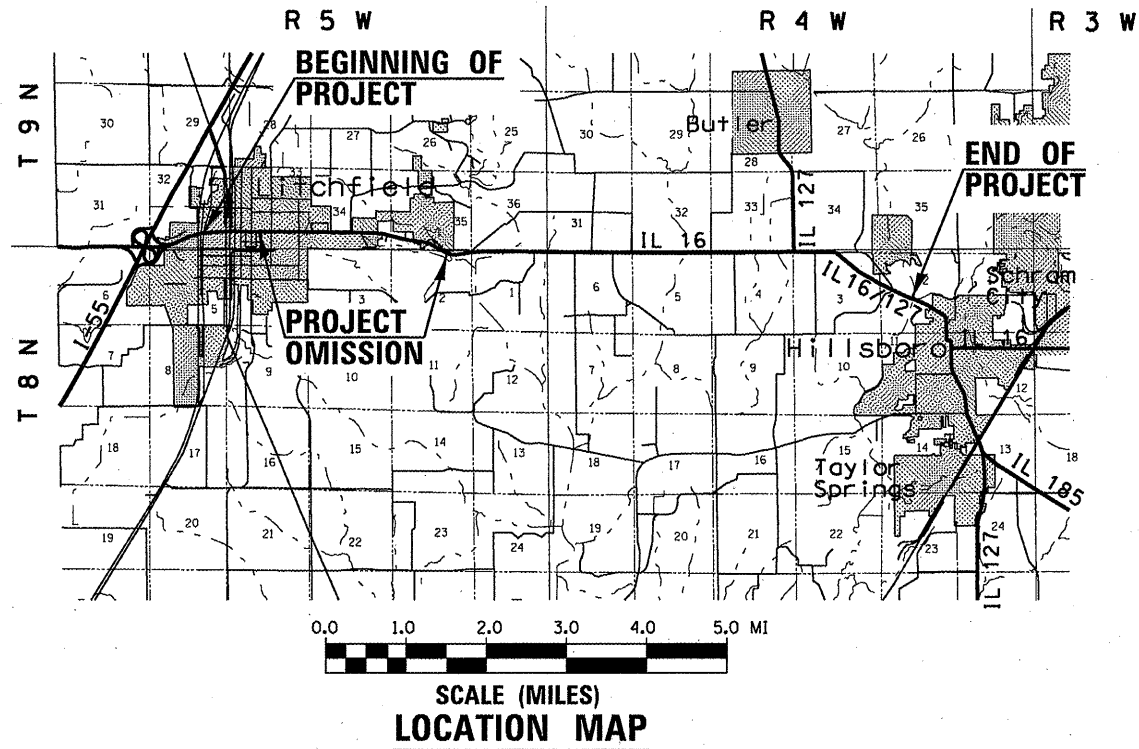


FULL SIZE PLANS HAVE BEEN PREPARED USING STANDARD ENGINEERING SCALES. REDUCED SIZED PLANS WILL NOT CONFORM TO STANDARD SCALES. IN MAKING MEASUREMENTS ON REDUCED PLANS, THE ABOVE SCALES MAY BE USED.

J.U.L.I.E.
JOINT UTILITY LOCATION INFORMATION FOR EXCAVATION
1-800-892-0123
OR 811

PROJECT ENGINEER: JEFF MYERS (217) 782-4761
TEAM MANAGER: TIM SLAGLE (217) 785-5338

CONTRACT NO. 72D67



PROJECT STATIONING:
 BEGINNING OF PROJECT (LITCHFIELD) - 923+67.05
 STATION EQUATION - 942+12.70 BK. = 0+00.00 AHD.
 END OF URBAN SECTION (LITCHFIELD) - 19+97.28
 BEGINNING OF RURAL SECTION (EAST OF LITCHFIELD) - 100+64.00
 STATION EQUATION - 131+27.83 BK. = 131+19.80 AHD.
 BRIDGE OMISSION (WEST FORK, SHOAL CREEK) - 158+40.49 TO 160+67.70
 BRIDGE OMISSION (BRUSH CREEK) - 277+49.25 TO 279+82.33
 STATION EQUATION - 428+69.55 BK. = 433+70.11 AHD.
 END OF PROJECT (MIDDLE FORK, SHOAL CREEK) - 441+25.00

GROSS LENGTH = 36,951.11 FT. = 6.998 MILES
 NET LENGTH = 36,490.82 FT. = 6.911 MILES

STATE OF ILLINOIS
 DEPARTMENT OF TRANSPORTATION
 DIVISION OF HIGHWAYS

SUBMITTED August 24, 2011
 [Signature]
 DEPUTY DIRECTOR OF HIGHWAYS, REGION ENGINEER

Oct 14, 2011
 Scott E. Stitt, P.E.
 acting ENGINEER OF DESIGN AND ENVIRONMENT

Oct 14, 2011
 Christine M. Reed
 DIRECTOR OF HIGHWAYS, CHIEF ENGINEER

**PRINTED BY THE AUTHORITY
OF THE STATE OF ILLINOIS**

GENERAL NOTES

1. ANY REFERENCE TO A STANDARD IN THESE PLANS SHALL BE INTERPRETED TO MEAN THE EDITION AS INDICATED BY THE SUB NUMBER LISTED IN THE INDEX OF SHEETS (COVER SHEET) OR THE COPY OF THE STANDARD INCLUDED IN THESE PLANS.
2. IN ADDITION TO FIELD SURVEYS, PLAN DIMENSIONS AND DETAILS RELATIVE TO THE EXISTING FACILITIES HAVE BEEN TAKEN FROM EXISTING PLANS AND ARE SUBJECT TO CONSTRUCTION VARIATIONS. IT SHALL BE THE CONTRACTOR'S RESPONSIBILITY TO VERIFY SUCH DIMENSIONS AND DETAILS IN THE FIELD. SUCH VARIATIONS SHALL NOT BE A CAUSE FOR ADDITIONAL COMPENSATION DUE TO A CHANGE IN THE SCOPE OF WORK, HOWEVER, THE CONTRACTOR WILL BE PAID FOR THE QUANTITY ACTUALLY FURNISHED AT THE UNIT PRICE BID FOR THE WORK.
3. ACCESS TO ALL ENTRANCES AND SIDE ROADS SHALL BE MAINTAINED AT ALL TIMES UNLESS OTHERWISE SHOWN.
4. THE CONTRACTOR SHALL BE RESPONSIBLE FOR PROTECTING UTILITY PROPERTY FROM CONSTRUCTION OPERATIONS, AS OUTLINED IN ARTICLE 107.31 OF THE STANDARD SPECIFICATIONS. THE J.U.L.I.E. NUMBER IS 1-800-892-0123. A MINIMUM OF 48 HOURS ADVANCE NOTICE IS REQUIRED.
5. THE THICKNESS OF BITUMINOUS MIXTURES SHOWN ON THE PLANS IS THE NOMINAL THICKNESS. DEVIATIONS FROM THE NOMINAL THICKNESS WILL BE PERMITTED WHEN SUCH DEVIATIONS OCCUR DUE TO IRREGULARITIES IN THE EXISTING SURFACE OR BASE ON WHICH THE BITUMINOUS MIXTURE IS PLACED.
6. ALL SAW CUTS, NECESSARY TO COMPLETE THE WORK DETAILED IN THESE PLANS, SHALL BE INCLUDED IN THE COST FOR THE VARIOUS PAY ITEMS INVOLVED.
7. UNLESS DIRECTED BY THE ENGINEER, PAVEMENT MARKING LINES SHALL NOT BE PLACED DIRECTLY OVER A LONGITUDINAL CRACK OR JOINT. THE EDGE OF A CENTERLINE OR LANE LINE SHALL BE OFFSET A MINIMUM DISTANCE OF 2" FROM A LONGITUDINAL CRACK OR JOINT. EDGE LINES SHALL BE APPROXIMATELY 2" FROM THE EDGE LINE OF PAVEMENT. SEE SECTION 780 OF THE STANDARD SPECIFICATIONS FOR TRAFFIC CONTROL ITEMS.
8. THE FOLLOWING RATES OF APPLICATION HAVE BEEN USED TO CALCULATE THE PLAN QUANTITIES:
 BITUMINOUS MATERIALS (PRIME COAT) 0.00038 TON/SQ. YD. (ON PAVEMENT)
 BITUMINOUS MATERIALS (PRIME COAT) 0.001425 TON/SQ. YD. (ON AGG)
 AGGREGATE PRIME COAT 0.002 TON/SQ. YD.
 BITUMINOUS CONCRETE SURFACE / BINDER 0.056 TON/SQ. YD. PER 1"
 AGGREGATE MATERIAL 2.05 TON/CU. YD.
9. THE EXISTING ROAD SIGNS THAT INTERFERE WITH CONSTRUCTION WILL BE REMOVED OR RELOCATED AS DIRECTED BY THE ENGINEER. AFTER THE CONSTRUCTION IS COMPLETED, THE CONTRACTOR WILL REPLACE THE SIGNS AS DIRECTED BY THE ENGINEER. THIS WORK WILL NOT BE PAID SEPARATELY BUT SHALL BE CONSIDERED INCLUDED IN THE CONTRACT, AND NO COMPENSATION WILL BE ALLOWED.
10. WHERE SECTION OR SUB-SECTION MARKERS ARE ENCOUNTERED, THE ENGINEER SHALL BE NOTIFIED BEFORE SUCH MONUMENTS ARE REMOVED. THE CONTRACTOR SHALL PROTECT AND CAREFULLY PRESERVE ALL PROPERTY MARKERS AND MONUMENTS UNTIL THE OWNER, AN AUTHORIZED AGENT OR LAND SURVEYOR HAS WITNESSED OR OTHERWISE REFERENCED THEIR LOCATION.
11. LIMITS OF CONSTRUCTION ALONG SIDE ROADS SHALL BE VERIFIED AND APPROVED BY THE ENGINEER BEFORE WORK BEGINS. LIMITS MAY BE ADJUSTED FROM PROPOSED PLAN LAYOUT IF ENGINEER DEEMS NECESSARY.
12. EXISTING MANHOLES AND INLET FRAMES & LIDS DAMAGED BY THE CONTRACTOR'S OPERATION SHALL BE REPLACED WITH NEW FRAMES AND LIDS AT THE CONTRACTOR'S EXPENSE.

BITUMINOUS MIXTURE REQUIREMENTS TABLES

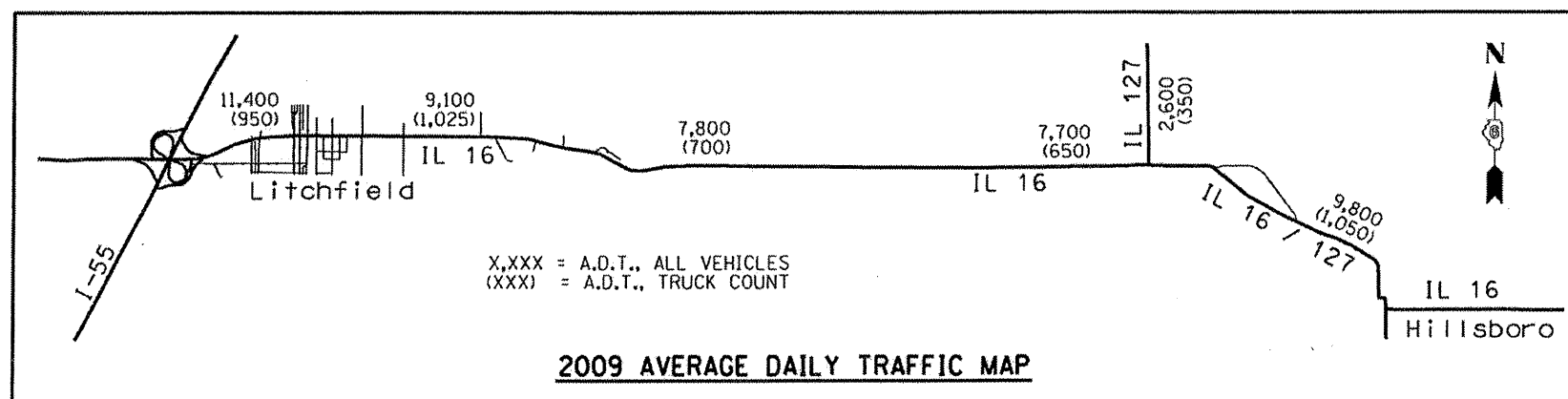
IL RTE. 16 & IL RTE. 127 MAINLINE & SHOULDER RESURFACING	
MIXTURE USE(S):	HMA SURFACE COURSE
PG:	PG 64-22
DESIGN AIR VOIDS:	4.0% @ N70
MIXTURE COMPOSITION: (GRADATION MIXTURE)	IL 9.5 OR 12.5
FRICTION AGREGATE:	MIX "D"

HMA SHOULDERS ALONG IL 16 & IL 127	
MIXTURE USE(S):	HMA SHOULDERS, LOWER LIFTS
AC/PG:	PG 58-22
DESIGN AIR VOIDS:	2.0% @ N30
MIXTURE COMPOSITION: (GRADATION MIXTURE)	BAM
FRICTION AGREGATE:	N/A

IL RTE. 16 & IL RTE. 127 MAINLINE RESURFACING	
MIXTURE USE(S):	LEVELING BINDER
AC/PG:	PG 64-22
DESIGN AIR VOIDS:	4.0% @ N70
MIXTURE COMPOSITION: (GRADATION MIXTURE)	IL 9.5
FRICTION AGREGATE:	N/A

IL 16 & IL 127 MAINLINE PATCHING	
MIXTURE USE(S):	PAVEMENT PATCHING
AC/PG:	PG 64-22
DESIGN AIR VOIDS:	4.0% @ N70
MIXTURE COMPOSITION: (GRADATION MIXTURE)	IL 19.0
FRICTION AGREGATE:	N/A

SIDEROADS, ENTRANCES ALONG IL 16 & IL 127	
MIXTURE USE(S):	INCIDENTAL HMA SURFACING
AC/PG:	PG 64-22
DESIGN AIR VOIDS:	4.0% @ N50
MIXTURE COMPOSITION: (GRADATION MIXTURE)	IL 9.5 OR 12.5
FRICTION AGREGATE:	MIX "C"



DISTRICT SIX	
EXAMINED <u>August 8</u> 20 <u>11</u>	
<u>Oil Walk</u>	
OPERATIONS ENGINEER	
EXAMINED <u>AUGUST 11</u> 20 <u>11</u>	
<u>Tom Z...</u>	
PROJECT IMPLEMENTATION ENGINEER	
EXAMINED <u>August 22</u> 20 <u>11</u>	
<u>ARMU</u>	
PROGRAM DEVELOPMENT ENGINEER	

• - 325, 42
 •• - 115, 211RS-7, 22RS-4, 24RS-8

IL. RTE. 127
F.A.P. 42
RURAL

IL. RTE. 16
F.A.P. 325
URBAN

SUMMARY OF QUANTITIES				07COL				
CODE NO.	ITEM	UNIT	TOTAL QUANTITY	L25EC	L2SEC	TOTAL BREAKOUTS		L2SEL
				80% FEDERAL	80% FEDERAL	50% STATE	80% FEDERAL	80% FEDERAL
				20% STATE	20% STATE	50% LOCAL (PARKING LANE)	10% STATE	20% LOCAL
				CODE 0005	CODE 0021	CODE 0005	CODE 0021	CODE 0021
20200600	EXCAVATING AND GRADING EXISTING SHOULDER	UNIT	150	150				
35300720	PORTLAND CEMENT CONCRETE BASE COURSE 13"	SQ YD	1					1
35800100	PREPARATION OF BASE	SQ YD	25	25				
40600200	BITUMINOUS MATERIALS (PRIME COAT)	TON	44.1	44.0		0.1		
40600300	AGGREGATE (PRIME COAT)	TON	232	231		1		
40600635	LEVELING BINDER (MACHINE METHOD), N70	TON	3,871	3,871				
40600895	CONSTRUCTING TEST STRIP	EACH	1	1				
40600982	HOT-MIX ASPHALT SURFACE REMOVAL - BUTT JOINT	SQ YD	5,320	5,320				
40600990	TEMPORARY RAMP	SQ YD	1,311	1,311				
40603340	HOT-MIX ASPHALT SURFACE COURSE, MIX "D", N70	TON	12,613	12,576		37		
40800050	INCIDENTAL HOT-MIX ASPHALT SURFACING	TON	385	385				
42400100	PORTLAND CEMENT CONCRETE SIDEWALK 4"	SQ FT	23.5					23.5
42400800	DETECTABLE WARNINGS	SQ FT	81.4					81.4
44000157	HOT-MIX ASPHALT SURFACE REMOVAL, 2"	SQ YD	19,926	19,599		327		
44000158	HOT-MIX ASPHALT SURFACE REMOVAL, 2 1/4"	SQ YD	8,050	8,050				
44000300	CURB REMOVAL	FOOT	12.0					12
44000600	SIDEWALK REMOVAL	SQ FT	44.0					44.0
44200144	PAVEMENT PATCHING, TYPE II, 12 INCH	SQ YD	568	568				
44200148	PAVEMENT PATCHING, TYPE III, 12 INCH	SQ YD	231	231				
44200150	PAVEMENT PATCHING, TYPE IV, 12 INCH	SQ YD	591	591				

.. 325, 42
.. (15, 21)RS-7, 22RS-4, 24RS-8

IL. RTE. 127
F.A.P. 42

RURAL

IL. RTE. 16
F.A.P. 325

URBAN

SUMMARY OF QUANTITIES

07COL

CODE NO.	ITEM	UNIT	TOTAL QUANTITY	L2SEC		TOTAL BREAKOUT		L2SEL	
				80% FEDERAL 20% STATE CODE 0005	80% FEDERAL 20% STATE CODE 0021	50% STATE 50% LOCAL (PARKING LANE) CODE 0005	80% FEDERAL 10% STATE 10% LOCAL (LITCHFIELD) CODE 0021	80% FEDERAL 20% LOCAL CODE 0021	
				48101200	AGGREGATE SHOULDERS, TYPE B	TON	2,367	2,367	
48203022	HOT-MIX ASPHALT SHOULDERS, 6 1/4"	SQ YD	20,052	20,052					
48203023	HOT-MIX ASPHALT SHOULDERS, 6 1/2"	SQ YD	8,118	8,118					
56109210	WATER VALVES TO BE ADJUSTED	EACH	1	1					
60300105	FRAMES AND GRATES TO BE ADJUSTED	EACH	6	6					
60300350	MANHOLE FRAMES TO BE ADJUSTED	EACH	4	4					
63100167	TRAFFIC BARRIER TERMINAL, TYPE 1 (SPECIAL) TANGENT	EACH	5		5				
63200310	GUARDRAIL REMOVAL	FOOT	250		250				
67000400	ENGINEER'S FIELD OFFICE, TYPE A	CAL MO	6	6					
67100100	MOBILIZATION	L SUM	1	1					
70100450	TRAFFIC CONTROL AND PROTECTION, STANDARD 701201	L SUM	1	1					
70100460	TRAFFIC CONTROL AND PROTECTION, STANDARD 701306	L SUM	1	1					
70100500	TRAFFIC CONTROL AND PROTECTION, STANDARD 701326	L SUM	1	1					
70102622	TRAFFIC CONTROL AND PROTECTION, STANDARD 701502	L SUM	1	1					
70102632	TRAFFIC CONTROL AND PROTECTION, STANDARD 701602	L SUM	1	1					
70102635	TRAFFIC CONTROL AND PROTECTION, STANDARD 701701	L SUM	1	1					
70102640	TRAFFIC CONTROL AND PROTECTION, STANDARD 701801	L SUM	1			1			
70103815	TRAFFIC CONTROL SURVEILLANCE	CAL DAY	10	10					
70300100	SHORT-TERM PAVEMENT MARKING	FOOT	31,514	31,514					
70301000	WORK ZONE PAVEMENT MARKING REMOVAL	SQ FT	3,260	3,260					

-- 325, 42
-- (15, 21)RS-7, 22RS-4, 24RS-8

FILE NAME = c:\pwork\puidot\sparksg\09222005\0672067.sht-500.dgn	USER NAME = sparksg	DESIGNED - RTS	REVISED -	STATE OF ILLINOIS DEPARTMENT OF TRANSPORTATION	SUMMARY OF QUANTITIES			F.A.P. RTE.	SECTION	COUNTY	TOTAL SHEETS	SHEET NO.
		DRAWN - RTS	REVISED -		SCALE:	SHEET NO. 2 OF 4 SHEETS	STA.	TO STA.	MONTGOMERY	80	4	
		CHECKED -	REVISED -		CONTRACT NO.							
		DATE - 06-16-11	REVISED -		ILLINOIS FED. AID PROJECT							

IL. RTE. 127
F.A.P. 42
RURAL

IL. RTE 16
F.A.P. 325
URBAN

SUMMARY OF QUANTITIES				OTCOL				
CODE NO.	ITEM	UNIT	TOTAL QUANTITY	L2SEC	L2SEC	TOTAL BREAKOUT	L2SEL	L2SEL
				80% FEDERAL	80% FEDERAL	50% STATE	80% FEDERAL	64% FEDERAL
				20% STATE	20% STATE	50% LOCAL (PARKING LANE)	10% STATE	16% STATE
				CODE 0005	CODE 0021	CODE 0005	CODE 0021	CODE 0021
* 72000100	SIGN PANEL, TYPE 1	SQ FT	18	18				
* 72800100	TELESCOPING STEEL SIGN SUPPORT	FOOT	24	24				
* 78000300	THERMOPLASTIC PAVEMENT MARKING - LINE 5"	FOOT	26,275	26,275				
* 78000400	THERMOPLASTIC PAVEMENT MARKING - LINE 6"	FOOT	290	290				
* 78000500	THERMOPLASTIC PAVEMENT MARKING - LINE 8"	FOOT	1,417	1,417				
* 78000600	THERMOPLASTIC PAVEMENT MARKING - LINE 12"	FOOT	655	655				
* 78001120	PAINT PAVEMENT MARKING - LINE 5"	FOOT	90,057	90,057				
* 78004200	PREFORMED PLASTIC PAVEMENT MARKING, TYPE B - INLAID - LETTERS & SYMBOLS	SQ FT	1,332	1,332				
* 78004220	PREFORMED PLASTIC PAVEMENT MARKING, TYPE B - INLAID - LINE 5"	FOOT	264	264				
* 78004230	PREFORMED PLASTIC PAVEMENT MARKING, TYPE B - INLAID - LINE 6"	FOOT	3,303	3,303				
* 78004280	PREFORMED PLASTIC PAVEMENT MARKING, TYPE B - INLAID - LINE 24"	FOOT	948.8	948.8				
* 78100100	RAISED REFLECTIVE PAVEMENT MARKER	EACH	691	691				
* 78201000	TERMINAL MARKER - DIRECT APPLIED	EACH	5		5			
	78300200	RAISED REFLECTIVE PAVEMENT MARKER REMOVAL	EACH	691	691			
* 87301215	ELECTRIC CABLE IN CONDUIT, SIGNAL NO. 14, 2C	FOOT	6			6		
* 87301225	ELECTRIC CABLE IN CONDUIT, SIGNAL NO. 14, 3C	FOOT	30			30		
* 87301245	ELECTRIC CABLE IN CONDUIT, SIGNAL NO. 14, 5C	FOOT	39			39		
* 87301265	ELECTRIC CABLE IN CONDUIT, SIGNAL NO. 14, 9C	FOOT	65			65		
* 87301275	ELECTRIC CABLE IN CONDUIT, SIGNAL NO. 14, 12C	FOOT	39			39		
* 87502700	TRAFFIC SIGNAL POST, ALUMINUM, 16 FT.	EACH	7			7		
* 88040070	SIGNAL HEAD, POLYCARBONATE, LED, 1-FACE, 3-SECTION, BRACKET MOUNTED	EACH	7			7		
* 88040090	SIGNAL HEAD, POLYCARBONATE, LED, 1-FACE, 3-SECTION, MAST ARM MOUNTED	EACH	6			6		
* 88040120	SIGNAL HEAD, POLYCARBONATE, LED, 1-FACE, 4-SECTION, MAST ARM MOUNTED	EACH	2			2		

*SPECIALTY ITEM

FILE NAME =	USER NAME = sparksgw	DESIGNED - RTS	REVISED -	STATE OF ILLINOIS DEPARTMENT OF TRANSPORTATION	SUMMARY OF QUANTITIES	F.A.P. RTE.	SECTION	COUNTY	TOTAL SHEETS	SHEET NO.	
et:\p\work\p\rida\sparksgw\d0222005\0672067-shc-900.dgn	DRAWN - RTS	REVISED -									
PLOT SCALE = 36.0000 / 1 in.	CHECKED -	REVISED -									
PLOT DATE = Aug-25-2011 10:06:11AM	DATE - 06-16-11	REVISED -									
					SCALE:	SHEET NO. 3 OF 4 SHEETS		STA.	TO STA.		
							MONTGOMERY		80	5	
							CONTRACT NO.				
							ILLINOIS FED. AID PROJECT				

.. 325, 42
... (15, 2)RS-7, 22RS-4, 24RS-8

IL. RTE 127
F.A.P. 42

IL. RTE. 16
F.A.P. 325

RURAL

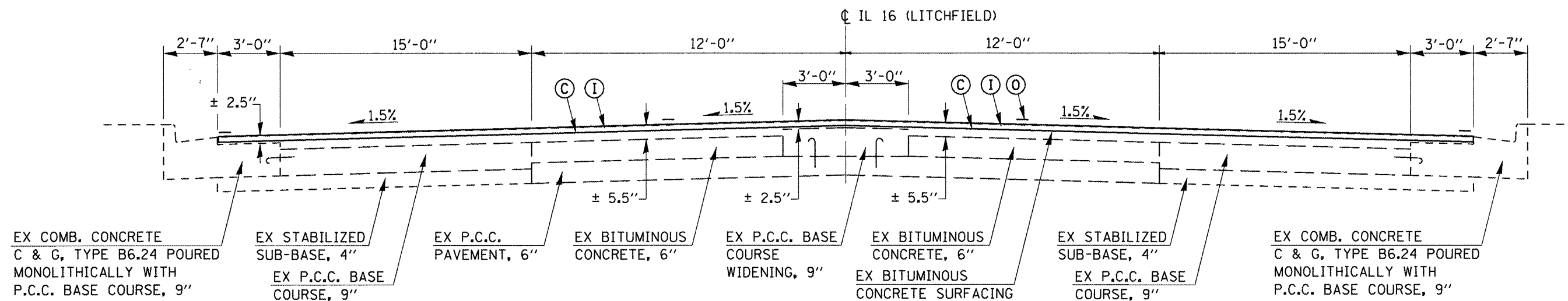
OTCOL URBAN

CODE NO.	ITEM	UNIT	TOTAL QUANTITY	L25EC		TOTAL BREAKOUT		L2SEL	
				80% FEDERAL 20% STATE CODE 0005	80% FEDERAL 20% STATE CODE 0021	50% STATE 50% LOCAL (PARKING LANE) CODE 0005	80% FEDERAL 10% STATE 10% LOCAL (LITCHFIELD) CODE 0021	80% FEDERAL 20% LOCAL CODE 0021	
				* 88040160	SIGNAL HEAD, POLYCARBONATE, LED, 1-FACE, 5-SECTION, MAST ARM MOUNTED	EACH	6		
* 88040250	SIGNAL HEAD, POLYCARBONATE, LED, 2-FACE, 1-3 SECTION, 1-4 SECTION, BRACKET MOUNTED	EACH	2				2		
* 88040260	SIGNAL HEAD, POLYCARBONATE, LED, 2-FACE, 1-3 SECTION, 1-5 SECTION, BRACKET MOUNTED	EACH	4				4		
* 88040330	SIGNAL HEAD, POLYCARBONATE, LED, 3-FACE, 2-3 SECTION, 1-5 SECTION, BRACKET MOUNTED	EACH	1				1		
* 88102825	PEDESTRIAN SIGNAL HEAD, POLYCARBONATE, LED 1-FACE, BRACKET MOUNTED WITH COUNT DOWN TIMER	EACH	4				4		
* 88102845	PEDESTRIAN SIGNAL HEAD, POLYCARBONATE, LED 2-FACE, BRACKET MOUNTED WITH COUNT DOWN TIMER	EACH	6				6		
* 88200100	TRAFFIC SIGNAL BACKPLATES	EACH	38				38		
* 88800100	PEDESTRIAN PUSH-BUTTON	EACH	16				16		
89502375	REMOVE EXISTING TRAFFIC SIGNAL EQUIPMENT	EACH	2				2		
X4401198	HOT-MIX ASPHALT SURFACE REMOVAL, VARIABLE DEPTH	SQ YD	85,429	85,429					
X4404260	PAVED SHOULDER REMOVAL SPECIAL	SQ YD	21,071	21,071					
Z004866	RAILROAD PROTECTIVE LIABILITY INSURANCE	L SUM	1	1					

* SPECIALTY ITEM

325, 42
15, 21RS-7, 22RS-4, 24RS-8

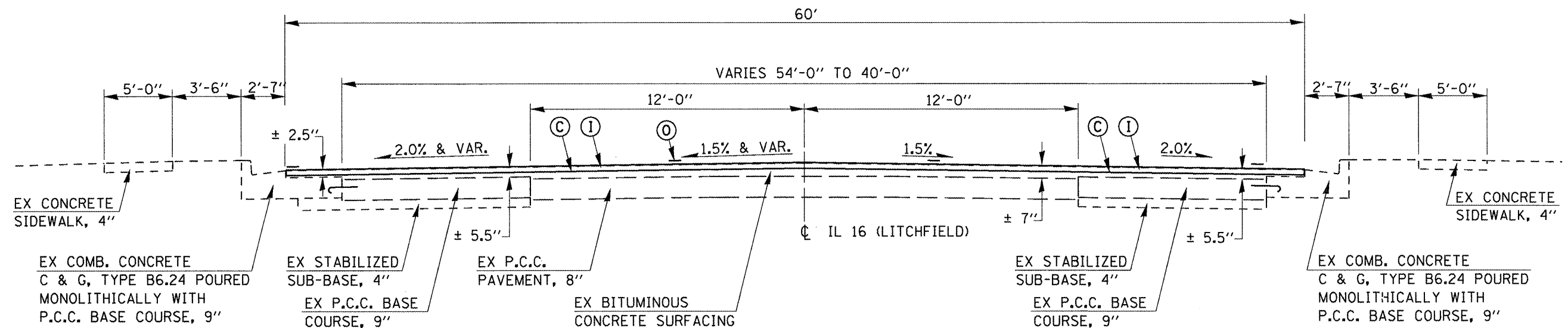
FILE NAME = c:\pwork\pwork\sparksgu\d0222005\0672067-shc-500.dgn	USER NAME = sparksgu	DESIGNED - RTS	REVISED -	STATE OF ILLINOIS DEPARTMENT OF TRANSPORTATION	SUMMARY OF QUANTITIES			F.A.P. RTE.	SECTION	COUNTY	TOTAL SHEETS	SHEET NO.
PLOT SCALE = 36.0000' / 1" =	DRAWN - RTS	CHECKED -	REVISED -					*	**	MONTGOMERY	80	6
PLOT DATE = Aug-25-2011 10:06:21AM	DATE - 06-16-11	REVISED -			SCALE:	SHEET NO. 4 OF 4 SHEETS	STA.	TO STA.	ILLINOIS FED. AID PROJECT			
CONTRACT NO.												



TYPICAL #A

STA. 923+67.05 TO STA. 926+63.60

PROPOSED LEGEND	
(A) HMA SURFACE REMOVAL, VARIABLE DEPTH (1/2" @ C)	(I) HMA SURFACE COURSE, MIX "D", N70, 2"
(B) HMA SURFACE REMOVAL, 2 1/4"	(J) HMA SURFACE COURSE, MIX "D", N70, 2 1/4" (AVG. DEPTH)
(C) HMA SURFACE REMOVAL, 2"	(K) OMITTED
(D) PAVED SHOULDER REMOVAL SPECIAL, 6"	(L) HMA SHOULDERS, 6 1/4"
(E) HMA SURFACE REMOVAL, VARIABLE DEPTH	(M) HMA SHOULDERS, 6 1/2"
(F) EXCAVATING AND GRADING EXISTING SHOULDERS	(N) AGGREGATE WEDGE SHOULDER, TYPE B
(G) LEVELING BINDER (MACHINE METHOD), N70, 3/4"	(O) PAVEMENT MARKING LINE
(H) HMA SURFACE COURSE, MIX "D", N70, 1 1/2"	(P) PAVED SHOULDER REMOVAL SPECIAL, 8"

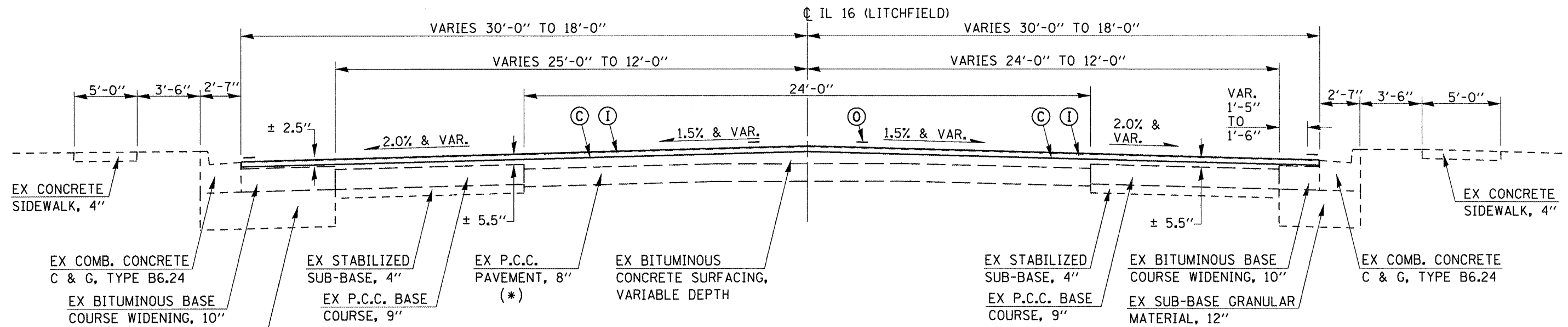


TYPICAL #B

STA. 926+63.60 TO STA. 928+82.90

-- (15, 21)RS-7, 22RS-4, 24RS-8
 ** 42, 325

FILE NAME =	USER NAME = sparkgw	DESIGNED - RTS	REVISED -	STATE OF ILLINOIS DEPARTMENT OF TRANSPORTATION	TYPICAL CROSS SECTIONS (LITCHFIELD)			F.A.P. RTE.	SECTION	COUNTY	TOTAL SHEETS	SHEET NO.	
o:\pw\work\p\dot\sparkgw\d0222005\0672067-ah-typicel.dgn		DRAWN - RTS	REVISED -		SCALE:	SHEET NO. 1 OF 11 SHEETS	STA.	TO STA.	MONTGOMERY	80	7
PLDT SCALE = 48.0000' / in.		CHECKED -	REVISED -										
PLDT DATE = Aug-25-2011 10:14:20AM		DATE - 4-26-11	REVISED -										
								CONTRACT NO. 72067					
								FED. ROAD DIST. NO. ILLINOIS FED. AID PROJECT					



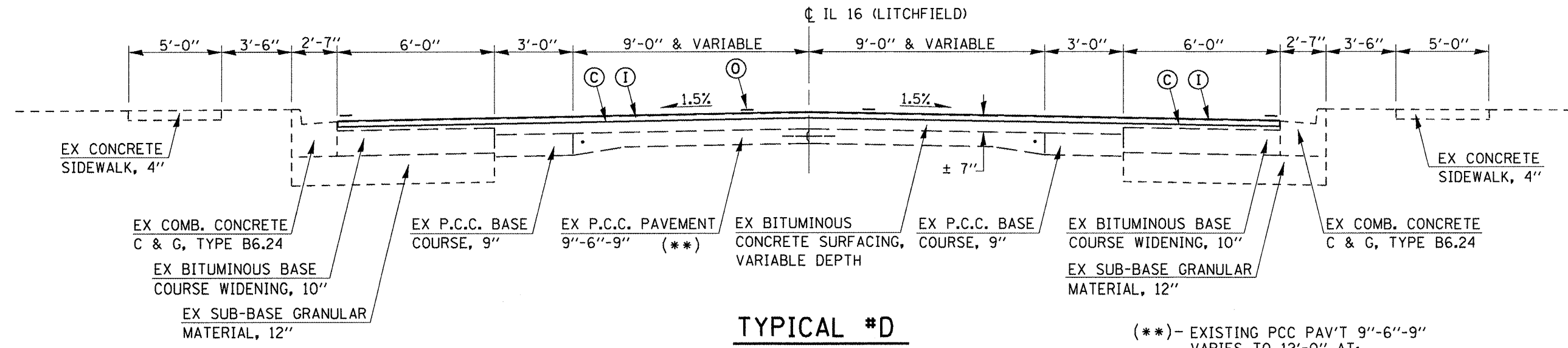
TYPICAL #C

STA. 928+82.90 TO STA. 934+45.32

(*)- EXISTING 24' PCC PAVEMENT 8" @:
 STA 920+82.9 TO 932+05.00
 EXISTING 18' PCC PAVEMENT 9"-6"-9" @:
 STA 932+05.00 TO 934+45.32
 (W/METAL JOINT AND 3/4 " SMOOTH BAR)

PROPOSED LEGEND	
ⓐ	HMA SURFACE REMOVAL, 2"
ⓑ	HMA SURFACE COURSE, MIX "D", N70, 2"
ⓒ	PAVEMENT MARKING LINE

SEE SHEET 7 FOR COMPLETE LIST OF PROPOSED ITEMS



TYPICAL #D

STA. 934+45.32 TO STA. 942+12.70

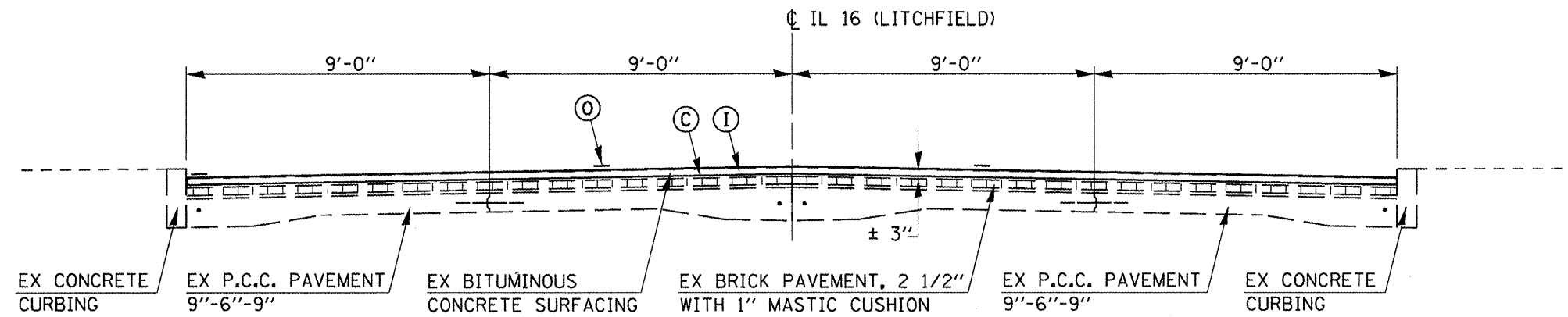
STATION EQUATION:
 STA. 942+12.70 (BK.) = STA. 0+00.00 (AHD.)
 STA. 0+00.00 TO STA. 0+13.85

(**)- EXISTING PCC PAV'T 9"-6"-9"
 VARIES TO 12'-0" AT:
 STA 941+03.00 TO 942+27.00

FILE NAME =	USER NAME = sparksgw	DESIGNED - RTS	REVISED -	STATE OF ILLINOIS DEPARTMENT OF TRANSPORTATION	TYPICAL CROSS SECTIONS (LITCHFIELD)			F.A.P. RTE.	SECTION	COUNTY	TOTAL SHEETS	SHEET NO.
a:\pwork\pwork\sparksgw\02222005\067	2007-08-21 10:14:20AM	DRAWN - RTS	REVISED -		SCALE:	SHEET NO. 2 OF 11 SHEETS	STA.	TO STA.	MONTGOMERY	80	8	
		CHECKED -	REVISED -									
		DATE - 4-26-11	REVISED -									

-- (15, 21RS-7, 22RS-4, 24RS-8
 -- 42, 325

F.A.P. RTE.	SECTION	COUNTY	TOTAL SHEETS	SHEET NO.
		MONTGOMERY	80	8
CONTRACT NO. 72D67				
FED. ROAD DIST. NO. ILLINOIS FED. AID PROJECT				

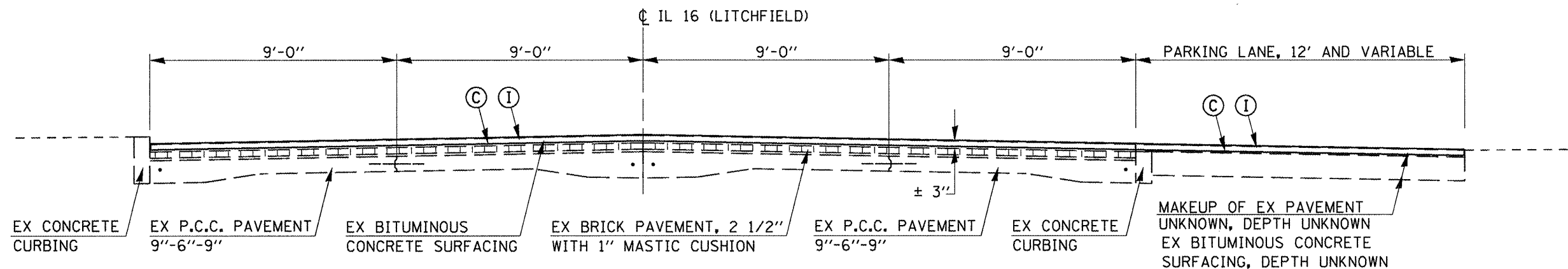


TYPICAL #E

RAILROAD OMISSION:
 STA. 0+13.85 TO STA. 0+22.42
 STA. 0+22.42 TO STA. 02+58.51
RAILROAD OMISSION:
 STA. 2+58.51 TO STA. 3+73.86
 STA. 3+73.86 TO STA. 15+73.48

PROPOSED LEGEND	
ⓐ	HMA SURFACE REMOVAL, 2"
ⓑ	HMA SURFACE COURSE, MIX "D", N70, 2"
ⓐ	PAVEMENT MARKING LINE

SEE SHEET 7 FOR COMPLETE LIST OF PROPOSED ITEMS

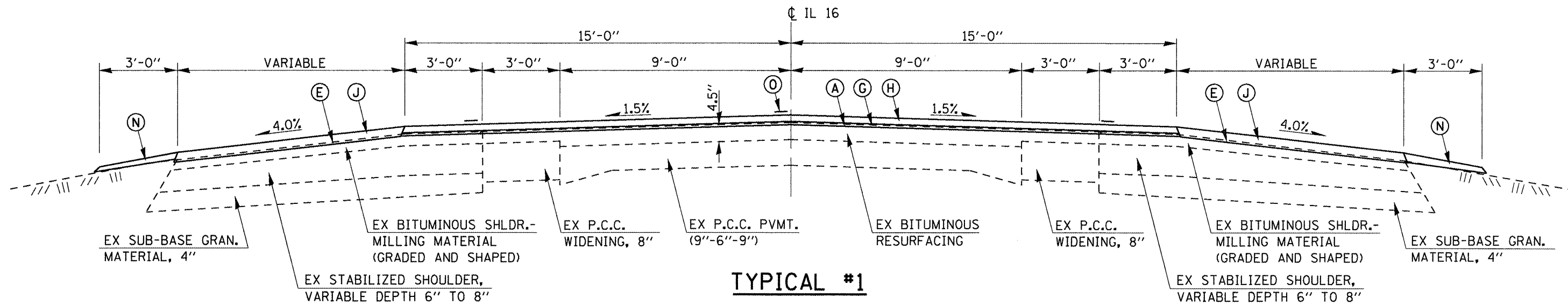


TYPICAL #F

STA. 15+73.48 TO STA. 19+97.28

-- (15, 21)RS-7, 22RS-4, 24RS-8
 -- 42, 325

FILE NAME =	USER NAME = sparkgw	DESIGNED - RTS	REVISED -	STATE OF ILLINOIS DEPARTMENT OF TRANSPORTATION	TYPICAL CROSS SECTIONS (LITCHFIELD)			F.A.P. RTE.	SECTION	COUNTY	TOTAL SHEETS	SHEET NO.
c:\pwork\pwork\sparkgw\08222005\0672067-ah-typical.dgn	PLDT SCALE = 48.0000' / in.	DRAWN - RTS	REVISED -		SCALE:	SHEET NO. 3 OF 11 SHEETS	STA.	TO STA.	MONTGOMERY	80	9	
PLDT DATE = Aug-25-2011 10:14:21AM	DATE - 4-26-11	CHECKED -	REVISED -		FED. ROAD DIST. NO.	ILLINOIS FED. AID PROJECT			CONTRACT NO. 72D67			
		REVISOR -	REVISED -									



TYPICAL #1

STA. 100+64.00 TO STA. 101+16.00
 STA. 156+47.26 TO STA. 158+40.49

BRIDGE APPROACH PAVEMENT:

STA. 158+40.79 TO STA. 158+75.41 *

BRIDGE OMISSION:

STA. 158+75.41 TO STA. 160+32.99

BRIDGE APPROACH PAVEMENT:

STA. 160+32.99 TO STA. 160+67.61 *

STA. 160+67.70 TO STA. 162+60.32

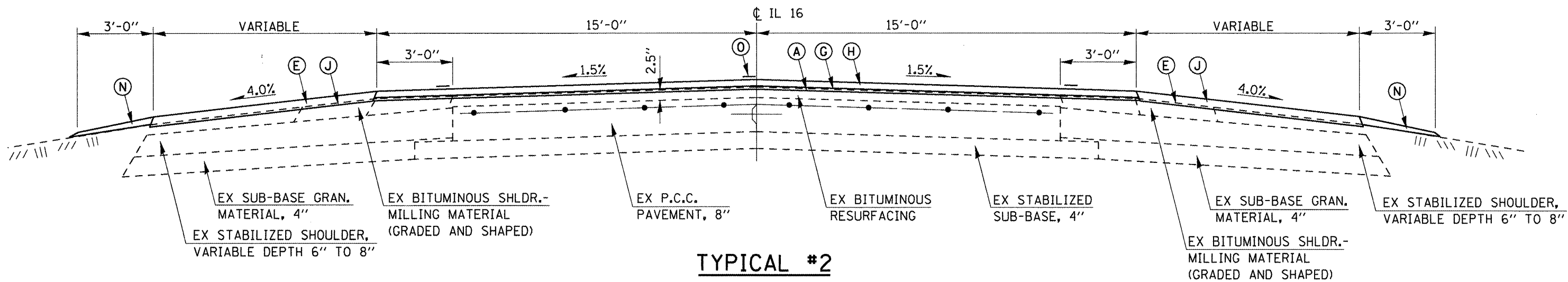
* — INCLUDES BRIDGE APPROACH PAVEMENT CONNECTOR

PROPOSED LEGEND

- | | |
|--|---|
| (A) HMA SURFACE REMOVAL, VARIABLE DEPTH (1/2" @ C) | (I) HMA SURFACE COURSE, MIX "D", N70, 2" |
| (B) HMA SURFACE REMOVAL, 2 1/4" | (J) HMA SURFACE COURSE, MIX "D", N70, 2 1/4" (AVG. DEPTH) |
| (C) HMA SURFACE REMOVAL, 2" | (K) OMITTED |
| (D) PAVED SHOULDER REMOVAL SPECIAL, 6" | (L) HMA SHOULDERS, 6 1/4" |
| (E) HMA SURFACE REMOVAL, VARIABLE DEPTH | (M) HMA SHOULDERS, 6 1/2" |
| (F) EXCAVATING AND GRADING EXISTING SHOULDERS | (N) AGGREGATE WEDGE SHOULDER, TYPE B |
| (G) LEVELING BINDER (MACHINE METHOD), N70, 3/4" | (O) PAVEMENT MARKING LINE |
| (H) HMA SURFACE COURSE, MIX "D", N70, 1 1/2" | (P) PAVED SHOULDER REMOVAL SPECIAL, 8" |

-- (15, 21RS-7, 22RS-4, 24RS-8
 -- 42, 325

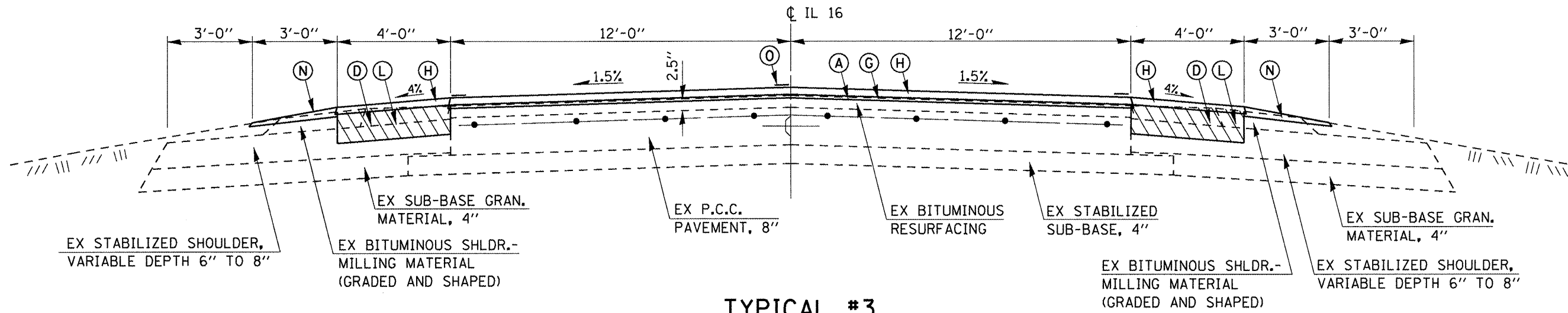
FILE NAME =	USER NAME = sparkgw	DESIGNED - RTS	REVISED -	STATE OF ILLINOIS DEPARTMENT OF TRANSPORTATION	TYPICAL CROSS SECTIONS			F.A.P. RTE.	SECTION	COUNTY	TOTAL SHEETS	SHEET NO.	
cr:\pw_work\pwidot\sparkgw\d0222805\0672067-sh-typ10e1.dgn		DRAWN - RTS	REVISED -		SCALE:	SHEET NO. 4 OF 11 SHEETS	STA.	TO STA.	MONTGOMERY	80	10
	PLDT SCALE = 48.0000' / in.	CHECKED -	REVISED -		CONTRACT NO. 72D67								
	PLDT DATE = Aug-25-2011 10:14:21AM	DATE - 4-26-11	REVISED -		FED. ROAD DIST. NO. ILLINOIS FED. AID PROJECT								



TYPICAL #2

STA. 101+16.00 TO STA. 104+09.05 (LEFT)
 STA. 101+16.00 TO STA. 105+36.70 (RIGHT)

PROPOSED LEGEND	
(A)	HMA SURFACE REMOVAL, VARIABLE DEPTH (1/2" @ C)
(D)	PAVED SHOULDER REMOVAL SPECIAL, 6"
(E)	HMA SURFACE REMOVAL, VARIABLE DEPTH
(G)	LEVELING BINDER (MACHINE METHOD), N70, 3/4"
(H)	HMA SURFACE COURSE, MIX "D", N70, 1 1/2"
(J)	HMA SURFACE COURSE, MIX "D", N70, 2 1/4" (AVG. DEPTH)
(L)	HMA SHOULDERS, 6 1/4"
(N)	AGGREGATE WEDGE SHOULDER, TYPE B
(O)	PAVEMENT MARKING LINE



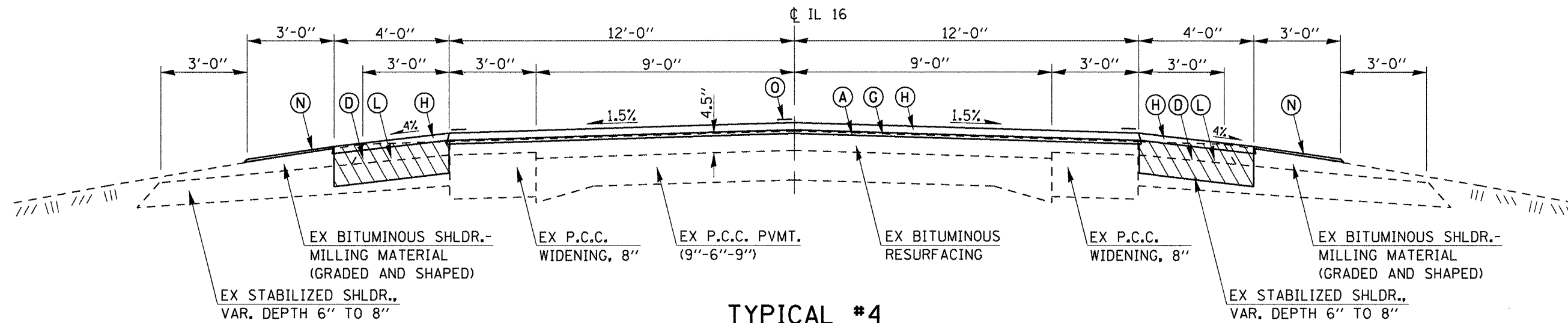
TYPICAL #3

STA. 104+09.05 (LEFT) TO STA. 131+27.83
 STA. 105+36.70 (RIGHT) TO STA. 131+27.83

STATION EQUATION:
 STA. 131+27.83 (BK.) = STA. 131+19.80 (AHD.)

-- (15, 21)RS-7, 22RS-4, 24RS-8
 -- 42, 325

FILE NAME =	USER NAME = sparkgw	DESIGNED - RTS	REVISED -	STATE OF ILLINOIS DEPARTMENT OF TRANSPORTATION	TYPICAL CROSS SECTIONS			F.A.P. RTE.	SECTION	COUNTY	TOTAL SHEETS	SHEET NO.
o:\pw\work\p\d02\sparkgw\d0222005\0672067-ahc-tp001.dgn	PLT SCALE = 48.0000' / in.	DRAWN - RTS	REVISED -		SCALE:	SHEET NO. 5 OF 11 SHEETS	STA.	TO STA.	MONTGOMERY	80	11	
	PLT DATE = Aug-25-2011 10:14:21AM	CHECKED -	REVISED -						CONTRACT NO. 72067			
		DATE - 4-26-11	REVISED -						FED. ROAD DIST. NO. ILLINOIS FED. AID PROJECT			

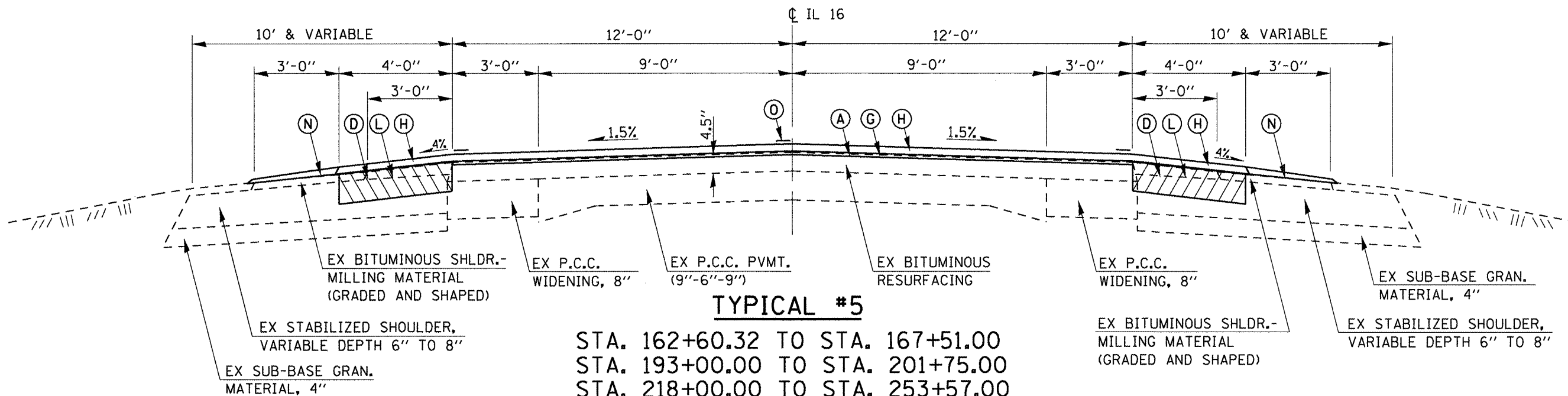


TYPICAL #4

STA. 131+19.80 TO STA. 156+47.26

PROPOSED LEGEND

- (A) HMA SURFACE REMOVAL, VARIABLE DEPTH (1/2" @ 1')
- (D) PAVED SHOULDER REMOVAL SPECIAL, 6"
- (E) HMA SURFACE REMOVAL, VARIABLE DEPTH
- (G) LEVELING BINDER (MACHINE METHOD), N70, 3/4"
- (H) HMA SURFACE COURSE, MIX "D", N70, 1 1/2"
- (J) HMA SURFACE COURSE, MIX "D", N70, 2 1/4" (AVG. DEPTH)
- (L) HMA SHOULDERS, 6 1/4"
- (N) AGGREGATE WEDGE SHOULDER, TYPE B
- (O) PAVEMENT MARKING LINE



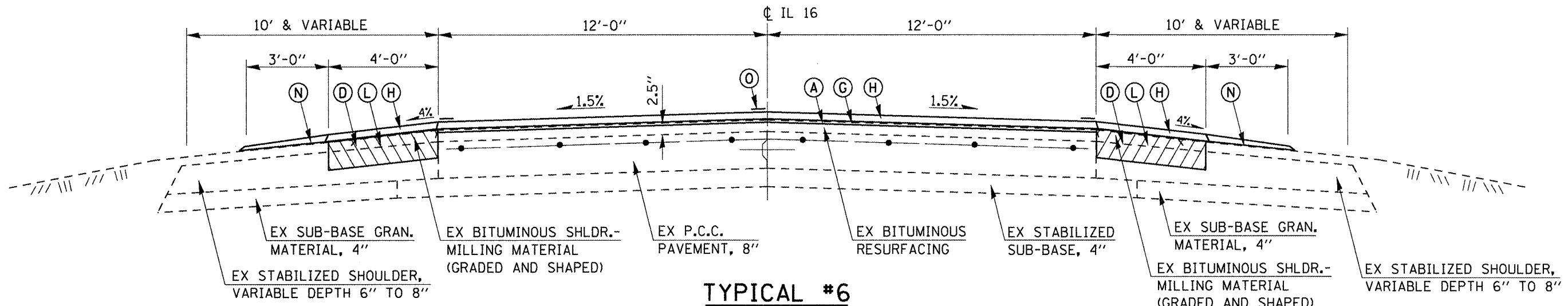
TYPICAL #5

STA. 162+60.32 TO STA. 167+51.00
 STA. 193+00.00 TO STA. 201+75.00
 STA. 218+00.00 TO STA. 253+57.00
 STA. 260+17.00 TO STA. 267+00.00
 STA. 298+00.00 TO STA. 338+00.08 *

* - PAVEMENT STD. 1909-5, METHOD I,
 OVER EXISTING CULVERT
 STA. 324+47.69 TO STA. 325+05.31

-- (15, 2)RS-7, 22RS-4, 24RS-8
 -- 42, 325

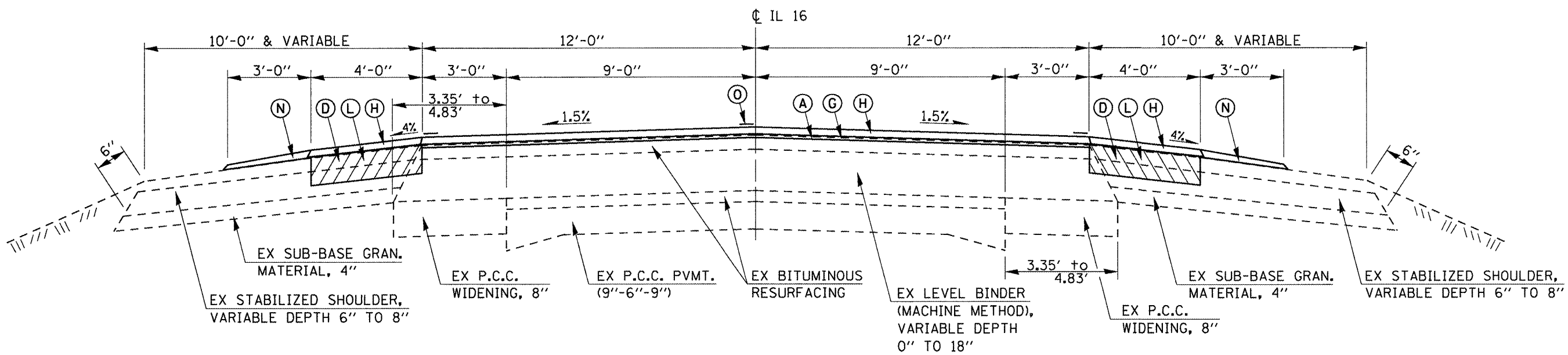
FILE NAME =	USER NAME = sparksgw	DESIGNED - RTS	REVISED -	STATE OF ILLINOIS DEPARTMENT OF TRANSPORTATION	TYPICAL CROSS SECTIONS			F.A.P. RTE.	SECTION	COUNTY	TOTAL SHEETS	SHEET NO.
c:\pwork\widot\sparksgw\d0222005\0672067-ah-typical.dgn		DRAWN - RTS	REVISED -		SCALE:	SHEET NO. 6 OF 11 SHEETS	STA.	TO STA.	MONTGOMERY	80	12	
PLDT SCALE = 48.0000' / in.		CHECKED -	REVISED -		CONTRACT NO. 72067							
PLDT DATE = Aug-25-2011 10:14:22AM		DATE - 4-26-11	REVISED -		FED. ROAD DIST. NO. ILLINOIS FED. AID PROJECT							



TYPICAL #6

STA. 167+51.00 TO STA. 193+00.00
 STA. 201+75.00 TO STA. 218+00.00
 STA. 267+00.00 TO STA. 277+49.25
BRIDGE APPROACH PAVEMENT:
 STA. 277+49.25 TO STA. 277+89.25
BRIDGE OMISSION:
 STA. 277+89.25 TO STA. 279+42.33
BRIDGE APPROACH PAVEMENT:
 STA. 279+42.33 TO STA. 279+82.33
 STA. 279+82.33 TO STA. 298+00.00

PROPOSED LEGEND	
(A)	HMA SURFACE REMOVAL, VARIABLE DEPTH (1/2" @ C)
(D)	PAVED SHOULDER REMOVAL SPECIAL, 6"
(E)	HMA SURFACE REMOVAL, VARIABLE DEPTH
(G)	LEVELING BINDER (MACHINE METHOD), N70, 3/4"
(H)	HMA SURFACE COURSE, MIX "D", N70, 1 1/2"
(J)	HMA SURFACE COURSE, MIX "D", N70, 2 1/4" (AVG. DEPTH)
(L)	HMA SHOULDERS, 6 1/4"
(N)	AGGREGATE WEDGE SHOULDER, TYPE B
(O)	PAVEMENT MARKING LINE

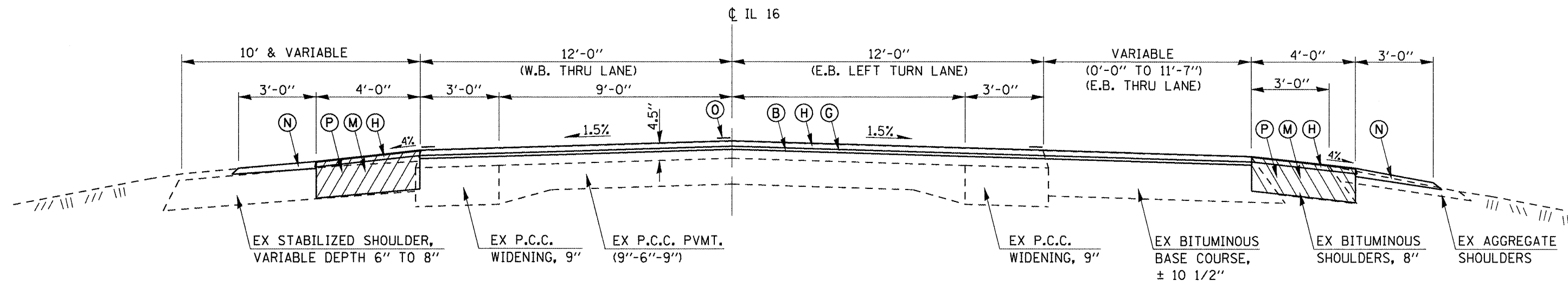


TYPICAL #7

STA. 253+57.00 TO STA. 260+17.00

-- (15, 21)RS-7, 22RS-4, 24RS-8
 -- 42, 325

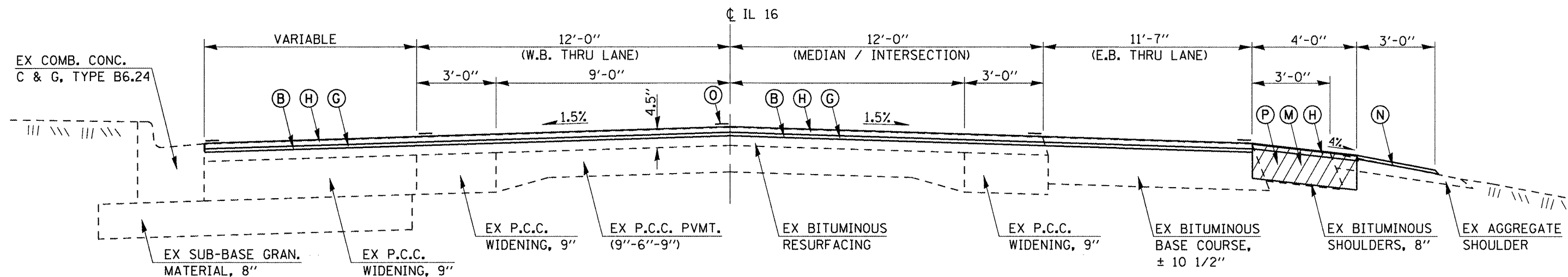
FILE NAME =	USER NAME = sparksgw	DESIGNED - RTS	REVISED -	STATE OF ILLINOIS DEPARTMENT OF TRANSPORTATION	TYPICAL CROSS SECTIONS		F.A.P. RTE.	SECTION	COUNTY	TOTAL SHEETS	SHEET NO.
c:\pwork\pwork\sparksgw\0222005\0672067-ah-typicel.dgn	DRAWN - RTS	REVISED -	REVISED -		SCALE:	SHEET NO. 7 OF 11 SHEETS	STA.	TO STA.	MONTGOMERY	80	13
PLDT SCALE = 40,0000' / in.	CHECKED -	REVISED -	REVISED -		FED. ROAD DIST. NO.	ILLINOIS FED. AID PROJECT			CONTRACT NO. 72D67		
PLDT DATE = Aug-25-2011 10:14:23AM	DATE - 4-26-11	REVISED -	REVISED -								



TYPICAL #8

STA. 338+00.08 TO STA. 347+06.35

PROPOSED LEGEND	
(A) HMA SURFACE REMOVAL, VARIABLE DEPTH (1/2" @ ϕ)	(I) HMA SURFACE COURSE, MIX "D", N70, 2"
(B) HMA SURFACE REMOVAL, 2 1/4"	(J) HMA SURFACE COURSE, MIX "D", N70, 2 1/4" (AVG. DEPTH)
(C) HMA SURFACE REMOVAL, 2"	(K) OMITTED
(D) PAVED SHOULDER REMOVAL SPECIAL, 6"	(L) HMA SHOULDERS, 6 1/4"
(E) HMA SURFACE REMOVAL, VARIABLE DEPTH	(M) HMA SHOULDERS, 6 1/2"
(F) EXCAVATING AND GRADING EXISTING SHOULDERS	(N) AGGREGATE WEDGE SHOULDER, TYPE B
(G) LEVELING BINDER (MACHINE METHOD), N70, 3/4"	(O) PAVEMENT MARKING LINE
(H) HMA SURFACE COURSE, MIX "D", N70, 1 1/2"	(P) PAVED SHOULDER REMOVAL SPECIAL, 8"

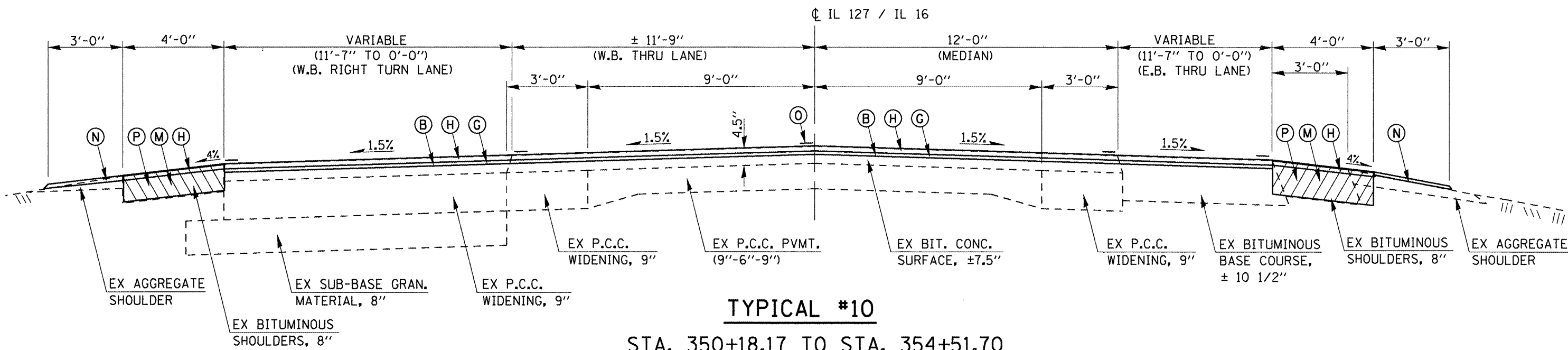


TYPICAL #9

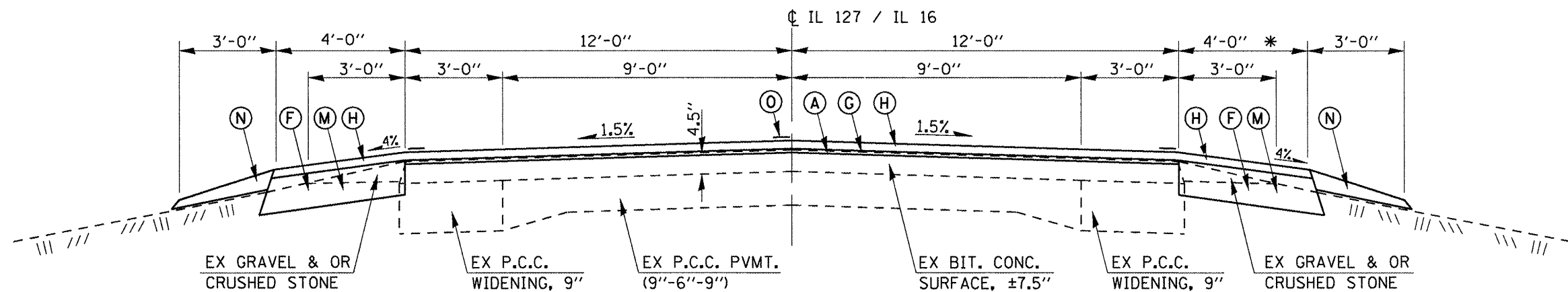
STA. 347+06.35 TO STA. 350+18.17

FILE NAME =	USER NAME = sparkgw	DESIGNED - RTS	REVISED -	STATE OF ILLINOIS DEPARTMENT OF TRANSPORTATION	TYPICAL CROSS SECTIONS		F.A.P. RTE.	SECTION	COUNTY	TOTAL SHEETS	SHEET NO.
e:\pwwork\pwwork\sparkgw\d0222805\0672067-ah-typ1001.dgn	PLDT SCALE = 48.0000' / in.	DRAWN - RTS	REVISED -		SCALE:	SHEET NO. 8 OF 11 SHEETS	STA.	TO STA.	MONTGOMERY	80	14
	PLDT DATE = Aug-25-2011 10:14:23AM	CHECKED -	REVISED -						CONTRACT NO. 72D67		
		DATE - 4-26-11	REVISED -						FED. ROAD DIST. NO. [ILLINOIS] FED. AID PROJECT		

-- (15, 21RS-7, 22RS-4, 24RS-8
-- 42, 325



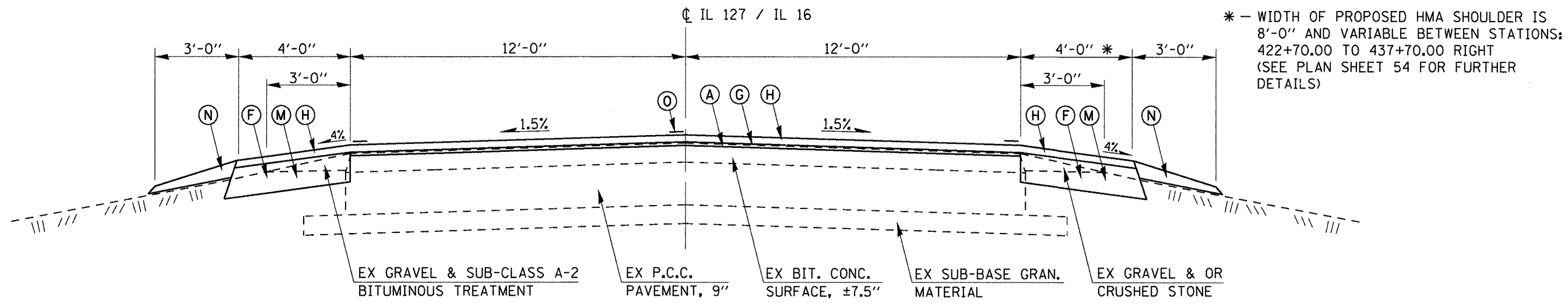
PROPOSED LEGEND	
(A) HMA SURFACE REMOVAL, VARIABLE DEPTH (1/2" @ ϕ)	(I) HMA SURFACE COURSE, MIX "D", N70, 2"
(B) HMA SURFACE REMOVAL, 2 1/4"	(J) HMA SURFACE COURSE, MIX "D", N70, 2 1/4" (AVG. DEPTH)
(C) HMA SURFACE REMOVAL, 2"	(K) OMITTED
(D) PAVED SHOULDER REMOVAL SPECIAL, 6"	(L) HMA SHOULDERS, 6 1/4"
(E) HMA SURFACE REMOVAL, VARIABLE DEPTH	(M) HMA SHOULDERS, 6 1/2"
(F) EXCAVATING AND GRADING EXISTING SHOULDERS	(N) AGGREGATE WEDGE SHOULDER, TYPE B
(G) LEVELING BINDER (MACHINE METHOD), N70, 3/4"	(O) PAVEMENT MARKING LINE
(H) HMA SURFACE COURSE, MIX "D", N70, 1 1/2"	(P) PAVED SHOULDER REMOVAL SPECIAL, 8"



* - WIDTH OF PROPOSED HMA SHOULDER IS 8'-0" AND VARIABLE BETWEEN STATIONS: 422+70.00 TO 437+70.00 RIGHT (SEE PLAN SHEET 54 FOR FURTHER DETAILS)

-- (15, 21)RS-7, 22RS-4, 24RS-8
-- 42, 325

FILE NAME =	USER NAME = sparksgw	DESIGNED - RTS	REVISED -	STATE OF ILLINOIS DEPARTMENT OF TRANSPORTATION	TYPICAL CROSS SECTIONS			F.A.P. RTE.	SECTION	COUNTY	TOTAL SHEETS	SHEET NO.	
o:\pwork\pwork\sparksgw\d0222005\0672067-ahs-typicel.dgn		DRAWN - RTS	REVISED -		SCALE:	SHEET NO. 9 OF 11 SHEETS	STA.	TO STA.	..	.	MONTGOMERY	80	15
PLDT SCALE = 40,0000' / in.		CHECKED -	REVISED -								CONTRACT NO. 72D67		
PLDT DATE = Aug-25-2011 10:14:23AM		DATE - 4-26-11	REVISED -						FED. ROAD DIST. NO.	ILLINOIS FED. AID PROJECT			

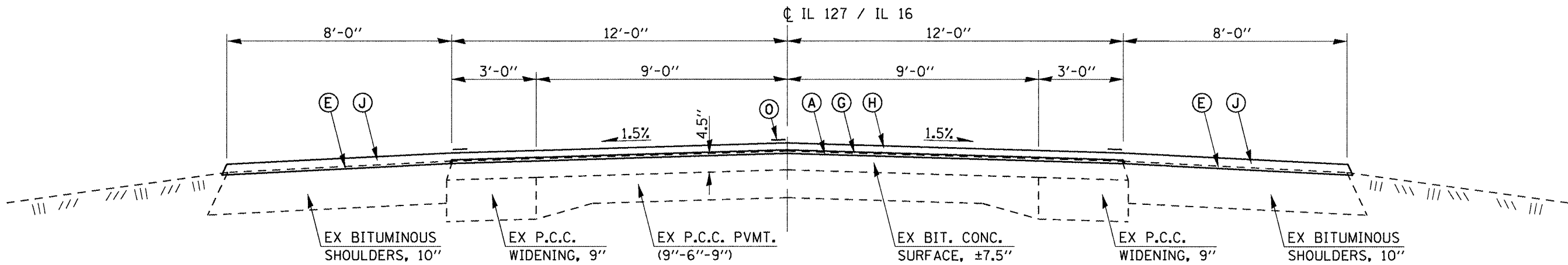


* - WIDTH OF PROPOSED HMA SHOULDER IS 8'-0" AND VARIABLE BETWEEN STATIONS: 422+70.00 TO 437+70.00 RIGHT (SEE PLAN SHEET 54 FOR FURTHER DETAILS)

TYPICAL #12

STA. 367+72.00 TO STA. 428+69.55
 STATION EQUATION:
 STA. 428+69.55 (BK.) = STA. 433+70.11 (AHD.)
 STA. 433+70.11 TO 434+68.00

PROPOSED LEGEND	
(A)	HMA SURFACE REMOVAL, VARIABLE DEPTH (1/2" @ C)
(E)	HMA SURFACE REMOVAL, VARIABLE DEPTH
(F)	EXCAVATING AND GRADING EXISTING SHOULDERS
(G)	LEVELING BINDER (MACHINE METHOD), N70, 3/4"
(H)	HMA SURFACE COURSE, MIX "D", N70, 1 1/2"
(J)	HMA SURFACE COURSE, MIX "D", N70, 2 1/4" (AVG. DEPTH)
(M)	HMA SHOULDERS, 6 1/2"
(N)	AGGREGATE WEDGE SHOULDER, TYPE B
(O)	PAVEMENT MARKING LINE

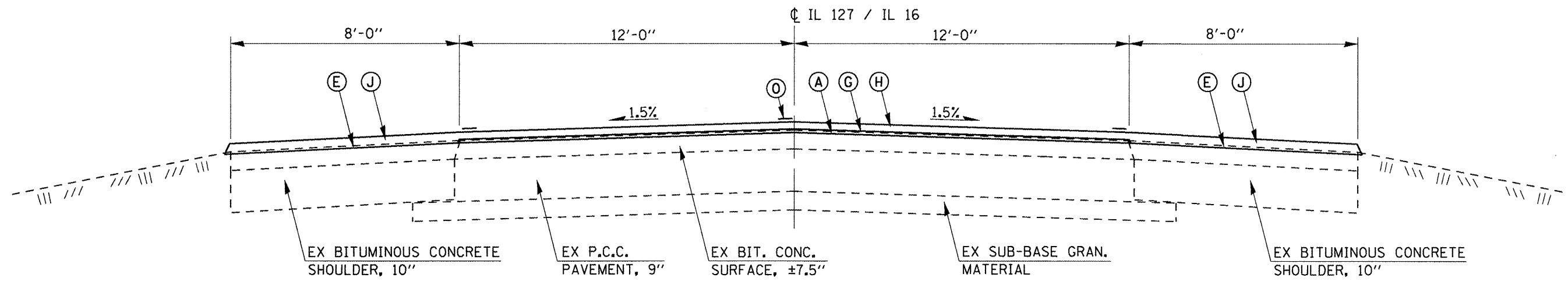


TYPICAL #13

STA. 437+70.00 TO STA. 440+45.08

-- (15, 21)RS-7, 22RS-4, 24RS-8
 -- 42, 325

FILE NAME =	USER NAME = sparkagw	DESIGNED - RTS	REVISED -	STATE OF ILLINOIS DEPARTMENT OF TRANSPORTATION	TYPICAL CROSS SECTIONS			F.A.P. RTE.	SECTION	COUNTY	TOTAL SHEETS	SHEET NO.	
o:\pwork\pwork\sparkagw\0222005\0672067-ah-typico1.dgn	PLLOT SCALE = 48.0000' / in.	DRAWN - RTS	REVISED -		SCALE:	SHEET NO. 10 OF 11 SHEETS	STA.	TO STA.	**	*	MONTGOMERY	80	16
	PLLOT DATE = Aug-25-2011 10:14:24AM	CHECKED -	REVISED -										
		DATE - 4-26-11	REVISED -						FED. ROAD DIST. NO.	ILLINOIS FED. AID PROJECT			CONTRACT NO. 72067

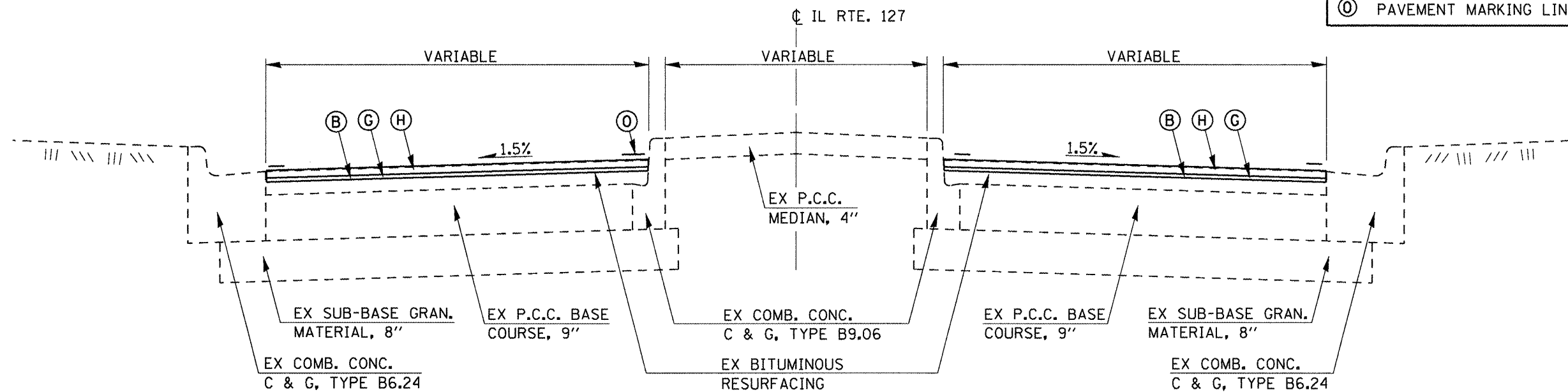


TYPICAL #14

STA. 440+45.08 TO STA. 441+25.00

PROPOSED LEGEND

- (A) HMA SURFACE REMOVAL, VARIABLE DEPTH (1/2" @ ϕ)
- (B) HMA SURFACE REMOVAL, 1 1/2"
- (C) HMA SURFACE REMOVAL, 2"
- (E) HMA SURFACE REMOVAL, VARIABLE DEPTH
- (F) EXCAVATING AND GRADING EXISTING SHOULDERS
- (G) LEVELING BINDER (MACHINE METHOD), N70, 3/4"
- (H) HMA SURFACE COURSE, MIX "D", N70, 1 1/2"
- (I) HMA SURFACE COURSE, MIX "D", N70, 2"
- (J) HMA SURFACE COURSE, MIX "D", N70, 2 1/4" (AVG. DEPTH)
- (M) HMA SHOULDERS, 6 1/2"
- (N) AGGREGATE WEDGE SHOULDER, TYPE B
- (O) PAVEMENT MARKING LINE



TYPICAL #15

STA. 1560+47.42 TO STA. 1558+79.42 (LEFT)
 STA. 1560+47.70 TO STA. 1559+22.20 (RIGHT)

-- (15, 21)RS-7, 22RS-4, 24RS-8
 ** 42, 325

FILE NAME =	USER NAME = sparkgw	DESIGNED - RTS	REVISED -	STATE OF ILLINOIS DEPARTMENT OF TRANSPORTATION	TYPICAL CROSS SECTIONS			F.A.P. RTE.	SECTION	COUNTY	TOTAL SHEETS	SHEET NO.
o:\pwork\pwork\sparkgw\d0222005\0672067-shr-typic01.dgn		DRAWN - RTS	REVISED -		SCALE:	SHEET NO. 11 OF 11 SHEETS	STA.	TO STA.	MONTGOMERY	80	17	CONTRACT NO. 72D67
		CHECKED -	REVISED -						ILLINOIS	FED. AID PROJECT		
		DATE - 4-26-11	REVISED -									

HOT-MIX ASPHALT SURFACE REMOVAL, MAINLINE PAVEMENT

LOCATION	PAVEMENT WIDTH	DISTANCE OF RUN	PAVEMENT AREA	HMA SURFACE REMOVAL VARIABLE DEPTH (1/2" @ CENTERLINE)	HMA SURFACE REMOVAL, 2"	HMA SURFACE REMOVAL, 2 1/4"
	(FOOT)	(FOOT)	(SQ FT)	(SQ YD)	(SQ YD)	(SQ YD)
IL RTE. 16 IN LITCHFIELD						
STA 923+77.05 TO STA 928+00.00	VARIABLE	422.95	42,457.13		4,717.46	
STA 928+00.00 TO STA 933+75.00	VARIABLE	575.00	29,421.00		3,269.00	
STA 933+75.00 TO STA 938+00.00	VARIABLE	425.00	15,206.52		1,689.62	
STA 938+00.00 TO STA 942+12.70 BK	VARIABLE	412.70	14,770.07		1,641.12	
STA EQUATION: 942+12.70 (BK.) = 0+00.00 (AHD.)						
STA 0+00.00 AH TO STA 0+13.85	VARIABLE	13.85	502.00		55.78	
STA 0+22.42 TO STA 1+50.00	VARIABLE	127.58	4,740.06		526.67	
STA 1+50.00 TO STA 2+85.53	VARIABLE	135.53	4,964.98		551.67	
STA 3+16.12 TO STA 7+15.00	VARIABLE	398.88	14,960.12		1,662.23	
STA 7+15.00 TO STA 12+40.00	VARIABLE	525.00	19,124.04		2,124.89	
STA 12+40.00 TO STA 18+00.00	VARIABLE	560.00	23,255.50		2,583.95	
STA 18+00.00 TO STA 19+97.28	VARIABLE	197.28	9,930.22		1,103.36	
IL RTE. 16 RURAL MAINLINE						
STA 100+99.00 TO STA 102+19.50	29 TO 30.5	120.50	3,584.89	398.32		
STA 102+19.50 TO STA 104+50.00	30	230.50	6,915.00	768.33		
STA 104+50.00 TO STA 110+50.00	30	600.00	18,000.00	2,000.00		
STA 110+50.00 TO STA 116+25.00	24	575.00	13,800.00	1,533.33		
STA 116+25.00 TO STA 121+75.00	24	550.00	13,200.00	1,466.67		
STA 121+75.00 TO STA 127+50.00	24	575.00	13,800.00	1,533.33		
STA 127+50.00 TO STA 131+27.83	24	377.83	9,067.92	1,007.55		
STA EQUATION: 131+27.83 (BK.) = 131+19.80 (AHD.)						
STA 131+19.80 TO STA 132+75.00	24	155.20	3,724.80	413.87		
STA 132+75.00 TO STA 138+25.00	24	550.00	13,200.00	1,466.67		
STA 138+25.00 TO STA 143+75.00	24	550.00	13,200.00	1,466.67		
STA 143+75.00 TO STA 149+25.00	24	550.00	13,200.00	1,466.67		
STA 149+25.00 TO STA 154+75.00	24	550.00	13,200.00	1,466.67		
STA 154+75.00 TO STA 155+12.71	24	37.71	905.04	100.56		
STA 155+12.71 TO STA 156+47.26	24	134.55	3,229.20	358.80		
STA 156+47.26 TO STA 157+90.49	24	143.23	3,437.52	381.95		
WEST FORK OF SHOAL CREEK						
STA 161+17.71 TO STA 165+75.00	24	457.29	10,974.96	1,219.44		
STA 165+75.00 TO STA 176+75.00	24	1,100.00	26,400.00	2,933.33		
STA 176+75.00 TO STA 187+75.00	24	1,100.00	26,400.00	2,933.33		
STA 187+75.00 TO STA 198+75.00	24	1,100.00	26,400.00	2,933.33		
STA 198+75.00 TO STA 209+75.00	24	1,100.00	26,400.00	2,933.33		
STA 209+75.00 TO STA 220+75.00	24	1,100.00	26,400.00	2,933.33		
STA 220+75.00 TO STA 231+75.00	24	1,100.00	26,400.00	2,933.33		
STA 231+75.00 TO STA 242+75.00	24	1,100.00	26,400.00	2,933.33		
STA 242+75.00 TO STA 253+75.00	24	1,100.00	26,400.00	2,933.33		
STA 253+75.00 TO STA 264+75.00	24	1,100.00	26,400.00	2,933.33		
STA 264+75.00 TO STA 275+75.00	24	1,100.00	26,400.00	2,933.33		
STA 275+75.00 TO STA 277+25.00	24	150.00	3,600.00	400.00		

HOT-MIX ASPHALT SURFACE REMOVAL, MAINLINE PAVEMENT (CONTINUED)

LOCATION	PAVEMENT WIDTH	DISTANCE OF RUN	PAVEMENT AREA	HMA SURFACE REMOVAL VARIABLE DEPTH (1/2" @ CENTERLINE)	HMA SURFACE REMOVAL, 2"	HMA SURFACE REMOVAL, 2 1/4"
	(FOOT)	(FOOT)	(SQ FT)	(SQ YD)	(SQ YD)	(SQ YD)
BRUSH CREEK						
STA 280+06.00 TO STA 286+75.00	24	669.00	16,056.00	1,784.00		
STA 286+75.00 TO STA 297+75.00	24	1,100.00	26,400.00	2,933.33		
STA 297+75.00 TO STA 308+75.00	24	1,100.00	26,400.00	2,933.33		
STA 308+75.00 TO STA 319+75.00	24	1,100.00	26,400.00	2,933.33		
STA 319+75.00 TO STA 330+75.00	24	1,100.00	26,400.00	2,933.33		
STA 330+75.00 TO STA 338+00.08	24	725.08	17,401.92	1,933.55		
STA 338+00.08 TO STA 338+50.08	* 24	50.00	1,200.00			133.33
STA 338+50.08 TO STA 343+22.50	24 TO 35.6	472.42	14,078.00			1,564.22
STA 343+22.50 TO STA 346+75.00	35.6	352.50	12,541.95			1,393.55
STA 346+75.00 TO STA 349+94.19	35.6	319.19	11,356.78			1,261.86
STA 349+94.19 TO STA 354+51.70	36 TO 24	457.51	13,725.00			1,525.00
STA 354+51.70 TO STA 355+64.76	24	113.06	2,713.44			301.49
STA 355+64.76 TO STA 356+14.76	* 24	50.00	1,200.00			133.33
STA 356+14.76 TO STA 358+15.00	24	200.24	4,805.76	533.97		
STA 358+15.00 TO STA 365+00.00	24	685.00	16,440.00	1,826.67		
STA 365+00.00 TO STA 376+00.00	24	1,100.00	26,400.00	2,933.33		
STA 376+00.00 TO STA 387+00.00	24	1,100.00	26,400.00	2,933.33		
STA 387+00.00 TO STA 398+00.00	24	1,100.00	26,400.00	2,933.33		
STA 398+00.00 TO STA 409+00.00	24	1,100.00	26,400.00	2,933.33		
STA 409+00.00 TO STA 420+00.00	24	1,100.00	26,400.00	2,933.33		
STA 420+00.00 TO STA 428+89.55	24	869.55	20,869.20	2,318.80		
STA EQUATION: 428+89.55 (BK.) = 433+70.11 (AHD.)						
STA 433+70.11 TO STA 436+50.00	24	279.89	6,717.36	746.37		
STA 436+50.00 TO STA 440+75.00	24	475.00	11,400.00	1,266.67		
IL RTE. 16 / IL RTE. 127 INTERSECTION (INCLUDING WESTBOUND RIGHT TURN LANE)						
STA 1560+47.90 TO STA 1558+89.42	VARIABLE	158.48	15,634.50			1,737.17
TOTALS:			1,004,110.88	83,592.17	19,925.74	8,049.95

-- (15, 21)RS-7, 22RS-4, 24RS-8
 -- 42, 325

FILE NAME =	USER NAME = sparkgw	DESIGNED - RTS	REVISED -	STATE OF ILLINOIS DEPARTMENT OF TRANSPORTATION	SCHEDULES OF QUANTITIES			F.A.P. RTE.	SECTION	COUNTY	TOTAL SHEETS	SHEET NO.
er\pwwork\pwwork\sparkgw\d0222805\0672067-shit-schedule.dgn	PLT SCALE = 100.0000' / 1"	DRAWN - RTS	REVISED -					**	*	MONTGOMERY	80	18
	PLT DATE = Aug-25-2011 10:14:27AM	CHECKED -	REVISED -		SCALE: SHEET NO. 1 OF 18 SHEETS STA. TO STA.			CONTRACT NO. 72D67				
		DATE - 04-26-11	REVISED -		ILLINOIS FED. AID PROJECT							

HOT-MIX ASPHALT SHOULDER REMOVAL, LEFT SIDE								
LOCATION		SHOULDER WIDTH OF REMOVAL, LEFT	DISTANCE OF RUN	SHOULDER AREA	PAVED SHOULDER REMOVAL SPECIAL, 6"	PAVED SHOULDER REMOVAL SPECIAL, 8"	HMA SURFACE REMOVAL VARIABLE DEPTH	
		(FOOT)	(FOOT)	(SQ FT)	(SQ YD)	(SQ YD)	(SQ YD)	
IL RTE.16 MAINLINE								
STA 100+99.00	TO	STA 102+19.50	7.0	120.50	843.50		93.72	
STA 102+19.50	TO	STA 104+06.00	8.0 TO 7.0	186.50	1,398.75		155.42	
STA 104+50.00	TO	STA 110+50.00	4.0	600.00	2,400.00	266.67		
STA 110+50.00	TO	STA 116+25.00	4.0	575.00	2,300.00	255.56		
STA 116+25.00	TO	STA 121+75.00	4.0	550.00	2,200.00	244.44		
STA 121+75.00	TO	STA 127+25.00	4.0	550.00	2,200.00	244.44		
STA 127+25.00	TO	STA 131+27.83	4.0	402.83	1,611.32	179.04		
STA EQUATION: 131+27.83 (BK.) = 131+19.80 (AHD.)								
STA 131+19.80	TO	STA 132+75.00	4.0	155.20	620.80	68.98		
STA 132+75.00	TO	STA 138+25.00	4.0	550.00	2,200.00	244.44		
STA 138+25.00	TO	STA 143+75.00	4.0	550.00	2,200.00	244.44		
STA 143+75.00	TO	STA 149+25.00	4.0	550.00	2,200.00	244.44		
STA 149+25.00	TO	STA 154+75.00	4.0	550.00	2,200.00	244.44		
STA 154+75.00	TO	STA 156+47.26	4.0	172.26	689.04	76.56		
STA 156+47.26	TO	STA 158+40.49	7.7	193.23	1,487.87		165.32	
WEST FORK OF SHOAL CREEK								
STA 160+67.70	TO	STA 162+60.32	7.7	192.62	1,483.17		164.80	
STA 162+60.32	TO	STA 165+75.00	4.0	314.68	1,258.72	139.86		
STA 165+75.00	TO	STA 176+75.00	4.0	1,100.00	4,400.00	488.89		
STA 176+75.00	TO	STA 187+75.00	4.0	1,100.00	4,400.00	488.89		
STA 187+75.00	TO	STA 198+75.00	4.0	1,100.00	4,400.00	488.89		
STA 198+75.00	TO	STA 209+75.00	4.0	1,100.00	4,400.00	488.89		
STA 209+75.00	TO	STA 215+77.50	4.0	602.50	2,410.00	267.78		
STA 217+35.00	TO	STA 220+75.00	4.0	340.00	1,360.00	151.11		
STA 220+75.00	TO	STA 231+75.00	4.0	1,100.00	4,400.00	488.89		
STA 231+75.00	TO	STA 242+75.00	4.0	1,100.00	4,400.00	488.89		
STA 242+75.00	TO	STA 242+93.00	4.0	18.00	72.00	8.00		
STA 243+32.00	TO	STA 253+75.00	4.0	1,043.00	4,172.00	463.56		
STA 253+75.00	TO	STA 264+75.00	4.0	1,100.00	4,400.00	488.89		
STA 264+75.00	TO	STA 275+25.00	4.0	1,050.00	4,200.00	466.67		
STA 275+25.00	TO	STA 277+25.00	4.0	200.00	800.00	88.89		
BRUSH CREEK								
STA 280+06.00	TO	STA 282+20.00	4.0	214.00	856.00	95.11		
STA 282+20.00	TO	STA 295+41.50	4.0	1,321.50	5,286.00	587.33		
STA 296+07.50	TO	STA 297+75.00	4.0	167.50	670.00	74.44		
STA 297+75.00	TO	STA 308+75.00	4.0	1,100.00	4,400.00	488.89		
STA 308+75.00	TO	STA 319+75.00	4.0	1,100.00	4,400.00	488.89		
STA 319+75.00	TO	STA 330+75.00	4.0	1,100.00	4,400.00	488.89		
STA 330+75.00	TO	STA 336+00.00	4.0	525.00	2,100.00	233.33		
STA 336+00.00	TO	STA 338+00.08	4.0	200.08	800.32	88.92		
STA 338+00.08	TO	STA 347+06.35	4.0	906.27	3,625.08		402.79	
IL RTE.16 / IL RTE. 127 INTERSECTION								
STA 350+18.17	TO	STA 352+25.00	4.0	206.83	827.32		91.92	
STA 352+25.00	TO	STA 355+64.76	4.0	339.76	1,359.04		151.00	
STA 437+70.00	TO	STA 441+25.00	8.0	355.00	2,840.00		315.56	
TOTALS:				24,702.26	102,670.94	9,867.37	645.71	894.82

HOT-MIX ASPHALT SHOULDER REMOVAL, RIGHT SIDE								
LOCATION		SHOULDER WIDTH OF REMOVAL, RIGHT	DISTANCE OF RUN	SHOULDER AREA	PAVED SHOULDER REMOVAL SPECIAL, 6"	PAVED SHOULDER REMOVAL SPECIAL, 8"	HMA SURFACE REMOVAL VARIABLE DEPTH	
		(FOOT)	(FOOT)	(SQ FT)	(SQ YD)	(SQ YD)	(SQ YD)	
IL RTE.16 MAINLINE								
STA 100+99.00	TO	STA 102+19.50	11.3 TO 9.7	120.50	1,265.25		140.58	
STA 102+19.50	TO	STA 105+02.40	9.7 TO 4.0	282.90	2,210.00		245.56	
STA 105+02.40	TO	STA 110+50.00	4.0	547.60	2,190.40	243.38		
STA 110+50.00	TO	STA 116+25.00	4.0	575.00	2,300.00	255.56		
STA 116+25.00	TO	STA 121+75.00	4.0	550.00	2,200.00	244.44		
STA 121+75.00	TO	STA 122+10.00	4.0	35.00	140.00	15.56		
STA 122+50.00	TO	STA 127+25.00	4.0	475.00	1,900.00	211.11		
STA 127+25.00	TO	STA 131+27.83	4.0	402.83	1,611.32	179.04		
STA EQUATION: 131+27.83 (BK.) = 131+19.80 (AHD.)								
STA 131+19.80	TO	STA 132+75.00	4.0	155.20	620.80	68.98		
STA 132+75.00	TO	STA 143+75.00	4.0	1,100.00	4,400.00	488.89		
STA 143+75.00	TO	STA 154+75.00	4.0	1,100.00	4,400.00	488.89		
STA 154+75.00	TO	STA 156+47.26	4.0	172.26	689.04	76.56		
STA 156+47.26	TO	STA 158+40.49	7.7	193.23	1,487.87		165.32	
WEST FORK OF SHOAL CREEK								
STA 160+67.70	TO	STA 162+60.32	7.7	192.62	1,483.17		164.80	
STA 162+60.32	TO	STA 165+75.00	4.0	314.68	1,258.72	139.86		
STA 165+75.00	TO	STA 176+75.00	4.0	1,100.00	4,400.00	488.89		
STA 176+75.00	TO	STA 179+25.50	4.0	250.50	1,002.00	111.33		
STA 180+12.00	TO	STA 187+75.00	4.0	763.00	3,052.00	339.11		
STA 187+75.00	TO	STA 198+75.00	4.0	1,100.00	4,400.00	488.89		
STA 198+75.00	TO	STA 205+00.00	4.0	625.00	2,500.00	277.78		
STA 206+14.00	TO	STA 209+75.00	4.0	361.00	1,444.00	160.44		
STA 209+75.00	TO	STA 220+75.00	4.0	1,100.00	4,400.00	488.89		
STA 220+75.00	TO	STA 229+54.00	4.0	879.00	3,516.00	390.67		
STA 230+39.00	TO	STA 231+75.00	4.0	136.00	544.00	60.44		
STA 231+75.00	TO	STA 242+75.00	4.0	1,100.00	4,400.00	488.89		
STA 242+75.00	TO	STA 253+75.00	4.0	1,100.00	4,400.00	488.89		
STA 253+75.00	TO	STA 264+75.00	4.0	1,100.00	4,400.00	488.89		
STA 264+75.00	TO	STA 275+25.00	4.0	1,050.00	4,200.00	466.67		
STA 275+25.00	TO	STA 277+25.00	4.0	200.00	800.00	88.89		
BRUSH CREEK								
STA 280+06.00	TO	STA 282+20.00	4.0	214.00	856.00	95.11		
STA 282+20.00	TO	STA 297+75.00	4.0	1,555.00	6,220.00	691.11		
STA 297+75.00	TO	STA 308+75.00	4.0	1,100.00	4,400.00	488.89		
STA 308+75.00	TO	STA 310+55.00	4.0	180.00	720.00	80.00		
STA 311+49.50	TO	STA 319+75.00	4.0	825.50	3,302.00	366.89		
STA 319+75.00	TO	STA 330+75.00	4.0	1,100.00	4,400.00	488.89		
STA 330+75.00	TO	STA 336+00.00	4.0	525.00	2,100.00	233.33		
STA 336+00.00	TO	STA 338+00.08	4.0	200.08	800.32	88.92		
STA 338+00.08	TO	STA 346+75.00	4.0	874.92	3,499.68		388.85	
IL RTE.16 / IL RTE. 127 INTERSECTION								
STA 346+75.00	TO	STA 352+25.00	4.0	550.00	2,200.00		244.44	
STA 352+25.00	TO	STA 355+64.76	4.0	339.76	1,359.04		151.00	
STA 437+70.00	TO	STA 441+25.00	8.0	355.00	2,840.00		315.56	
TOTALS:				24,900.58	104,312.27	9,774.09	784.29	941.68

-- (15, 21)RS-7, 22RS-4, 24RS-8
 ** 42, 325

HOT-MIX ASPHALT SURFACE COURSE, MAINLINE PAVEMENT

LOCATION			PAVEMENT WIDTH	DISTANCE OF RUN	PAVEMENT AREA	PAVEMENT AREA	BITUMINOUS MATERIALS (PRIME COAT)	AGGREGATE (PRIME COAT)	HMA LEVELING BINDER, (MM), N70, 3/4"	HMA SURFACE COURSE, MIX "D", N70, 1 1/2"	HMA SURFACE COURSE, MIX "D", N70, 2"
			(FOOT)	(FOOT)	(SQ FT)	(SQ YD)	(TON)	(TON)	(TON)	(TON)	(TON)
IL RTE. 16 IN LITCHFIELD											
STA 923+67.05	TO	STA 928+00.00	VARIABLE	432.95	44,235.00	4,915.00	1.87	9.83			550.48
STA 928+00.00	TO	STA 933+75.00	VARIABLE	575.00	29,421.00	3,269.00	1.24	6.54			366.13
STA 933+75.00	TO	STA 938+00.00	VARIABLE	425.00	15,206.52	1,689.62	0.64	3.38			189.24
STA 938+00.00	TO	STA 942+12.70 BK	VARIABLE	412.70	14,770.07	1,641.12	0.62	3.28			183.81
STA. EQUATION: 942+12.70 (BK.) = 0+00.00 (AHD.)											
STA 0+00.00 AH	TO	STA 0+13.85	VARIABLE	13.85	502.00	55.78	0.02	0.11			6.25
STA 0+22.42	TO	STA 1+50.00	VARIABLE	127.58	4,740.06	526.67	0.20	1.05			58.99
STA 1+50.00	TO	STA 2+85.00	VARIABLE	135.53	4,964.98	551.67	0.21	1.10			61.79
STA 3+16.12	TO	STA 7+15.00	VARIABLE	398.88	14,960.12	1,662.23	0.63	3.32			186.17
STA 7+15.00	TO	STA 12+40.00	VARIABLE	525.00	19,124.04	2,124.89	0.81	4.25			237.99
STA 12+40.00	TO	STA 18+00.00	VARIABLE	560.00	23,255.50	2,583.95	0.98	5.17			289.40
STA 18+00.00	TO	STA 19+97.28	VARIABLE	197.28	9,930.22	1,103.36	0.42	2.21			123.58
IL RTE. 16 MAINLINE											
STA 100+64.00	TO	STA 102+19.50	29 TO 30.5	155.50	4,626.13	514.01	0.20	1.03	21.59	43.18	
STA 102+19.50	TO	STA 104+50.00	30	230.50	6,915.00	768.33	0.29	1.54	32.27	64.54	
STA 104+50.00	TO	STA 110+50.00	30	600.00	18,000.00	2,000.00	0.76	4.00	84.00	168.00	
STA 110+50.00	TO	STA 116+25.00	24	575.00	13,800.00	1,533.33	0.58	3.07	64.40	128.80	
STA 116+25.00	TO	STA 121+75.00	24	550.00	13,200.00	1,466.67	0.56	2.93	61.60	123.20	
STA 121+75.00	TO	STA 127+50.00	24	575.00	13,800.00	1,533.33	0.58	3.07	64.40	128.80	
STA 127+50.00	TO	STA 131+27.83	24	377.83	9,067.92	1,007.55	0.38	2.02	42.32	84.63	
STA. EQUATION: 131+27.83 (BK.) = 131+19.80 (AHD.)											
STA 131+19.80	TO	STA 132+75.00	24	155.20	3,724.80	413.87	0.16	0.83	17.38	34.76	
STA 132+75.00	TO	STA 138+25.00	24	550.00	13,200.00	1,466.67	0.56	2.93	61.60	123.20	
STA 138+25.00	TO	STA 143+75.00	24	550.00	13,200.00	1,466.67	0.56	2.93	61.60	123.20	
STA 143+75.00	TO	STA 149+25.00	24	550.00	13,200.00	1,466.67	0.56	2.93	61.60	123.20	
STA 149+25.00	TO	STA 154+75.00	24	550.00	13,200.00	1,466.67	0.56	2.93	61.60	123.20	
STA 154+75.00	TO	STA 155+12.71	24	37.71	905.04	100.56	0.04	0.20	4.22	8.45	
STA 155+12.71	TO	STA 156+47.26	24	134.55	3,229.20	358.80	0.14	0.72	15.07	30.14	
STA 156+47.26	TO	STA 158+40.49	24	193.23	4,637.52	515.28	0.20	1.03	21.64	43.28	
WEST FORK OF SHOAL CREEK											
STA 160+67.70	TO	STA 165+75.00	24	507.30	12,175.20	1,352.77	0.51	2.71	56.82	113.63	
STA 165+75.00	TO	STA 176+75.00	24	1,100.00	26,400.00	2,933.33	1.11	5.87	123.20	246.40	
STA 176+75.00	TO	STA 187+75.00	24	1,100.00	26,400.00	2,933.33	1.11	5.87	123.20	246.40	
STA 187+75.00	TO	STA 198+75.00	24	1,100.00	26,400.00	2,933.33	1.11	5.87	123.20	246.40	
STA 198+75.00	TO	STA 209+75.00	24	1,100.00	26,400.00	2,933.33	1.11	5.87	123.20	246.40	
STA 209+75.00	TO	STA 220+75.00	24	1,100.00	26,400.00	2,933.33	1.11	5.87	123.20	246.40	
STA 220+75.00	TO	STA 231+75.00	24	1,100.00	26,400.00	2,933.33	1.11	5.87	123.20	246.40	
STA 231+75.00	TO	STA 242+75.00	24	1,100.00	26,400.00	2,933.33	1.11	5.87	123.20	246.40	
STA 242+75.00	TO	STA 253+75.00	24	1,100.00	26,400.00	2,933.33	1.11	5.87	123.20	246.40	
STA 253+75.00	TO	STA 264+75.00	24	1,100.00	26,400.00	2,933.33	1.11	5.87	123.20	246.40	
STA 264+75.00	TO	STA 275+75.00	24	1,100.00	26,400.00	2,933.33	1.11	5.87	123.20	246.40	
STA 275+75.00	TO	STA 277+25.00	24	150.00	3,600.00	400.00	0.15	0.80	16.80	33.60	

SCHEDULE CONTINUED, NEXT SHEET →

-- (15, 21RS-7, 22RS-4, 24RS-8
--- 42, 325

FILE NAME =	USER NAME = sparkgw	DESIGNED - RTS	REVISED -	STATE OF ILLINOIS DEPARTMENT OF TRANSPORTATION	SCHEDULES OF QUANTITIES			F.A.P. RTE.	SECTION	COUNTY	TOTAL SHEETS	SHEET NO.
c:\pw\work\pndot\sparkgw\d0222805\087	D067-ah-schedule.dgn	DRAWN - RTS	REVISED -					**	.	MONTGOMERY	80	20
PLOT SCALE = 1/8" = 100.0000' / in.	CHECKED -	REVISIONS -	REVISIONS -		SCALE:	SHEET NO. 3 OF 18 SHEETS	STA.	TO STA.	CONTRACT NO. 72D67			
PLOT DATE = Aug-25-2011 10:14:29AM	DATE - 04-26-11	REVISIONS -	REVISIONS -		ILLINOIS FED. AID PROJECT							

HOT-MIX ASPHALT SURFACE COURSE, MAINLINE PAVEMENT (CONTINUED)

LOCATION		PAVEMENT WIDTH (FOOT)	DISTANCE OF RUN (FOOT)	PAVEMENT AREA (SQ FT)	PAVEMENT AREA (SQ YD)	BITUMINOUS MATERIALS (PRIME COAT) (TON)	AGGREGATE (PRIME COAT) (TON)	HMA LEVELING BINDER, (MM), N70, 3/4" (TON)	HMA SURFACE COURSE, MIX "D", N70, 1 1/2" (TON)	HMA SURFACE COURSE, MIX "D", N70, 2" (TON)	
BRUSH CREEK											
STA 279+56.00	TO	STA 286+75.00	24	719.00	17,256.00	1,917.33	0.73	3.83	80.53	161.06	
STA 286+75.00	TO	STA 297+75.00	24	1,100.00	26,400.00	2,933.33	1.11	5.87	123.20	246.40	
STA 297+75.00	TO	STA 308+75.00	24	1,100.00	26,400.00	2,933.33	1.11	5.87	123.20	246.40	
STA 308+75.00	TO	STA 319+75.00	24	1,100.00	26,400.00	2,933.33	1.11	5.87	123.20	246.40	
STA 319+75.00	TO	STA 330+75.00	24	1,100.00	26,400.00	2,933.33	1.11	5.87	123.20	246.40	
STA 330+75.00	TO	STA 338+00.08	24	725.08	17,401.92	1,933.55	0.73	3.87	81.21	162.42	
STA 338+00.08	TO	STA 338+50.08	24	50.00	1,200.00	133.33	0.05	0.27	5.60	11.20	
STA 338+50.08	TO	STA 343+22.50	24 TO 35.6	472.42	14,078.00	1,564.22	0.59	3.13	65.70	131.39	
STA 343+22.50	TO	STA 346+75.00	35.6	352.50	12,541.95	1,393.55	0.53	2.79	58.53	117.06	
STA 346+75.00	TO	STA 349+94.19	35.6	319.19	11,356.78	1,261.86	0.48	2.52	53.00	106.00	
STA 349+94.19	TO	STA 354+51.70	35.6 TO 24	457.51	13,725.00	1,525.00	0.58	3.05	64.05	128.10	
STA 354+51.70	TO	STA 355+64.76	24	113.06	2,713.44	301.49	0.11	0.60	12.66	25.33	
STA 355+64.76	TO	STA 356+14.76	24	50.00	1,200.00	133.33	0.05	0.27	5.60	11.20	
STA 356+14.76	TO	STA 358+15.00	24	200.24	4,805.76	533.97	0.20	1.07	22.43	44.85	
STA 358+15.00	TO	STA 365+00.00	24	685.00	16,440.00	1,826.67	0.69	3.65	76.72	153.44	
STA 365+00.00	TO	STA 376+00.00	24	1,100.00	26,400.00	2,933.33	1.11	5.87	123.20	246.40	
STA 376+00.00	TO	STA 387+00.00	24	1,100.00	26,400.00	2,933.33	1.11	5.87	123.20	246.40	
STA 387+00.00	TO	STA 398+00.00	24	1,100.00	26,400.00	2,933.33	1.11	5.87	123.20	246.40	
STA 398+00.00	TO	STA 409+00.00	24	1,100.00	26,400.00	2,933.33	1.11	5.87	123.20	246.40	
STA 409+00.00	TO	STA 420+00.00	24	1,100.00	26,400.00	2,933.33	1.11	5.87	123.20	246.40	
STA 420+00.00	TO	STA 428+69.55	24	869.55	20,869.20	2,318.80	0.88	4.64	97.39	194.78	
STA. EQUATION: 428+69.55 (BK.) = 433+70.11 (AHD.)											
STA 433+70.11	TO	STA 436+50.00	24	279.89	6,717.36	746.37	0.28	1.49	31.35	62.70	
STA 436+00.00	TO	STA 440+75.00	24	475.00	11,400.00	1,266.67	0.48	2.53	53.20	106.40	
IL RTE. 16 / IL RTE. 127 INTERSECTION (INCLUDING WESTBOUND RIGHT TURN LANE)											
STA 1560+47.90	TO	STA 1558+79.42	VARIABLE	168.48	15,634.50	1,737.17	0.66	3.47	72.96	145.92	
TOTALS:											
				37,082.50	1,010,529.99	112,281.11	42.67	224.56	3,870.63	7,741.26	2,253.81

-- (15, 21)RS-7, 22RS-4, 24RS-8
 -- 42, 325

FILE NAME =	USER NAME = sparksgw	DESIGNED - RTS	REVISED -	STATE OF ILLINOIS DEPARTMENT OF TRANSPORTATION	SCHEDULES OF QUANTITIES			F.A.P. RTE.	SECTION	COUNTY	TOTAL SHEETS	SHEET NO.
c:\pwwork\pwwork\sparksgw\d0222005\0672067-sht-schedule.dgn	DRAWN - RTS	REVISED -	**					*	MONTGOMERY	80	21	
PLOT SCALE = 100.0000' / in.	CHECKED -	REVISED -				CONTRACT NO. 72D67						
PLOT DATE = Aug-25-2011 10:14:30AM	DATE - 04-26-11	REVISED -			SCALE:	SHEET NO. 4 OF 18 SHEETS	STA.	TO STA.	ILLINOIS FED. AID PROJECT			

HMA SURFACE REMOVAL - BUTT JOINT	
LOCATION	SURFACE AREA (SQ YD)
IL RTE. 16, BEGINNING OF PROJECT IN LITCHFIELD	194.9
IL RTE. 16, LITCHFIELD SECTION SIDE STREETS:	
DOUGLAS ST. (LEFT)	110.4
DOUGLAS ST. (RIGHT)	122.9
BROWN ST.	119.3
NORTH CLINTON ST. (LEFT)	102.2
NORTH CLINTON ST. (RIGHT)	77.5
OLD MAIN ST. (ABANDONED)	39.2
WASHINGTON ST.	31.4
ADAMS ST. (LEFT)	38.6
ADAMS ST. (RIGHT)	63.4
JEFFERSON ST. (LEFT)	212.2
JEFFERSON ST. (RIGHT)	314.1
MADISON ST. (LEFT)	45.4
MADISON ST. (RIGHT)	49.4
STATE ST. (LEFT)	93.7
STATE ST. (RIGHT)	189.8
MONROE ST. (LEFT)	86.8
MONROE ST. (RIGHT)	139.7
IL RTE. 16, END OF SECTION IN LITCHFIELD, IL 16	39.7
IL RTE. 16, BEGINNING OF RURAL SECTION	178.8
IL RTE. 16, WEST END OF SHOAL CREEK	216.5
IL RTE. 16, EAST END OF SHOAL CREEK	216.5
IL RTE. 16, WEST END OF BRUSH CREEK	166.8
IL RTE. 16, EAST END OF BRUSH CREEK	166.8
IL RTE. 127, NORTHBOUND	21.5
IL RTE. 127, SOUTHBOUND	28.6
IL RTE. 16, END OF PROJECT	217.8
TOTALS =	3,283.9

INCIDENTAL HOT-MIX ASPHALT SURFACING, 1 3/4" AVG DEPTH				
LOCATION	SURFACE AREA	INCIDENTAL HOT-MIX ASPHALT SURFACE CRSE. (AVG. DEPTH = 1.75")	AGGREGATE PRIME COAT	BITUMINOUS PRIME COAT
	(SQUARE YARD)	(TON)	(TON)	(TON)
IL 16 - IN LITCHFIELD				
DOUGLAS ST. (LEFT)	110.4	10.8	0.22	0.04
DOUGLAS ST. (RIGHT)	122.9	12.0	0.25	0.05
BROWN ST.	119.3	11.7	0.24	0.05
NORTH CLINTON ST. (LEFT)	102.2	10.0	0.20	0.04
NORTH CLINTON ST. (RIGHT)	77.5	7.6	0.16	0.03
OLD MAIN ST. (ABANDONED)	39.2	3.8	0.08	0.01
WASHINGTON ST.	31.4	3.1	0.06	0.01
ADAMS ST. (LEFT)	38.6	3.8	0.08	0.01
ADAMS ST. (RIGHT)	63.4	6.2	0.13	0.02
JEFFERSON ST. (LEFT)	212.2	20.8	0.42	0.08
JEFFERSON ST. (RIGHT)	314.1	30.8	0.63	0.12
MADISON ST. (LEFT)	45.4	4.4	0.09	0.02
MADISON ST. (RIGHT)	49.4	4.8	0.10	0.02
STATE ST. (LEFT)	93.7	9.2	0.19	0.04
STATE ST. (RIGHT)	189.8	18.6	0.38	0.07
MONROE ST. (LEFT)	86.8	8.5	0.17	0.03
MONROE ST. (RIGHT)	139.7	13.7	0.28	0.05
TOTALS =	1,836.0	179.9	3.68	0.70

EXCAVATING AND GRADING EXISTING SHOULDERS						
LOCATION			DISTANCE OF RUN	PROPOSED HMA SHOULDER WIDTH	PROPOSED AGG. SHOULDER WIDTH	EXCAVATING & GRADING EXISTING SHOULDER
			(FOOT)	(FT)	(FT)	(UNIT)
IL RTE 16 / IL RTE. 127, LEFT SHOULDER						
STA 355+64.76	TO	STA 365+00.00	935.24	4.00	3.00	9.35
STA 365+00.00	TO	STA 376+00.00	1,100.00	4.00	3.00	11.00
STA 376+00.00	TO	STA 377+81.00	181.00	4.00	3.00	1.81
STA 378+53.00	TO	STA 387+00.00	847.00	4.00	3.00	8.47
STA 387+00.00	TO	STA 398+00.00	1,100.00	4.00	3.00	11.00
STA 398+00.00	TO	STA 409+00.00	1,100.00	4.00	3.00	11.00
STA 409+00.00	TO	STA 420+00.00	1,100.00	4.00	3.00	11.00
STA 420+00.00	TO	STA 422+12.00	212.00	4.00	3.00	2.12
STA 422+97.00	TO	STA 428+69.55	572.55	4.00	3.00	5.73
STATION EQUATION: 428+69.55 (BK.) = 433+70.11 (AHD.)						
STA 433+70.11	TO	STA 437+70.00	399.89	4.00	3.00	4.00
LEFT SUB TOTAL =			7,547.68			75.48
IL RTE 16 / IL RTE. 127, RIGHT SHOULDER						
STA 355+64.76	TO	STA 362+90.50	725.74	4.00	3.00	7.26
STA 363+46.50	TO	STA 365+00.00	153.50	4.00	3.00	1.54
STA 365+00.00	TO	STA 376+00.00	1,100.00	4.00	3.00	11.00
STA 376+00.00	TO	STA 380+05.00	405.00	4.00	3.00	4.05
STA 380+65.00	TO	STA 383+40.50	285.50	4.00	3.00	2.86
STA 383+91.00	TO	STA 387+00.00	309.00	4.00	3.00	3.09
STA 387+00.00	TO	STA 398+00.00	1,100.00	4.00	3.00	11.00
STA 398+00.00	TO	STA 409+00.00	1,100.00	4.00	3.00	11.00
STA 409+00.00	TO	STA 420+00.00	1,100.00	4.00	3.00	11.00
STA 420+00.00	TO	STA 421+71.00	171.00	4.00	3.00	1.71
STA 422+76.50	TO	STA 428+69.55	583.05	4.00	3.00	5.93
STATION EQUATION: 428+69.55 (BK.) = 433+70.11 (AHD.)						
STA 433+70.11	TO	STA 437+70.00	399.89	4.00	3.00	4.00
RIGHT SUB TOTAL =			7,442.88			74.43
TOTAL =			14,990.36			149.90

-- (15, 21)RS-7, 22RS-4, 24RS-8
 -- 42, 325

FILE NAME =	USER NAME = sparksgw	DESIGNED - RTS	REVISED -	STATE OF ILLINOIS DEPARTMENT OF TRANSPORTATION	SCHEDULES OF QUANTITIES			F.A.P. RTE.	SECTION	COUNTY	TOTAL SHEETS	SHEET NO.	
al\pw\work\p\dot\sparksgw\2222885\0672067-shr-schedule.dgn	DRAWN - RTS	REVISED -	REVISED -		SCALE:	SHEET NO. 5 OF 18 SHEETS	STA.	TO STA.	**		MONTGOMERY	80	22
PLDT SCALE = 100.0000 / 1 in.	CHECKED -	REVISED -	REVISED -		CONTRACT NO. 72D67								
PLDT DATE = Aug-25-2011 10:14:38AM	DATE - 04-26-11	REVISED -	REVISED -		ILLINOIS FED. AID PROJECT								

HOT-MIX ASPHALT SHOULDER TREATMENT, LEFT SIDE								
LOCATION			DISTANCE	SHOULDER	HMA	HMA	HMA SURFACE	HMA SURFACE
			OF RUN	WIDTH	SHOULDERS, 6 1/4" DEPTH	SHOULDERS, 6 1/2" DEPTH	COURSE, 2 1/4" AVG. DEPTH	COURSE, 1 1/2" DEPTH
			(FOOT)	(FOOT)	(SQ YD)	(SQ YD)	(TON)	(TON)
IL RTE. 16 MAINLINE								
STA 100+64.00	TO	STA 102+19.50	155.50	7.00			15.24	
STA 102+19.50	TO	STA 104+06.00	186.50	8.00 to 7.00			19.58	
STA 104+50.00	TO	STA 110+50.00	600.00	4.00	266.67			22.40
STA 110+50.00	TO	STA 116+25.00	575.00	4.00	255.56			21.47
STA 116+25.00	TO	STA 121+75.00	550.00	4.00	244.44			20.53
STA 121+75.00	TO	STA 127+25.00	550.00	4.00	244.44			20.53
STA 127+25.00	TO	STA 131+27.83	402.83	4.00	179.04			15.04
STA. EQUATION: 131+27.83 (BK.) = 131+19.80 (AHD.)								
STA 131+19.80	TO	STA 132+75.00	155.20	4.00	68.98			5.79
STA 132+75.00	TO	STA 138+25.00	550.00	4.00	244.44			20.53
STA 138+25.00	TO	STA 143+75.00	550.00	4.00	244.44			20.53
STA 143+75.00	TO	STA 149+25.00	550.00	4.00	244.44			20.53
STA 149+25.00	TO	STA 154+75.00	550.00	4.00	244.44			20.53
STA 154+75.00	TO	STA 156+47.26	172.26	4.00	76.56			6.43
STA 156+47.26	TO	STA 158+40.49	193.23	7.70			20.83	
WEST FORK SHOAL CREEK								
STA 160+67.70	TO	STA 162+60.32	192.62	7.70			20.76	
STA 162+60.32	TO	STA 165+75.00	314.68	4.00	139.86			11.75
STA 165+75.00	TO	STA 176+75.00	1,100.00	4.00	488.89			41.07
STA 176+75.00	TO	STA 187+75.00	1,100.00	4.00	488.89			41.07
STA 187+75.00	TO	STA 198+75.00	1,100.00	4.00	488.89			41.07
STA 198+75.00	TO	STA 209+75.00	1,100.00	4.00	488.89			41.07
STA 209+75.00	TO	STA 215+77.50	602.50	4.00	267.78			22.49
STA 217+35.00	TO	STA 220+75.00	340.00	4.00	151.11			12.69
STA 220+75.00	TO	STA 231+75.00	1,100.00	4.00	488.89			41.07
STA 231+75.00	TO	STA 242+75.00	1,100.00	4.00	488.89			41.07
STA 242+75.00	TO	STA 242+93.00	18.00	4.00	8.00			0.67
STA 243+32.00	TO	STA 253+75.00	1,043.00	4.00	463.56			38.94
STA 253+75.00	TO	STA 264+75.00	1,100.00	4.00	488.89			41.07
STA 264+75.00	TO	STA 275+25.00	1,050.00	4.00	466.67			39.20
STA 275+25.00	TO	STA 277+75.00	250.00	VARIABLE	190.56			16.00
BRUSH CREEK								
STA 279+56.00	TO	STA 282+20.00	264.00	VARIABLE	195.33			16.41
STA 282+20.00	TO	STA 295+41.50	1,321.50	4.00	587.33			49.36
STA 296+07.50	TO	STA 297+75.00	167.50	4.00	74.44			6.25
STA 297+75.00	TO	STA 308+75.00	1,100.00	4.00	488.89			41.07
STA 308+75.00	TO	STA 319+75.00	1,100.00	4.00	488.89			41.07
STA 319+75.00	TO	STA 330+75.00	1,100.00	4.00	488.89			41.07
STA 330+75.00	TO	STA 336+00.00	525.00	4.00	233.33			19.60
STA 336+00.00	TO	STA 338+50.08	250.08	4.00	111.15			9.34
STA 338+50.08	TO	STA 347+06.35	856.27	4.00		380.56		31.97

SCHEDULE CONTINUED, NEXT SHEET →

-- (15, 21RS-7, 22RS-4, 24RS-8
 --- 42, 325

FILE NAME =	USER NAME = sparksgw	DESIGNED - RTS	REVISED -	STATE OF ILLINOIS DEPARTMENT OF TRANSPORTATION	SCHEDULES OF QUANTITIES			F.A.P. RTE.	SECTION	COUNTY	TOTAL SHEETS	SHEET NO.
et\pwork\pwork\sparksgw\02222005\0672067-sht-schedule.dgn	DRAWN - RTS	REVISED -	REVISED -					**	.	MONTGOMERY	80	23
PLOT SCALE = 100.0000' / in.	CHECKED -	REVISED -	REVISED -		SCALE: SHEET NO. 6 OF 18 SHEETS STA. TO STA.			CONTRACT NO. 72D67				
PLOT DATE = Aug-25-2011 10:14:31AM	DATE - 04-26-11	REVISED -	REVISED -		ILLINOIS FED. AID PROJECT							

HOT-MIX ASPHALT SHOULDER TREATMENT, LEFT SIDE (CONTINUED)						
LOCATION	DISTANCE	SHOULDER	HMA	HMA	HMA SURFACE	HMA SURFACE
	OF RUN	WIDTH	SHOULDERS, 6 1/4" DEPTH	SHOULDERS, 6 1/2" DEPTH	COURSE, 2 1/4" AVG. DEPTH	COURSE, 1 1/2" DEPTH
	(FOOT)	(FOOT)	(SQ YD)	(SQ YD)	(TON)	(TON)
IL RTE. 16 / IL RTE. 127 INTERSECTION						
STA 350+18.17 TO STA 356+14.76	596.59	4.00		265.15		22.27
STA 356+14.76 TO STA 358+15.00	200.24	4.00		89.00		7.48
STA 358+15.00 TO STA 365+00.00	685.00	4.00		304.44		25.57
STA 365+00.00 TO STA 376+00.00	1,100.00	4.00		488.89		41.07
STA 376+00.00 TO STA 377+81.00	181.00	4.00		80.44		6.76
STA 378+53.00 TO STA 398+00.00	1,947.00	4.00		865.33		72.69
STA 398+00.00 TO STA 409+00.00	1,100.00	4.00		488.89		41.07
STA 409+00.00 TO STA 420+00.00	1,100.00	4.00		488.89		41.07
STA 420+00.00 TO STA 422+12.00	212.00	4.00		94.22		7.91
STA 422+97.00 TO STA 428+69.55	572.55	4.00		254.47		21.38
STATION EQUATION: 428+69.55 (BK) = 433+70.11 (AHD.)						
STA 433+70.11 TO STA 437+70.00	399.89	4.00		177.73		14.93
STA 437+70.00 TO STA 440+75.00	305.00	8.00			34.16	
TOTALS:	32,334.94		10,091.48	3,978.02	110.57	1,181.85

-- (15, 21)RS-7, 22RS-4, 24RS-8
 ** 42, 325

FILE NAME =	USER NAME = sparkgw	DESIGNED - RTS	REVISED -	STATE OF ILLINOIS DEPARTMENT OF TRANSPORTATION	SCHEDULES OF QUANTITIES			F.A.P. RTE.	SECTION	COUNTY	TOTAL SHEETS	SHEET NO.
c:\pwwork\pwwork\sparkgw\d0222005\067	2067-ah-schedule.dgn	DRAWN - RTS	REVISED -					**	.	MONTGOMERY	80	24
	PLOT SCALE = 100.0000' / in.	CHECKED -	REVISED -		SCALE:	SHEET NO. 7 OF 18 SHEETS	STA.	TO STA.	CONTRACT NO. 72D67			
	PLOT DATE = Aug-25-2011 10:14:31AM	DATE - 04-26-11	REVISED -		ILLINOIS FED. AID PROJECT							

HOT-MIX ASPHALT SHOULDER TREATMENT, RIGHT SIDE								
LOCATION			DISTANCE	SHOULDER	HMA	HMA	HMA SURFACE	HMA SURFACE
			OF RUN	WIDTH	SHOULDER,	SHOULDER,	COURSE,	COURSE,
			(FOOT)	(FOOT)	6 1/4" DEPTH	6 1/2" DEPTH	2 1/4" AVG. DEPTH	1 1/2" DEPTH
					(SQ YD)	(SQ YD)	(TON)	(TON)
IL RTE.16 MAINLINE								
STA 100+64.00	TO	STA 104+64.16	400.16	11.3 TO 9.7			58.82	
STA 104+64.16	TO	STA 105+36.70	72.54	9.7 TO 4			6.96	
STA 105+36.70	TO	STA 110+50.00	513.30	4.00	228.13			19.16
STA 110+50.00	TO	STA 121+75.00	1,125.00	4.00	500.00			42.00
STA 121+75.00	TO	STA 122+10.00	35.00	4.00	15.56			1.31
STA 122+50.00	TO	STA 127+25.00	475.00	4.00	211.11			17.73
STA 127+25.00	TO	STA 131+27.83	402.83	4.00	179.04			15.04
STA. EQUATION: 131+27.83 (BK.) = 131+19.80 (AHD.)								
STA 131+19.80	TO	STA 132+75.00	155.20	4.00	68.98			5.79
STA 132+75.00	TO	STA 143+75.00	1,100.00	4.00	488.89			41.07
STA 143+75.00	TO	STA 154+75.00	1,100.00	4.00	488.89			41.07
STA 154+75.00	TO	STA 156+47.26	172.26	4.00	76.56			6.43
STA 156+47.26	TO	STA 158+40.49	193.23	7.70			20.83	
WEST FORK SHOAL CREEK								
STA 160+67.70	TO	STA 162+60.32	192.62	7.70			20.76	
STA 162+60.32	TO	STA 165+75.00	314.68	4.00	139.86			11.75
STA 165+75.00	TO	STA 176+75.00	1,100.00	4.00	488.89			41.07
STA 176+75.00	TO	STA 179+25.50	250.50	4.00	111.33			9.35
STA 180+12.00	TO	STA 187+75.00	763.00	4.00	339.11			28.49
STA 187+75.00	TO	STA 198+75.00	1,100.00	4.00	488.89			41.07
STA 198+75.00	TO	STA 205+00.00	625.00	4.00	277.78			23.33
STA 206+14.00	TO	STA 209+75.00	361.00	4.00	160.44			13.48
STA 209+75.00	TO	STA 220+75.00	1,100.00	4.00	488.89			41.07
STA 220+75.00	TO	STA 229+54.00	879.00	4.00	390.67			32.82
STA 230+39.00	TO	STA 231+75.00	136.00	4.00	60.44			5.08
STA 231+75.00	TO	STA 242+75.00	1,100.00	4.00	488.89			41.07
STA 242+75.00	TO	STA 253+75.00	1,100.00	4.00	488.89			41.07
STA 253+75.00	TO	STA 264+75.00	1,100.00	4.00	488.89			41.07
STA 264+75.00	TO	STA 275+25.00	1,050.00	4.00	466.67			39.20
STA 275+25.00	TO	STA 277+75.00	250.00	VARIABLE	175.22			14.72
BRUSH CREEK								
STA 279+56.00	TO	STA 282+20.00	264.00	VARIABLE	187.83			15.78
STA 282+20.00	TO	STA 297+75.00	1,555.00	4.00	691.11			58.05
STA 297+75.00	TO	STA 308+75.00	1,100.00	4.00	488.89			41.07
STA 308+75.00	TO	STA 310+55.00	180.00	4.00	80.00			6.72
STA 311+49.50	TO	STA 319+75.00	825.50	4.00	366.89			30.82
STA 319+75.00	TO	STA 330+75.00	1,100.00	4.00	488.89			41.07
STA 330+75.00	TO	STA 336+00.00	525.00	4.00	233.33			19.60
STA 336+00.00	TO	STA 338+50.08	250.08	4.00	111.15			9.34
STA 338+50.08	TO	STA 341+25.00	274.92	4.00		122.19		10.26
STA 341+25.00	TO	STA 346+75.00	550.00	4.00		244.44		20.53

SCHEDULE CONTINUED, NEXT SHEET →

-- (15, 21)RS-7, 22RS-4, 24RS-8
 -- 42, 325

FILE NAME =	USER NAME = sparksgw	DESIGNED - RTS	REVISED -	STATE OF ILLINOIS DEPARTMENT OF TRANSPORTATION	SCHEDULES OF QUANTITIES			F.A.P. RTE.	SECTION	COUNTY	TOTAL SHEETS	SHEET NO.
ca:\pw_work\pwidot\sparksgw\d0222005\0672067-shr-schedule.dgn	DRAWN - RTS	REVISED -	**					.	MONTGOMERY	80	25	
PLDT SCALE = 100.0000' / in.	CHECKED -	REVISED -			CONTRACT NO. 72D67			ILLINOIS FED. AID PROJECT				
PLDT DATE = Aug-25-2011 10:14:32AM	DATE - 04-26-11	REVISED -			SCALE:	SHEET NO. 8 OF 18 SHEETS	STA.	TO STA.				

HOT-MIX ASPHALT SHOULDER TREATMENT, RIGHT SIDE (CONTINUED)									
LOCATION			DISTANCE	SHOULDER	HMA	HMA	HMA SURFACE	HMA SURFACE	
			OF RUN	WIDTH	SHOULDERS,	SHOULDERS,	COURSE,	COURSE,	
			(FOOT)	(FOOT)	6 1/4" DEPTH	6 1/2" DEPTH	2 1/4" AVG. DEPTH	1 1/2" DEPTH	
					(SQ YD)	(SQ YD)	(TON)	(TON)	
IL RTE.16 / IL RTE. 127 INTERSECTION									
STA 346+75.00	TO	STA 352+25.00	550.00	4.00		244.44		20.53	
STA 352+25.00	TO	STA 356+14.76	389.76	4.00		173.23		14.55	
STA 356+14.76	TO	STA 365+00.00	885.24	4.00		393.44		33.05	
STA 365+00.00	TO	STA 376+00.00	1,100.00	4.00		488.89		41.07	
STA 376+00.00	TO	STA 387+00.00	1,100.00	4.00		488.89		41.07	
STA 387+00.00	TO	STA 398+00.00	1,100.00	4.00		488.89		41.07	
STA 398+00.00	TO	STA 409+00.00	1,100.00	4.00		488.89		41.07	
STA 409+00.00	TO	STA 420+00.00	1,100.00	4.00		488.89		41.07	
STA 420+00.00	TO	STA 421+71.00	171.00	4.00		76.00		6.38	
STA 422+76.00	TO	STA 428+69.55	593.55	4.00		263.80		22.16	
STATION EQUATION: 428+69.55 (BK.) = 433+70.11 (AHD.)									
STA 433+70.11	TO	STA 436+50.00	279.89	4.00		124.40		10.45	
STA 436+50.00	TO	STA 437+70.00	120.00	4.00		53.33		4.48	
STA 437+70.00	TO	STA 440+75.00	305.00	8.00			34.16		
TOTALS:			32,585.26		9,960.10	4,139.71	141.53	1,184.37	

-- (15, 21)RS-7, 22RS-4, 24RS-8
 ** 42, 325

FILE NAME =	USER NAME = sparksgw	DESIGNED - RTS	REVISED -	STATE OF ILLINOIS DEPARTMENT OF TRANSPORTATION	SCHEDULES OF QUANTITIES			F.A.P. RTE.	SECTION	COUNTY	TOTAL SHEETS	SHEET NO.
c:\pwork\pwork\sparksgw\0222805\0672067-ht-schedule.dgn		DRAWN - RTS	REVISED -					**		MONTGOMERY	80	26
	PLOT SCALE = 100.0000' / 1in.	CHECKED -	REVISED -		SCALE:	SHEET NO. 9 OF 18 SHEETS	STA.	TO STA.	CONTRACT NO. 72D67			
	PLOT DATE = Aug-25-2011 10:14:32AM	DATE - 04-26-11	REVISED -		ILLINOIS FED. AID PROJECT							

AGGREGATE SHOULDER, TYPE B, LEFT SIDE						
LOCATION			DISTANCE	SURFACE AREA	VOLUME	QUANTITY
			OF RUN	(3' SHLDR WIDTH)	(CUBIC YARD)	(TONS)
			(FOOT)	(SQUARE YARD)		
IL RTE. 16 MAINLINE						
STA 104+50.00	TO	STA 110+50.00	600	200.0	11.1	22.8
STA 110+50.00	TO	STA 116+25.00	575	191.7	10.6	21.8
STA 116+25.00	TO	STA 121+75.00	550	183.3	10.2	20.9
STA 121+75.00	TO	STA 124+95.00	320	106.7	5.9	12.1
STA 126+25.00	TO	STA 127+95.00	170	56.7	3.1	6.5
STA 129+10.00	TO	STA 132+75.00	365	121.7	6.8	13.9
STA 132+75.00	TO	STA 138+25.00	550	183.3	10.2	20.9
STA 138+25.00	TO	STA 143+75.00	550	183.3	10.2	20.9
STA 143+75.00	TO	STA 149+25.00	550	183.3	10.2	20.9
STA 149+25.00	TO	STA 154+75.00	550	183.3	10.2	20.9
STA 154+75.00	TO	STA 158+40.49	365	121.8	6.8	13.9
WEST FORK OF SHOAL CREEK						
STA 160+67.70	TO	STA 165+75.00	507	169.1	9.4	19.3
STA 165+75.00	TO	STA 176+75.00	1,100	366.7	20.4	41.8
STA 176+75.00	TO	STA 184+40.00	765	255.0	14.2	29.0
STA 185+15.00	TO	STA 192+64.00	749	249.7	13.9	28.4
STA 193+22.00	TO	STA 198+75.00	553	184.3	10.2	21.0
STA 198+75.00	TO	STA 205+52.00	677	225.7	12.5	25.7
STA 205+82.00	TO	STA 206+64.00	82	27.3	1.5	3.1
STA 206+84.00	TO	STA 215+84.00	900	300.0	16.7	34.2
STA 217+32.00	TO	STA 223+14.00	582	194.0	10.8	22.1
STA 223+86.00	TO	STA 231+75.00	789	263.0	14.6	30.0
STA 231+75.00	TO	STA 242+92.00	1,117	372.3	20.7	42.4
STA 243+32.00	TO	STA 245+00.00	166	56.0	3.1	6.4
STA 245+24.00	TO	STA 245+88.00	64	21.3	1.2	2.4
STA 246+44.00	TO	STA 252+96.00	652	217.3	12.1	24.8
STA 253+44.00	TO	STA 264+75.00	1,131	377.0	20.9	42.9
STA 264+75.00	TO	STA 269+32.00	457	152.3	8.5	17.3
STA 269+88.00	TO	STA 274+14.00	426	142.0	7.9	16.2
STA 274+70.00	TO	STA 277+75.00	305	101.7	5.6	11.6
BRUSH CREEK						
STA 279+56.00	TO	STA 286+75.00	719	239.7	13.3	27.3
STA 286+75.00	TO	STA 295+45.00	870	290.0	16.1	33.0
STA 296+05.00	TO	STA 308+75.00	1,270	423.3	23.5	48.2
STA 308+75.00	TO	STA 319+75.00	1,100	366.7	20.4	41.8
STA 319+75.00	TO	STA 330+75.00	1,100	366.7	20.4	41.8
STA 330+75.00	TO	STA 336+00.00	525	175.0	9.7	19.9
STA 336+00.00	TO	STA 341+25.00	525	175.0	9.7	19.9
STA 341+25.00	TO	STA 347+06.35	581	193.8	10.8	22.1
IL RTE. 16 / IL RTE. 127 INTERSECTION						
STA 350+18.17	TO	STA 352+25.00	207	68.9	3.8	7.9
STA 352+25.00	TO	STA 358+15.00	590	196.7	10.9	22.4
STA 358+15.00	TO	STA 365+00.00	685	228.3	12.7	26.0
STA 365+00.00	TO	STA 376+00.00	1,100	366.7	20.4	41.8
STA 376+00.00	TO	STA 377+84.00	184	61.3	3.4	7.0
STA 378+52.00	TO	STA 387+00.00	848	282.7	15.7	32.2
STA 387+00.00	TO	STA 398+00.00	1,100	366.7	20.4	41.8
STA 398+00.00	TO	STA 409+00.00	1,100	366.7	20.4	41.8
STA 409+00.00	TO	STA 420+00.00	1,100	366.7	20.4	41.8
STA 420+00.00	TO	STA 422+17.00	217	72.3	4.0	8.2
STA 422+94.00	TO	STA 425+30.00	236	78.7	4.4	9.0
STA 425+88.00	TO	STA 428+69.55	284	94.5	5.3	10.8
STATION EQUATION: 428+69.55 BH=433+70.11 AH						
STA 433+70.11	TO	STA 438+84.00	514	171.3	9.5	19.5
STA 439+17.00	TO	STA 441+25.00	208	69.3	3.9	7.9
TOTALS:			31,232	10,411	578	1,186

AGGREGATE SHOULDER, TYPE B, RIGHT SIDE						
LOCATION			DISTANCE	SURFACE AREA	VOLUME	QUANTITY
			OF RUN	(3' SHLDR WIDTH)	(CUBIC YARD)	(TONS)
			(FOOT)	(SQUARE YARD)		
IL RTE. 16 MAINLINE						
STA 105+02.40	TO	STA 109+46.00	444	147.9	8.2	16.8
STA 109+90.00	TO	STA 116+25.00	635	211.7	11.8	24.1
STA 116+25.00	TO	STA 122+12.00	587	195.7	10.9	22.3
STA 122+48.00	TO	STA 125+43.00	295	98.3	5.5	11.2
STA 125+62.00	TO	STA 128+37.00	275	91.7	5.1	10.4
STA 128+68.00	TO	STA 132+05.00	337	112.3	6.2	12.8
STA 132+72.00	TO	STA 136+25.00	553	184.3	10.2	21.0
STA 136+25.00	TO	STA 143+75.00	550	183.3	10.2	20.9
STA 143+75.00	TO	STA 149+25.00	550	183.3	10.2	20.9
STA 149+25.00	TO	STA 154+75.00	550	183.3	10.2	20.9
STA 154+75.00	TO	STA 158+40.49	365	121.8	6.8	13.9
WEST FORK OF SHOAL CREEK						
STA 160+67.70	TO	STA 165+75.00	507	169.1	9.4	19.3
STA 165+75.00	TO	STA 177+09.00	1,134	378.0	21.0	43.1
STA 177+39.00	TO	STA 179+28.00	189	63.0	3.5	7.2
STA 180+10.00	TO	STA 184+39.00	429	143.0	7.9	16.3
STA 185+02.00	TO	STA 189+96.00	494	164.7	9.1	18.8
STA 190+53.00	TO	STA 192+15.00	162	54.0	3.0	6.2
STA 192+84.00	TO	STA 193+98.00	114	38.0	2.1	4.3
STA 194+58.00	TO	STA 197+19.00	261	87.0	4.8	9.9
STA 197+89.00	TO	STA 205+10.00	721	240.3	13.4	27.4
STA 206+12.00	TO	STA 209+75.00	363	121.0	6.7	13.8
STA 209+75.00	TO	STA 220+75.00	1,100	366.7	20.4	41.8
STA 220+75.00	TO	STA 229+50.00	875	291.7	16.2	33.2
STA 230+40.00	TO	STA 230+76.00	36	12.0	0.7	1.4
STA 231+35.00	TO	STA 232+94.00	159	53.0	2.9	6.0
STA 233+42.00	TO	STA 242+75.00	933	311.0	17.3	35.4
STA 242+75.00	TO	STA 253+75.00	1,100	366.7	20.4	41.8
STA 253+75.00	TO	STA 258+35.00	460	153.3	8.5	17.5
STA 258+76.00	TO	STA 268+00.00	924	308.0	17.1	35.1
STA 268+88.00	TO	STA 271+70.00	282	94.0	5.2	10.7
STA 272+00.00	TO	STA 277+75.00	575	191.7	10.6	21.8
BRUSH CREEK						
STA 279+56.00	TO	STA 286+75.00	719	239.7	13.3	27.3
STA 286+75.00	TO	STA 291+67.00	492	164.0	9.1	18.7
STA 292+36.00	TO	STA 295+62.00	326	108.7	6.0	12.4
STA 295+87.00	TO	STA 306+53.00	1,066	355.3	19.7	40.5
STA 307+22.00	TO	STA 310+59.00	337	112.3	6.2	12.8
STA 311+46.00	TO	STA 319+75.00	829	276.3	15.4	31.5
STA 319+75.00	TO	STA 326+38.00	663	221.0	12.3	25.2
STA 326+83.00	TO	STA 336+00.00	917	305.7	17.0	34.8
STA 336+00.00	TO	STA 341+25.00	525	175.0	9.7	19.9
STA 341+25.00	TO	STA 346+75.00	550	183.3	10.2	20.9
STA 346+75.00	TO	STA 348+70.71	196	65.2	3.6	7.4
IL RTE. 16 / IL RTE. 127 INTERSECTION						
STA 348+70.71	TO	STA 352+25.00	354	118.1	6.6	13.4
STA 352+25.00	TO	STA 358+15.00	590	196.7	10.9	22.4
STA 358+15.00	TO	STA 362+94.00	479	159.7	8.9	18.2
STA 363+43.00	TO	STA 365+00.00	157	52.3	2.9	6.0
STA 365+00.00	TO	STA 376+00.00	1,100	366.7	20.4	41.8
STA 376+00.00	TO	STA 380+16.00	416	138.7	7.7	15.8
STA 380+52.00	TO	STA 383+44.00	292	97.3	5.4	11.1
STA 383+89.00	TO	STA 387+00.00	311	103.7	5.8	11.8
STA 387+00.00	TO	STA 398+00.00	1,100	366.7	20.4	41.8
STA 398+00.00	TO	STA 409+00.00	1,100	366.7	20.4	41.8
STA 409+00.00	TO	STA 420+00.00	1,100	366.7	20.4	41.8
STA 420+00.00	TO	STA 421+74.00	174	58.0	3.2	6.6
STA 422+71.00	TO	STA 428+69.55	599	199.5	11.1	22.7
STATION EQUATION: 428+69.55 BH=433+70.11 AH						
STA 433+70.11	TO	STA 441+25.00	755	251.6	14.0	28.7
TOTALS:			31,106	10,369	576	1,181

-- (15, 21)RS-7, 22RS-4, 24RS-8
 --- 42, 325

FILE NAME =	USER NAME = sparksgw	DESIGNED - TJA	REVISED -	STATE OF ILLINOIS DEPARTMENT OF TRANSPORTATION	SCHEDULES OF QUANTITIES			F.A.P. RTE.	SECTION	COUNTY	TOTAL SHEETS	SHEET NO.
ci:\pw\work\p\ridot\sparksgw\d2222005\0672067-shr-schedule.dgn	DRAWN - TJA	REVISED -	**					.	MONTGOMERY	80	27	
PLDT SCALE = 100.0000' / in.	CHECKED - RTS	REVISED -				CONTRACT NO. 72D67						
PLDT DATE = Aug-25-2011 10:14:33AM	DATE - 06-22-11	REVISED -			SCALE:	SHEET NO. 10 OF 18 SHEETS	STA.	TO STA.	ILLINOIS FED. AID PROJECT			

TEMPORARY RAMPS				
LOCATION		RAMP LENGTH (FOOT)	APRON LENGTH (FOOT)	SURFACE AREA (SQ YD)
PROJECT START				
IL RTE. 16 AT OLD US 66	STA 923+67.05	200	6.67	148.15
SHERMAN ST (SOUTH SIDE)	STA 926+33.73	43	6.67	31.85
SHERMAN ST (NORTH SIDE)	STA 927+15.37	30	6.67	22.22
DOUGLAS ST (SOUTH SIDE)	STA 936+14.92	23	6.67	17.04
DOUGLAS ST (NORTH SIDE)	STA 936+14.92	20	6.67	14.81
BROWN ST	STA 939+12.52	22	6.67	16.30
N. CLINTON ST (SOUTH SIDE)	STA 942+06.93	18	6.67	13.33
N. CLINTON ST (NORTH SIDE)	STA 942+07.74	19	6.67	14.07
B & N R.R. TRACK	STA 0+13.85	48	6.67	35.56
B & N R.R. TRACK	STA 0+22.42	39	6.67	28.89
OLD MAIN (ABND)	STA 0+29.97	10	6.67	7.41
NORFOLK & SOUTHERN R.R.	STA 2+58.51	37	6.67	27.41
NORFOLK & SOUTHERN R.R.	STA 3+73.86	37	6.67	27.41
WASHINGTON ST	STA 4+16.33	22	6.67	16.30
ADAMS ST (SOUTH SIDE)	STA 6+20.53	29	6.67	21.48
ADAMS ST (NORTH SIDE)	STA 6+20.53	39	6.67	28.89
JEFFERSON ST (SOUTH SIDE)	STA 9+53.41	36	6.67	26.67
JEFFERSON ST (NORTH SIDE)	STA 9+54.25	34	6.67	25.19
MADISON ST (SOUTH SIDE)	STA 12+78.00	30	6.67	22.22
MADISON ST (NORTH SIDE)	STA 12+78.00	29	6.67	21.48
STATE ST (SOUTH SIDE)	STA 16+23.51	75	6.67	55.56
STATE ST (NORTH SIDE)	STA 16+23.51	74	6.67	54.81
MONROE ST (SOUTH SIDE)	STA 19+67.37	45	6.67	33.33
MONROE ST (NORTH SIDE)	STA 19+67.37	40	6.67	29.63
END OF URBAN SECTION	STA 19+97.28	36	6.67	26.67
BEGINNING RURAL SECTION				
O/C ROAD	STA 100+64.00	27	5.00	15.00
LITCHFIELD QUARRY RD	STA 104+29.00	26	5.83	16.85
WEST FORK SHOAL CREEK	STA 122+32.00	31	5.83	20.09
WEST FORK SHOAL CREEK	STA 158+40.49	24	5.00	13.33
WEST FORK SHOAL CREEK	STA 160+67.70	24	5.00	13.33
OLD QUARRY ROAD	STA 179+69.00	53	5.83	34.35
T.R. 625 EAST	STA 205+66.00	65	5.83	42.13
T.R. 650 EAST (PARSONS RD)	STA 216+50.00	63	5.83	40.83
T.R. 675 EAST	STA 230+04.26	71	5.83	46.02
BRUSH CREEK	STA 277+49.25	23	5.00	12.78
BRUSH CREEK	STA 279+82.33	23	5.00	12.78
CO ROAD 825 E.	STA 295+75.00	49	5.83	31.76
CO ROAD 825 E.	STA 311+01.00	76	5.83	49.26
IL RTE. 127 SB	STA 1559+22.20	15	6.67	11.11
IL RTE. 127 NB	STA 1558+79.42	15	6.67	11.11
WEINGAND RD	STA 363+18.18	38	5.83	24.63
CRESS CIRCLE	STA 378+00.00	61	5.83	39.54
INTERURBAN CR (T.R. 273)	STA 422+39.69	85	5.83	55.09
CRESS CIRCLE	STA 422+46.66	64	5.83	41.48
MIDDLE FORK SHOAL CREEK	STA 441+25.00	23	5.00	12.78
TOTAL=				1310.9

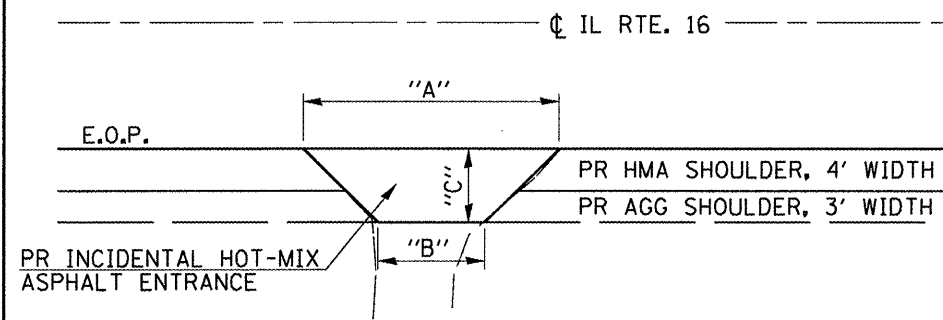
-- (15, 21)RS-7, 22RS-4, 24RS-8
 ** 42, 325

FILE NAME =	USER NAME = sparkgw	DESIGNED - TJA	REVISED -	STATE OF ILLINOIS DEPARTMENT OF TRANSPORTATION	SCHEDULES OF QUANTITIES			F.A.P. RTE.	SECTION	COUNTY	TOTAL SHEETS	SHEET NO.
c:\pwork\pwork\sparkgw\0222005\0672067-ah-ah-schedule.dgn	PLLOT SCALE = 1/8" = 1' in.	DRAWN - TJA	REVISED -					**	.	MONTGOMERY	80	28
	PLLOT DATE = Aug-25-2011 10:14:42AM	CHECKED -	REVISED -		SCALE:	SHEET NO. 11 OF 18 SHEETS	STA.	TO STA.	ILLINOIS FED. AID PROJECT			
		DATE - 07-06-11	REVISED -		CONTRACT NO. 72D67							

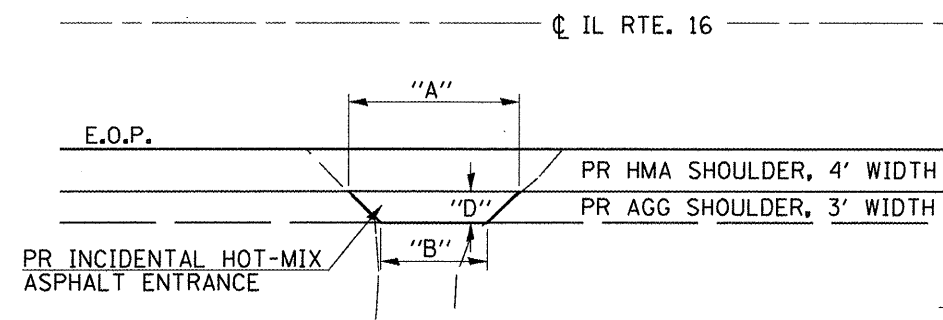
ENTRANCE AND SIDEROAD IMPROVEMENT SCHEDULE

LOCATION (LT / RT) (STA) (+)	TYPE OF ENTRANCE (FE / PE / CE / MB)	EXIST. MATERIAL (AGG. / HMA / PCC)	WIDTH "A"	WIDTH "B"	DISTANCE FROM EDGE OF PAVEMENT "C"	DISTANCE FROM OUTSIDE EDGE OF SHOULDER "D"	HMA SURF. REMOVAL - BUTT JOINT	PREPARATION OF BASE	PR HMA CONC. THICKNESS	INCIDENTAL HMA SURF.	AGGREGATE MATERIALS (PRIME COAT)	BITUMINOUS MATERIALS (PRIME COAT)
			FOOT	FOOT	FOOT	FOOT	SQ. YD.	SQ. YD.	INCH	TON	TON	TON
RT STA 101+25	PE	HMA	-	-	NO IMPROVEMENT		-		-	-		
RT STA 103+37	PE	HMA	-	-	NO IMPROVEMENT		-		-	-		
RT STA 104+33	PE	HMA	-	-	NO IMPROVEMENT		-		-	-		
LT STA 104+29	ROAD	HMA	55.0	34.0	10.0		49.4		1.75	4.8	0.1	0.02
RT STA 109+68	PE	HMA	37.3	36.0		3.0	12.2		1.75	1.2	0.0	0.00
RT STA 122+32	LITCHFIELD QUARRY RD	HMA	43.0	27.0	10.0		38.9		1.75	3.8	0.1	0.01
RT STA 125+59	MAILBOX TURNOUT	HMA	29.5	20.0		4.0	11.0		1.75	1.1	0.0	0.00
LT STA 125+59	CE	HMA	126.0	126.0	10.0		140.0		1.75	13.7	0.3	0.05
LT STA 128+52	CE	HMA	120.0	100.0	10.0		122.2		1.75	12.0	0.2	0.05
RT STA 128+52	MAILBOX TURNOUT	HMA	30.7	20.0		4.0	11.3		1.75	1.1	0.0	0.00
RT STA 132+46	PE, MAILBOX	HMA	66.3	60.0		4.0	28.1		1.75	2.8	0.1	0.01
LT STA 153+32	FE	AGG	-	-	NO IMPROVEMENT		-		-	-		
RT STA 153+87	FE	AGG	-	-	NO IMPROVEMENT		-		-	-		
RT STA 177+23	FE	HMA	26.2	27.0		6.0	17.7		1.75	1.7	0.0	0.01
RT STA 179+69	OLD QUARRY RD	HMA	90.0	72.0	10.0		90.0		1.75	8.8	0.2	0.03
RT STA 184+81	PE, MAILBOX	HMA	61.2	56.0		4.0	26.0		1.75	2.6	0.1	0.01
LT STA 184+53, STA 184+86	FE, PE	HMA	74.0	67.0		4.0	31.3		1.75	3.1	0.1	0.01
RT STA 190+18	PE, MAILBOX	HMA	53.2	51.0		4.0	23.2		1.75	2.3	0.0	0.01
RT STA 192+58	PE, MAILBOX	HMA	70.4	64.0		4.0	29.9		1.75	2.9	0.1	0.01
LT STA 192+89	PE, MAILBOX	HMA	61.0	55.0		4.0	25.8		1.75	2.5	0.1	0.01
RT STA 194+37	PE, MAILBOX	AGG	59.0	53.0		4.0	24.9	24.9	6	8.4	0.0	0.01
RT STA 197+70	PE, MAILBOX	HMA	69.0	62.0		4.0	29.1		1.75	2.9	0.1	0.01
RT STA 205+66	TR 625 EAST, MAILBOX	HMA	120.0	84.0	10.0		113.3		1.75	11.1	0.2	0.04
LT STA 205+66	MAILBOX TURNOUT	HMA	31.5	20.0		4.0	11.4		1.75	1.1	0.0	0.00
LT STA 206+80	PE	HMA	12.8	16.0		3.0	4.8		1.75	0.5	0.0	0.00
LT STA 216+50	TR 650 EAST, MAILBOX	HMA	163.0	131.0	10.0		163.3		1.75	16.0	0.3	0.06
RT STA 218+50	FE	AGG	-	-	NO IMPROVEMENT		-		-	-		
LT STA 223+50	PE, MAILBOX	HMA	67.0	64.0		4.0	29.1		1.75	2.9	0.1	0.01
RT STA 230+04	TR 675 EAST	HMA	88.0	71.0	10.0		88.3		1.75	8.7	0.2	0.03
RT STA 231+05	CE	HMA	61.4	53.0	10.0		63.6		1.75	6.2	0.1	0.02
RT STA 233+15	CE	HMA	52.0	43.0	10.0		52.8		1.75	5.2	0.1	0.02
LT STA 243+12	TR700 E-MULLEN'S TR	HMA	32.0	33.0		6.0	21.7		1.75	2.1	0.0	0.01
RT STA 245+05	FE	AGG	-	-	NO IMPROVEMENT		-		-	-		

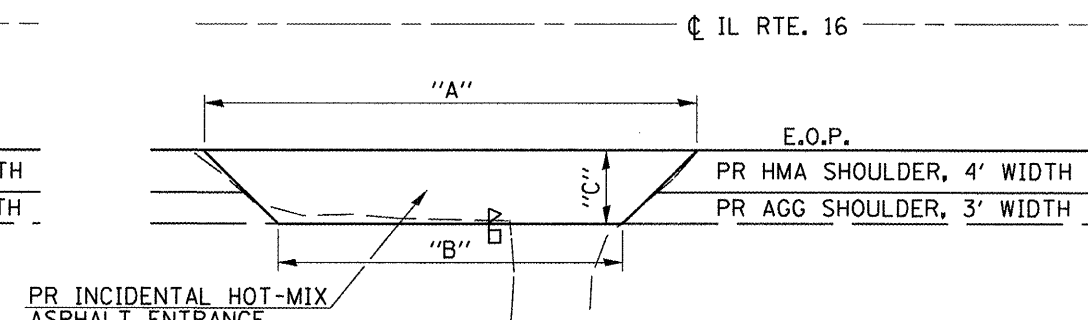
SCHEDULE CONTINUED, NEXT SHEET →



**TYPICAL FIELD, PRIVATE, OR COMMERCIAL ENTRANCE
TYPICAL SIDEROAD (MEASUREMENTS FROM E.O.P.)**



**TYPICAL FIELD, PRIVATE, OR COMMERCIAL ENTRANCE
TYPICAL SIDEROAD (MEASUREMENTS FROM OUTSIDE EDGE OF SHLDR)**



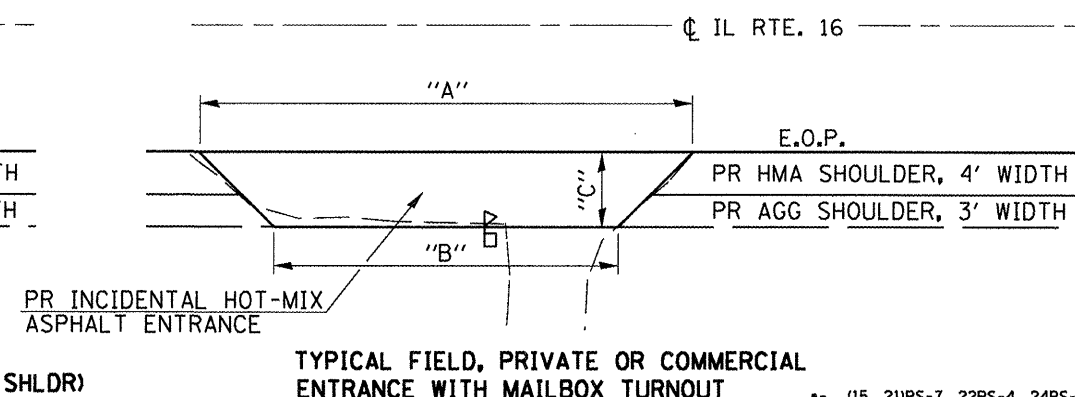
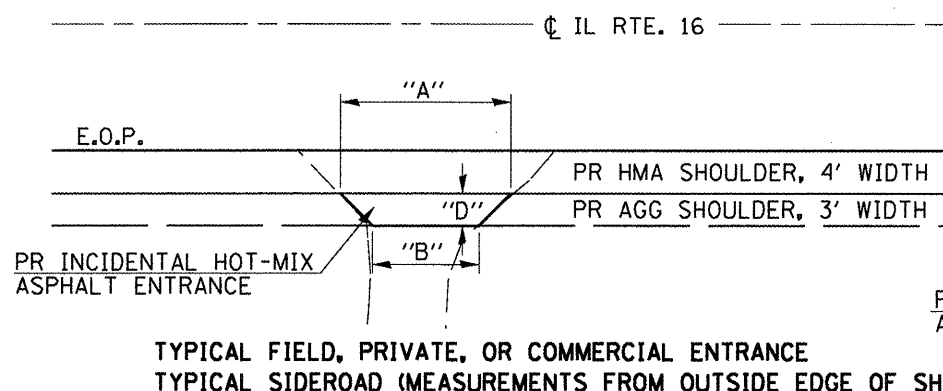
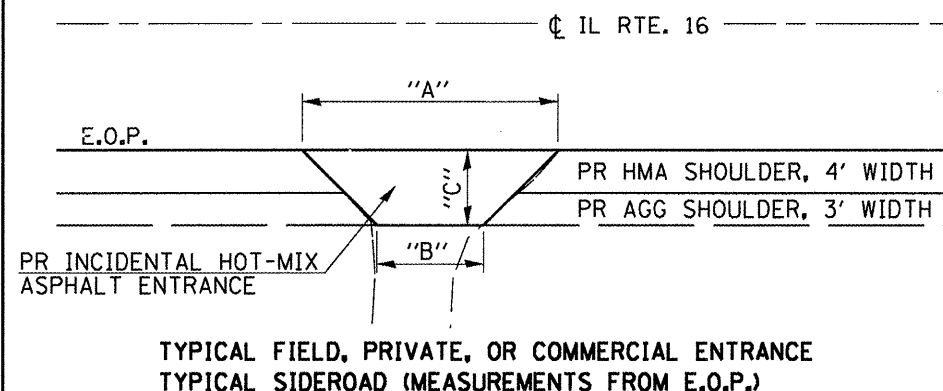
**TYPICAL FIELD, PRIVATE OR COMMERCIAL
ENTRANCE WITH MAILBOX TURNOUT**

-- (15, 21)RS-7, 22RS-4, 24RS-8
-- 42, 325

FILE NAME =	USER NAME = sparksgw	DESIGNED - RTS	REVISED -	STATE OF ILLINOIS DEPARTMENT OF TRANSPORTATION	SCHEDULES OF QUANTITIES			F.A.P. RTE.	SECTION	COUNTY	TOTAL SHEETS	SHEET NO.
o:\pw\work\pilot\sparksgw\d0222005\067	2067-sht-schedule.dgn	DRAWN - RTS	REVISED -		SCALE:	SHEET NO. 12 OF 18 SHEETS	STA.	TO STA.	MONTGOMERY	80	29	
	PLOT SCALE = 1/8" = 100.0000' / in.	CHECKED -	REVISED -									
	PLOT DATE = Aug-25-2011 10:14:58AM	DATE - 04-26-11	REVISED -									
CONTRACT NO. 72D67 ILLINOIS FED. AID PROJECT												

ENTRANCE AND SIDEROAD IMPROVEMENT SCHEDULE (CONTINUED)

LOCATION (LT / RT) (STA) (+)	TYPE OF ENTRANCE (FE / PE / CE / MB)	EXIST. MATERIAL (AGG. / HMA / PCC)	WIDTH "A"	WIDTH "B"	DISTANCE FROM EDGE OF PAVEMENT "C"	DISTANCE FROM OUTSIDE EDGE OF SHOULDER "D"	HMA SURF. REMOVAL - BUTT JOINT	PREPARATION OF BASE	PR HMA CONC. THICKNESS	INCIDENTAL HMA SURF.	AGGREGATE MATERIALS (PRIME COAT)	BITUMINOUS MATERIALS (PRIME COAT)
			FOOT	FOOT	FOOT	FOOT	SQ. YD.	SQ. YD.	INCH	TON	TON	TON
LT STA 245+10	PE	HMA	15.5	21.0		3.0	6.1		1.75	0.6	0.0	0.00
LT STA 246+20	PE	HMA	48.3	49.0		3.0	16.2		1.75	1.6	0.0	0.01
LT STA 253+12	PE, MAILBOX	HMA	48.7	42.0		4.0	20.2		1.75	2.0	0.0	0.01
RT STA 258+65	PE	HMA	39.5	35.0		3.0	12.4		1.75	1.2	0.0	0.00
RT STA 268+50	PE	HMA	92.0	80.0		3.0	28.7		1.75	2.8	0.1	0.01
LT STA 269+45	PE	HMA	52.0	45.0		3.0	16.2		1.75	1.6	0.0	0.01
RT STA 271+80	PE	HMA	33.8	31.0		3.0	10.8		1.75	1.1	0.0	0.00
LT STA 274+25	PE	HMA	53.0	47.0		3.0	16.7		1.75	1.6	0.0	0.01
RT STA 283+00	FE	AGG	-	-	NO IMPROVEMENT		-		-	-		
RT STA 292+05	PE	HMA	69.5	63.0		3.0	22.1		1.75	2.2	0.0	0.01
RT STA 295+75	PE	HMA	20.0	22.0		3.0	7.0		1.75	0.7	0.0	0.00
LT STA 295+75	CO RD 825 EAST	HMA	70.0	49.0	10.0		66.1		1.75	6.5	0.1	0.03
RT STA 307+00	CE, MAILBOX	PCC, HMA	72.3	56.0		3.0	21.4		1.75	2.1	0.0	0.01
RT STA 311+01	CO RD 825 EAST	HMA	99.0	76.0	10.0		97.2		1.75	9.5	0.2	0.04
RT STA 326+51	PE	HMA	21.8	21.0		3.0	7.1		1.75	0.7	0.0	0.00
RT STA 338+50	FE	AGG	-	-	NO IMPROVEMENT		-		-	-		
RT STA 350+10	FE	AGG	-	-	NO IMPROVEMENT		-		-	-		
LT STA 355+75	FE	AGG	-	-	NO IMPROVEMENT		-		-	-		
RT STA 357+35	FE	AGG	-	-	NO IMPROVEMENT		-		-	-		
RT STA 363+15	WEINGARD RD	HMA	60.0	40.0	10.0		55.6		1.75	5.4	0.1	0.02
LT STA 378+00	CRESS CIRCLE	HMA	75.0	61.0	10.0		75.6		1.75	7.4	0.2	0.03
LT STA 380+15	FE	AGG	-	-	NO IMPROVEMENT		-		-	-		
RT STA 380+35	CE	HMA	37.0	27.0	10.0		35.6		1.75	3.5	0.1	0.01
RT STA 383+75	CE	HMA	47.0	38.0	10.0		47.2		1.75	4.6	0.1	0.02
RT STA 422+45	INTERURBAN CR	HMA	110.0	84.0	10.0		107.8		1.75	10.6	0.2	0.04
LT STA 422+50	CRESS CIRCLE	HMA	88.0	63.0	10.0		83.9		1.75	8.2	0.2	0.03
RT STA 424+35	FE	AGG	-	-	NO IMPROVEMENT		-		-	-		
LT STA 425+76	PE, MAILBOX	HMA	53.0	50.0		4.0	22.9		1.75	2.2	0.0	0.01
LT STA 439+00	PE, MAILBOX	HMA	-	-	NO IMPROVEMENT		-		-	-		
TOTAL =							2035.9	25		205	4.1	0.77



-- (15, 21)RS-7, 22RS-4, 24RS-8
-- 42, 325

FILE NAME =	USER NAME = sparksgv	DESIGNED - RTS	REVISED -	STATE OF ILLINOIS DEPARTMENT OF TRANSPORTATION	SCHEDULES OF QUANTITIES			F.A.P. RTE.	SECTION	COUNTY	TOTAL SHEETS	SHEET NO.
e:\p\work\p\dot\sparksgv\d0222805\067	2067-sht-schedule.dgn	DRAWN - RTS	REVISED -		SCALE:	SHEET NO. 13 OF 18 SHEETS	STA.	TO STA.	MONTGOMERY	80	30	
	PLOT SCALE = 1/8" = 100.0000' / 1"	CHECKED -	REVISED -		CONTRACT NO. 72D67							
	PLOT DATE = Aug-25-2011 10:15:11AM	DATE - 04-26-11	REVISED -		ILLINOIS FED. AID PROJECT							

SHORT-TERM PAVEMENT MARKING							
STATION	TO	STATION	CENTERLINE APPLICATION 4' PER 40' DOUBLE STRIPE (FOOT)	LANE DIVIDER APPLICATION 4' PER 40' (FOOT)	STOP BAR APPLICATION 24" WIDTH (FOOT)	SHOULDER APPLICATION 4' PER 100' TWO SIDES (FOOT)	PAVEMENT MARKING REMOVAL (SQ FT)
URBAN AREA - LITCHFIELD							
APPLICATION 1 DONE AFTER MILLING							
923+67.05	TO	928+00.00	102	105	1465	-	-
928+00.00	TO	933+75.00	52.2	124	-	-	-
933+75.00	TO	938+00.00	-	68	168	-	-
938+00.00	TO	01+50.00	-	78	427	-	-
01+50.00	TO	07+15.00	-	93	292	-	-
07+15.00	TO	12+40.00	119	35	546	-	-
12+40.00	TO	18+00.00	-	90	628	-	-
18+00.00	TO	END OF SECTION	-	38	-	-	-
APPLICATION 2 DONE AFTER 2" HMA SURFACE							
923+67.05	TO	928+00.00	102	-	-	-	-
928+00.00	TO	933+75.00	52.2	-	-	-	-
933+75.00	TO	938+00.00	-	-	-	-	-
938+00.00	TO	01+50.00	-	-	-	-	-
01+50.00	TO	07+15.00	-	-	-	-	-
07+15.00	TO	12+40.00	119	-	-	-	-
12+40.00	TO	18+00.00	-	-	-	-	-
18+00.00	TO	END OF SECTION	-	-	-	-	-
RURAL AREA - IL 16 AND IL16/IL 127							
APPLICATION 1 DONE AFTER SHOULDERS AND MILLING MAINLINE							
100+64.00	TO	110+50.00	197	-	-	79	-
110+50.00	TO	127+25.00	335	-	-	134	-
127+25.00	TO	143+75.00	330	-	-	132	-
143+75.00	TO	154+75.00	220	-	-	88	-
154+75.00	TO	158+40.49	73	-	-	29	-
WEST FORK SHOAL CREEK							
160+67.70	TO	165+75.00	101	-	-	41	-
165+75.00	TO	209+75.00	880	-	-	352	-
209+75.00	TO	253+75.00	880	-	-	352	-
253+75.00	TO	277+49.25	475	-	-	190	-
BRUSH CREEK							
279+82.33	TO	297+75.00	359	-	-	143	-
297+75.00	TO	336+00.00	765	-	-	306	-
336+00.00	TO	341+25.00	157	-	-	42	-
341+25.00	TO	346+75.00	195	11	-	44	-
346+75.00	TO	352+25.00	144	42	300	44	-
352+25.00	TO	357+75.00	150	8	-	44	-
357+75.00	TO	365+00.00	145	-	-	58	-
365+00.00	TO	398+00.00	660	-	-	264	-
398+00.00	TO	428+69.55	614	-	-	246	-
STATION EQUATION: 428+69.55 BK = 433+70.11 AH							
433+70.11	TO	END OF SECTION	151	-	-	60	-

SHORT-TERM PAVEMENT MARKING (CONTINUED)							
STATION	TO	STATION	CENTERLINE APPLICATION 4' PER 40' DOUBLE STRIPE (FOOT)	LANE DIVIDER APPLICATION 4' PER 40' (FOOT)	STOP BAR APPLICATION 24" WIDTH (FOOT)	SHOULDER APPLICATION 4' PER 100' TWO SIDES (FOOT)	PAVEMENT MARKING REMOVAL (SQ FT)
APPLICATION 2 DONE AFTER BINDER							
100+64.00	TO	110+50.00	197	-	-	-	-
110+50.00	TO	127+25.00	335	-	-	-	-
127+25.00	TO	143+75.00	330	-	-	-	-
143+75.00	TO	154+75.00	220	-	-	-	-
154+75.00	TO	158+40.49	73	-	-	-	-
WEST FORK SHOAL CREEK							
160+67.70	TO	165+75.00	101	-	-	-	-
165+75.00	TO	209+75.00	880	-	-	-	-
209+75.00	TO	253+75.00	880	-	-	-	-
253+75.00	TO	277+49.25	475	-	-	-	-
BRUSH CREEK							
279+82.33	TO	297+75.00	359	-	-	-	-
297+75.00	TO	336+00.00	765	-	-	-	-
336+00.00	TO	341+25.00	157	-	-	-	-
341+25.00	TO	346+75.00	195	11	-	-	-
346+75.00	TO	352+25.00	144	42	300	-	-
352+25.00	TO	357+75.00	150	8	-	-	-
357+75.00	TO	365+00.00	145	-	-	-	-
365+00.00	TO	398+00.00	660	-	-	-	-
398+00.00	TO	428+69.55	614	-	-	-	-
STATION EQUATION: 428+69.55 BK = 433+70.11 AH							
433+70.11	TO	END OF SECTION	151	-	-	-	-
APPLICATION 3 DONE AFTER HMA SURFACE							
100+64.00	TO	110+50.00	197	-	-	79	92
110+50.00	TO	127+25.00	335	-	-	134	156
127+25.00	TO	143+75.00	330	-	-	132	154
143+75.00	TO	154+75.00	220	-	-	88	103
154+75.00	TO	158+40.49	73	-	-	29	34
WEST FORK SHOAL CREEK							
160+67.70	TO	165+75.00	101	-	-	41	47
165+75.00	TO	209+75.00	880	-	-	352	411
209+75.00	TO	253+75.00	880	-	-	352	411
253+75.00	TO	277+49.25	475	-	-	190	222
BRUSH CREEK							
279+82.33	TO	297+75.00	359	-	-	143	167
297+75.00	TO	336+00.00	765	-	-	306	357
336+00.00	TO	341+25.00	157	-	-	42	66
341+25.00	TO	346+75.00	195	-	-	44	80
346+75.00	TO	352+25.00	144	-	300	44	163
352+25.00	TO	357+75.00	150	-	-	44	65
357+75.00	TO	365+00.00	145	-	-	58	68
365+00.00	TO	398+00.00	660	-	-	264	308
398+00.00	TO	428+69.55	614	-	-	246	286
STATION EQUATION: 428+69.55 BK = 433+70.11 AH							
433+70.11	TO	END OF SECTION	151	-	-	60	70
TOTALS			31514			3260	

-- (15, 21)RS-7, 22RS-4, 24RS-8
 --- 42, 325

FILE NAME =	USER NAME = sparkgw	DESIGNED - TJA	REVISED -	STATE OF ILLINOIS DEPARTMENT OF TRANSPORTATION	SCHEDULES OF QUANTITIES	F.A.P. RTE.	SECTION	COUNTY	TOTAL SHEETS	SHEET NO.
et:\pwork\pwork\sparkgw\02222005\0672067-ht-schedule.dgn	DRAWN - TJA	REVISED -	**				MONTGOMERY	80	31	
PLDT SCALE = 1/8" = 1' / in.	CHECKED -	REVISED -					CONTRACT NO. 72D67			
PLDT DATE = Aug-25-2011 10:15:19AM	DATE - 07-08-11	REVISED -					ILLINOIS FED. AID PROJECT			
SCALE:		SHEET NO. 14 OF 18 SHEETS		STA. TO STA.						

PREFORMED PLASTIC PAVEMENT MARKING, TYPE B - INLAID - LINE 5"					
LOCATION			DISTANCE OF RUN (FOOT)	DESCRIPTION	LENGTH (FEET)
IL 16 IN LITCHFIELD					
EASTBOUND CENTERLINE					
STA 923+73.00	TO	STA 926+26.55	253.6	30' SKIP - 10' DASH, WHITE	63.4
STA 927+00.00	TO	STA 929+53.00	253.0	30' SKIP - 10' DASH, WHITE	63.3
WESTBOUND CENTERLINE					
STA 923+86.60	TO	STA 926+43.00	256.4	30' SKIP - 10' DASH, WHITE	64.1
STA 927+17.00	TO	STA 930+09.83	292.8	30' SKIP - 10' DASH, WHITE	73.2
TOTAL =			1,055.8		264.0

PREFORMED PLASTIC PAVEMENT MARKING, TYPE B- LINE 24"				
LOCATION		DIRECTION	DESCRIPTION	LENGTH (FOOT)
IL 16, LITCHFIELD:				
IL 16/OLD 66	STA 923+83.00	N.B. RIGHT TURN LANE	STOP BAR, WHITE	18.5
IL 16/OLD 66	STA 923+86.60	W.B. THRU LANES & RIGHT TURN LANE	STOP BAR, WHITE	35.0
IL 16/OLD 66	STA 923+90.00	W.B. RIGHT TURN LANE	STOP BAR, WHITE	18.5
IL 16/SHERMAN ST	STA 925+90.00	E.B. RIGHT TURN LANE	STOP BAR, WHITE	18.0
IL 16/SHERMAN ST	STA 926+26.55	E.B. RIGHT THRU LANE	STOP BAR, WHITE	12.0
IL 16/SHERMAN ST	STA 926+31.77	E.B. RIGHT THRU & LEFT TURN LANE	STOP BAR, WHITE	24.2
IL 16/SHERMAN ST	STA 927+19.20	W.B. THRU LANES	STOP BAR, WHITE	18.5
IL 16/SHERMAN ST	STA 927+21.60	W.B. LEFT TURN LANE	STOP BAR, WHITE	11.5
IL 16/SHERMAN ST	STA 927+70.00	W.B. RIGHT TURN LANE	STOP BAR, WHITE	18.7
SHERMAN ST.	STA 10+49.40	S.B. THRU LANE	STOP BAR, WHITE	12.0
SHERMAN ST.	STA 10+45.00	S.B. RIGHT TURN LANE	STOP BAR, WHITE	18.5
SHERMAN ST.	STA 10+53.10	N.B. THRU LANE	STOP BAR, WHITE	12.0
SHERMAN ST.	STA 10+55.00	N.B. RIGHT TURN LANE	STOP BAR, WHITE	18.5
DOUGLAS ST.	STA 936+00.00	S.B. THRU LANE	STOP BAR, WHITE	14.0
DOUGLAS ST.	STA 936+15.00	N.B. THRU LANE	STOP BAR, WHITE	14.0
BROWN ST.	STA 939+15.52	S.B. THRU LANE	STOP BAR, WHITE	14.0
IL 16 MAINLINE	STA 940+67.67	BI-DIRECTIONAL & E.B. THRU LANES	RR XING, WHITE	23.3
IL 16 MAINLINE	STA 941+17.67	BI-DIRECTIONAL & E.B. THRU LANES	RR XING, WHITE	23.3
IL 16 MAINLINE	STA 941+67.67	BI-DIRECTIONAL & E.B. THRU LANES	STOP BAR, WHITE	23.3
N CLINTON ST.	STA 942+00.00	S.B. THRU LANE	STOP BAR, WHITE	11.0
N CLINTON ST.	STA 942+10.00	N.B. THRU LANE	STOP BAR, WHITE	11.0
IL 16 MAINLINE	STA 0+45.43	BI-DIRECTIONAL & W.B. THRU LANES	STOP BAR, WHITE	25.0
IL 16 MAINLINE	STA 0+89.18	BI-DIRECTIONAL & W.B. THRU LANES	RR XING, WHITE	25.0
IL 16 MAINLINE	STA 1+39.18	BI-DIRECTIONAL & W.B. THRU LANES	RR XING, WHITE	25.0
IL 16 MAINLINE	STA 1+80.00	BI-DIRECTIONAL & E.B. THRU LANES	RR XING, WHITE	25.0
IL 16 MAINLINE	STA 2+30.00	BI-DIRECTIONAL & E.B. THRU LANES	RR XING, WHITE	25.0
IL 16 MAINLINE	STA 2+80.00	BI-DIRECTIONAL & E.B. THRU LANES	STOP BAR, WHITE	25.0
IL 16 MAINLINE	STA 3+21.60	BI-DIRECTIONAL & W.B. THRU LANES	STOP BAR, WHITE	25.0
IL 16 MAINLINE	STA 3+71.60	BI-DIRECTIONAL & W.B. THRU LANES	RR XING, WHITE	25.0
IL 16 MAINLINE	STA 4+21.60	BI-DIRECTIONAL & W.B. THRU LANES	RR XING, WHITE	25.0
ADAMS ST.	STA 6+20.00	S.B. THRU LANE	STOP BAR, WHITE	13.0
ADAMS ST.	STA 6+20.00	N.B. THRU LANE	STOP BAR, WHITE	13.0
IL 16/JEFFERSON S	STA 8+85.50	E.B. LEFT TURN LANE	STOP BAR, WHITE	12.0
IL 16/JEFFERSON S	STA 9+08.00	E.B. THRU LANE	STOP BAR, WHITE	18.0
JEFFERSON ST.	43' LEFT OF IL 16 C.L.	S.B. THRU LANE	STOP BAR, WHITE	20.0
JEFFERSON ST.	44' RT. OF IL 16 C.L.	N.B. THRU LANE	STOP BAR, WHITE	15.0
IL 16/JEFFERSON S	STA 9+96.00	W.B. THRU LANE	STOP BAR, WHITE	14.0
IL 16/JEFFERSON S	STA 10+17.10	W.B. LEFT TURN LANE	STOP BAR, WHITE	12.0
MADISON ST.	STA 12+78.00	S.B. THRU LANE	STOP BAR, WHITE	13.0
MADISON ST.	STA 12+78.00	N.B. THRU LANE	STOP BAR, WHITE	15.0
IL 16/STATE ST.	STA 15+69.65	BI-DIRECTIONAL & E.B. THRU LANES	STOP BAR, WHITE	24.5
STATE ST.	STA 16+23.75	S.B. THRU LANE	STOP BAR, WHITE	35.5
STATE ST.	STA 16+23.75	N.B. THRU LANE	STOP BAR, WHITE	40.5
IL 16/STATE ST.	STA 16+74.57	BI-DIRECTIONAL & W.B. THRU LANES	STOP BAR, WHITE	24.5
MONROE ST.	STA 19+67.37	S.B. THRU LANE	STOP BAR, WHITE	19.0
MONROE ST.	STA 19+67.37	N.B. THRU LANE	STOP BAR, WHITE	15.0
IL 16 / IL 127 INTERSECTION:				STOP BAR, WHITE
IL 127	STA 348+10.00	S.B. RIGHT TURN LANE	STOP BAR, WHITE	18.0
IL 127	STA 348+60.00	S.B. LEFT TURN LANE	STOP BAR, WHITE	14.0
IL 16	STA 349+25.00	W.B. RIGHT TURN LANE	STOP BAR, WHITE	18.0
TOTAL =				948.8

PREFORMED PLASTIC PAVEMENT MARKING, TYPE B, INLAID - LINE 6"					
LOCATION			DISTANCE OF RUN (FOOT)	DESCRIPTION	LENGTH (FOOT)
IL 16 IN LITCHFIELD:					
STA 923+88.75	TO	STA 924+78.87	90.12	WB LEFT TURN LANE LINE, WHITE	90.1
STA 924+78.87	TO	STA 925+53.70	74.83	EB LEFT TURN LANE (6' SKIP- 2' DASH), WHITE	18.7
STA 924+78.87	TO	STA 925+53.70	74.83	WB LEFT TURN LANE (6' SKIP- 2' DASH), WHITE	18.7
STA 925+53.70	TO	STA 926+26.55	72.85	EB LEFT TURN LANE LINE, WHITE	72.9
IL 16 AND SHERMANN ST					
STA 927+19.20	TO	STA 928+45.80	126.60	WB LEFT TURN LANE LINE, WHITE	126.6
STA 928+45.80	TO	STA 929+59.70	113.90	WB LEFT TURN LANE (6' SKIP- 2' DASH), WHITE	28.5
STA 929+59.70	TO	STA 933+70.98	411.28	EB MERGE LANE (6' SKIP- 2' DASH), WHITE	102.8
IL 16 AND DOUGLAS ST					
IL 16 AND BROWN ST					
IL 16 AND WASHINGTON ST					
STA 7+21.50	TO	STA 8+00.00	78.50	EB LEFT TURN LANE (6' SKIP- 2' DASH), WHITE	19.6
STA 8+00.00	TO	STA 9+08.00	108.00	EB LEFT TURN LANE LINE, WHITE	108.0
IL 16 AND JEFFERSON ST					
STA 9+96.00	TO	STA 11+00.00	104.00	WB LEFT TURN LANE LINE, WHITE	104.0
STA 11+00.00	TO	STA 11+80.00	80.00	WB LEFT TURN LANE (6' SKIP- 2' DASH), WHITE	20.0
IL 16 AND MADISON					
STA 14+00.00	TO	STA 14+92.50	92.50	E.B. LEFT TURN LANE (6' SKIP- 2' DASH), WHITE	23.1
STA 14+92.50	TO	STA 15+69.65	77.15	E.B. LEFT TURN LANE LINE, WHITE	77.2
IL 16 AND STATE ST					
STA 16+74.57	TO	STA 17+55.00	80.43	W.B. LEFT TURN LANE LINE, WHITE	80.4
STA 17+55.00	TO	STA 18+30.00	75.00	W.B. LEFT TURN LANE (6' SKIP- 2' DASH), WHITE	18.8
IL 16 AND MONROE ST					
IL 16 / IL 127 INTERSECTION:					
STA 343+22.40	TO	STA 345+68.50	246.10	EB LEFT TURN LANE (6' SKIP- 2' DASH), WHITE	61.5
STA 345+68.50	TO	STA 348+14.60	246.10	EB LEFT TURN LANE LINE, WHITE	246.1
STA 353+05.00	TO	STA 354+51.70	146.70	WB LEFT TURN LANE (6' SKIP- 2' DASH), WHITE	36.7
TOTAL =				3,302.8	

-- (15, 21)RS-7, 22RS-4, 24RS-8
 --- 42, 325

FILE NAME =	USER NAME = spakagw	DESIGNED - RTS	REVISED -	STATE OF ILLINOIS DEPARTMENT OF TRANSPORTATION	SCHEDULES OF QUANTITIES		F.A.P. RTE.	SECTION	COUNTY	TOTAL SHEETS	SHEET NO.
cr\pwork\pwork\spakagw\102222085\067	2067-sht-schedule.dgn	DRAWN - RTS	REVISED -		SCALE:	SHEET NO. 15 OF 18 SHEETS	STA.	TO STA.	MONTGOMERY	80	32
	PLOT SCALE = 1/8" = 20' / 1"	CHECKED -	REVISED -						CONTRACT NO. 72D67		
	PLOT DATE = Aug-25-2011 10:15:29AM	DATE - 04-26-11	REVISED -						ILLINOIS FED. AID PROJECT		

THERMOPLASTIC PAVEMENT MARKING - LINE 5"					
LOCATION		COLOR / DESCRIPTION	# OF LINES	LENGTH (FOOT)	
IL-16 FROM OLD 66 TO SHERMAN ST INTERSECTION					
STA 923+67.00	TO	STA 928+00.00	WHITE / EDGE LINE (NORTH SIDE)	1	572.7
STA 923+45.00	TO	STA 928+00.00	WHITE / EDGE LINE (SOUTH SIDE)	1	633.6
STA 923+86.60	TO	STA 926+26.55	YELLOW / CENTERLINE	2	481.6
SHERMAN ST - N SIDE			YELLOW / CENTERLINE	2	152.1
SHERMAN ST - S SIDE			YELLOW / CENTERLINE	2	238.5
STA 927+21.60	TO	STA 928+45.80	YELLOW / CENTERLINE	2	248.4
IL 16 MAINLINE					
STA 928+45.80	TO	STA 929+59.70	YELLOW / MEDIAN	4	455.6
STA 929+59.70	TO	STA 935+72.00	YELLOW / MEDIAN	2	1,224.6
STA 929+59.70	TO	STA 935+72.00	YELLOW SKIP DASH (30' - 10') / MEDIAN	2	320.0
STA 928+00.00	TO	STA 935+72.00	WHITE / EDGE LINE	2	1,544.0
IL 16 / DOUGLAS ST			WHITE / RADIUS EDGE LINE	ALL RADII	191.5
STA 936+56.10	TO	STA 938+71.38	YELLOW / MEDIAN	2	430.6
STA 936+56.10	TO	STA 938+71.38	YELLOW SKIP DASH (30' - 10') / MEDIAN	2	120.0
STA 936+56.10	TO	STA 938+71.38	WHITE / EDGE LINE	2	430.6
IL 16 / BROWN ST			WHITE / RADIUS EDGE LINE	ALL RADII	95.8
STA 938+71.38	TO	STA 939+54.45	WHITE / EDGE LINE	1	83.0
STA 939+54.45	TO	STA 941+67.67	WHITE / EDGE LINE	2	426.0
STA 939+54.45	TO	STA 941+67.67	YELLOW / MEDIAN	2	426.0
STA 939+54.45	TO	STA 941+67.67	YELLOW SKIP DASH (30' - 10') / MEDIAN	2	120.0
IL 16 / N CLINTON ST			WHITE / RADIUS EDGE LINE	ALL RADII	95.2
STA 0+39.18	TO	STA 2+80.00	WHITE / EDGE LINE	2	482.0
STA 0+39.18	TO	STA 2+80.00	YELLOW / MEDIAN	2	482.0
STA 0+39.18	TO	STA 2+80.00	YELLOW SKIP DASH (30' - 10') / MEDIAN	2	140.0
STA 3+21.60	TO	STA 3+91.98	WHITE / EDGE LINE	2	141.0
STA 3+91.98	TO	STA 4+33.84	WHITE / EDGE LINE	1	42.0
STA 4+33.84	TO	STA 5+91.00	WHITE / EDGE LINE	2	314.0
STA 3+21.60	TO	STA 5+91.00	YELLOW / MEDIAN	2	539.0
STA 3+21.60	TO	STA 5+91.00	YELLOW SKIP DASH (30' - 10') / MEDIAN	2	140.0
STA 6+46.00	TO	STA 8+92.00	WHITE / EDGE LINE	2	492.0
STA 6+46.00	TO	STA 7+21.50	YELLOW / MEDIAN	2	151.0
STA 6+46.00	TO	STA 7+21.50	YELLOW SKIP DASH (30' - 10') / MEDIAN	2	40.0
STA 7+21.50	TO	STA 8+00.00	YELLOW / MEDIAN	4	302.0
STA 8+00.00	TO	STA 8+85.50	YELLOW / CENTERLINE	2	171.0
IL 16 / JEFFERSON ST			WHITE / RADIUS EDGE LINE	ALL RADII	325.2
JEFFERSON ST - SOUTH SIDE OF IL 16			YELLOW / MEDIAN	4	432.5
STA 10+17.70	TO	STA 11+00.00	YELLOW / CENTERLINE	2	165.0
STA 11+00.00	TO	STA 11+80.00	YELLOW / MEDIAN	4	307.0
STA 11+80.00	TO	STA 12+50.20	YELLOW / MEDIAN	2	140.0
STA 11+80.00	TO	STA 12+50.20	YELLOW SKIP DASH (30' - 10') / MEDIAN	2	40.0
STA 10+17.10	TO	STA 12+50.20	WHITE / EDGE LINE	2	466.0
IL 16 / MADISON ST			WHITE / RADIUS EDGE LINE	ALL RADII	80.0
STA 13+04.41	TO	STA 14+00.00	YELLOW / MEDIAN	2	191.0
STA 13+04.41	TO	STA 14+00.00	YELLOW SKIP DASH (30' - 10') / MEDIAN	2	60.0
STA 13+04.41	TO	STA 15+65.82	WHITE / EDGE LINE	2	523.0
STA 14+00.00	TO	STA 14+92.50	YELLOW / MEDIAN	4	370.0
STA 14+92.50	TO	STA 15+69.65	YELLOW / MEDIAN	2	154.0
IL 16 / STATE ST			WHITE / RADIUS EDGE LINE	ALL RADII	100.0
STA 16+76.00	TO	STA 19+30.00	YELLOW / MEDIAN	2	508.0
STA 16+76.00	TO	STA 19+36.00	WHITE / EDGE LINE	1	260.0
IL 16 / MONROE ST			WHITE / RADIUS EDGE LINE	ALL RADII	54.9
STA 335+75.73	TO	STA 338+50.00	YELLOW / CL	2	549.0
STA 338+50.00	TO	STA 345+68.60	YELLOW / MEDIAN	4	2,755.0
STA 336+50.00	TO	STA 347+00.00	WHITE / EDGE LINE	2	2,100.0
STA 345+68.60	TO	STA 348+14.60	YELLOW / CENTERLINE	2	492.0
STA 347+00.00	TO	STA 350+00.00	WHITE / EDGE LINE, RIGHT	1	300.0
IL 16 / IL 127			WHITE / RADIUS EDGE LINE	ALL RADII	444.1
STA 349+34.41	TO	STA 354+66.34	YELLOW / MEDIAN	4	2,066.0
STA 354+66.34	TO	STA 356+50.00	YELLOW / MEDIAN	2	367.0
STA 350+00.00	TO	STA 356+50.00	WHITE / EDGE LINE	2	1,300.0
TOTAL					26,275.4

THERMOPLASTIC PAVEMENT MARKING - LINE 8"				
LOCATION		DESCRIPTION		LENGTH (FOOT)
IL RTE. 16 / OLD U.S. 66:				
SOUTHEAST ISLAND		ISLAND BORDER LINE / WHITE		110.1
NORTHEAST ISLAND		ISLAND BORDER LINE / WHITE		118.0
IL RTE 16 / SHERMAN ST.:				
NORTHWEST ISLAND		ISLAND BORDER LINE / WHITE		142.6
SOUTHWEST ISLAND		ISLAND BORDER LINE / WHITE		168.7
SOUTHEAST ISLAND		ISLAND BORDER LINE / WHITE		179.9
NORTHEAST ISLAND		ISLAND BORDER LINE / WHITE		131.1
IL RTE. 16:				
STA 16+72.24	TO	STA 17+04.14	E.B. PARKING LANE BORDER / WHITE	36.0
STA 18+94.11	TO	STA 19+28.37	E.B. PARKING LANE BORDER / WHITE	36.0
IL RTE. 16 / IL RTE. 127 JUNCTION:				
NORTHWEST ISLAND		ISLAND BORDER LINE / WHITE		162.5
IL RTE 127		RAISED MEDIAN BORDER / YELLOW		83.9
NORTHEAST ISLAND		ISLAND BORDER LINE / WHITE		239.3
TOTAL =				1,417.1

THERMOPLASTIC PAVEMENT MARKING - LINE 12"				
LOCATION		DESCRIPTION		LENGTH (FOOT)
ILL RTE. 16 / OLD U.S. 66:				
SOUTHEAST ISLAND		ISLAND CHEVRONS / WHITE		7.0
NORTHEAST ISLAND		ISLAND CHEVRONS / WHITE		41.0
IL RTE. 16 / SHERMAN ST.:				
NORTHWEST ISLAND		ISLAND CHEVRONS / WHITE		13.8
SOUTHWEST ISLAND		ISLAND CHEVRONS / WHITE		60.2
NORTHEAST ISLAND		ISLAND CHEVRONS / WHITE		17.7
SOUTHEAST ISLAND		ISLAND CHEVRONS / WHITE		24.4
IL RTE. 16 / JEFFERSON ST.:				
SOUTH OF IL RTE. 16		CHEVRONS / WHITE		25.0
IL RTE. 16				
STA. 16+72.24	TO	STA. 17+04.14	PARKING LANE CHEVRONS / WHITE	18.0
STA. 18+94.11	TO	STA. 19+28.37	PARKING LANE CHEVRONS / WHITE	19.0
IL RTE. 16 / IL RTE. 127 JUNCTION:				
STA. 338+89.64	TO	STA. 345+47.96	MAINLINE CHEVRONS / WHITE	158.0
STA. 348+00.00	TO	STA. 248+57.95	NORTHWEST ISLAND CHEVRONS / WHITE	63.0
STA. 348+96.57	TO	STA. 349+78.89	SOUTHWEST ISLAND CHEVRONS / WHITE	82.3
STA. 349+34.31	TO	STA. 354+51.70	MAINLINE CHEVRONS / WHITE	125.3
TOTAL =				654.7

-- (15, 21)RS-7, 22RS-4, 24RS-8
 -- 42, 325

FILE NAME =	USER NAME = sparksgv	DESIGNED - RTS	REVISED -	STATE OF ILLINOIS DEPARTMENT OF TRANSPORTATION	SCHEDULES OF QUANTITIES	F.A.P. RTE.	SECTION	COUNTY	TOTAL SHEETS	SHEET NO.	
o:\pwork\p\d01\sparksgv\d0222005\067	2067-ah- schedule.dgn	DRAWN - RTS	REVISED -			**	*	MONTGOMERY	80	33	
PLOT SCALE = 1/8" = 1' / in.		CHECKED -	REVISED -			CONTRACT NO. 72D67					
PLOT DATE = Aug-25-2011 10:15:37AM		DATE - 04-26-11	REVISED -			ILLINOIS FED. AID PROJECT					
				SCALE:	SHEET NO. 16 OF 18 SHEETS	STA.	TO STA.				

PAINT PAVEMENT MARKING - LINE 5"				
LOCATION		COLOR / DESCRIPTION	LENGTH (FOOT)	
IL 16 MAINLINE				
LEFT SIDE E.O.P.:				
STA 100+64.00	TO	STA 104+01.00	WHITE / LEFT EDGE, SOLID	337.0
STA 104+55.00	TO	STA 110+50.00	WHITE / LEFT EDGE, SOLID	595.0
STA 110+50.00	TO	STA 131+27.83	WHITE / LEFT EDGE, SOLID	2,077.8
STATION EQUATION: 131+27.83 (BACK) = 131+19.80 (AHEAD)				
STA 131+19.80	TO	STA 165+75.00	WHITE / LEFT EDGE, SOLID	3,455.2
STA 165+75.00	TO	STA 209+75.00	WHITE / LEFT EDGE, SOLID	4,400.0
STA 209+75.00	TO	STA 215+72.00	WHITE / LEFT EDGE, SOLID	597.0
STA 217+36.00	TO	STA 242+85.00	WHITE / LEFT EDGE, SOLID	2,549.0
STA 243+40.00	TO	STA 295+40.00	WHITE / LEFT EDGE, SOLID	5,200.0
STA 296+10.00	TO	STA 335+75.73	WHITE / LEFT EDGE, SOLID	3,965.7
STA 355+64.76	TO	STA 365+00.00	WHITE / LEFT EDGE, SOLID	935.2
STA 365+00.00	TO	STA 377+80.00	WHITE / LEFT EDGE, SOLID	1,280.0
STA 378+55.00	TO	STA 422+10.00	WHITE / LEFT EDGE, SOLID	4,355.0
STA 423+00.00	TO	STA 428+69.55	WHITE / LEFT EDGE, SOLID	569.6
STATION EQUATION: 428+69.55 (BACK) = 433+70.11 (AHEAD)				
STA 433+70.11	TO	STA 441+25.00	WHITE / LEFT EDGE, SOLID	754.9
RIGHT SIDE E.O.P.:				
STA 100+64.00	TO	STA 122+07.00	WHITE / RIGHT EDGE, SOLID	2,143.0
STA 122+54.00	TO	STA 131+27.83	WHITE / RIGHT EDGE, SOLID	873.8
STATION EQUATION: 131+27.83 (BACK) = 131+19.80 (AHEAD)				
STA 131+19.80	TO	STA 179+20.00	WHITE / RIGHT EDGE, SOLID	4,800.2
STA 180+15.00	TO	STA 205+00.00	WHITE / RIGHT EDGE, SOLID	2,485.0
STA 206+15.00	TO	STA 229+50.00	WHITE / RIGHT EDGE, SOLID	2,335.0
STA 230+40.00	TO	STA 310+50.00	WHITE / RIGHT EDGE, SOLID	8,010.0
STA 311+50.00	TO	STA 335+75.73	WHITE / RIGHT EDGE, SOLID	2,425.7
STA 355+64.76	TO	STA 362+79.00	WHITE / RIGHT EDGE, SOLID	714.2
STA 363+55.00	TO	STA 421+66.00	WHITE / RIGHT EDGE, SOLID	5,811.0
STA 422+78.00	TO	STA 428+69.55	WHITE / RIGHT EDGE, SOLID	591.6
STATION EQUATION: 428+69.55 (BACK) = 433+70.11 (AHEAD)				
STA 433+70.11	TO	STA 441+25.00	WHITE / RIGHT EDGE, SOLID	754.9
CENTERLINE (10' DASH - 30' SKIP)				
STA 100+64.00	TO	STA 113+84.00	YELLOW / CENTERLINE, (10' DASH-30' SKIP)	330.0
STA 129+49.00	TO	STA 131+27.83	YELLOW / CENTERLINE, (10' DASH-30' SKIP)	44.7
STATION EQUATION: 131+27.83 (BACK) = 131+19.80 (AHEAD)				
STA 131+19.80	TO	STA 177+26.00	YELLOW / CENTERLINE, (10' DASH-30' SKIP)	1,151.6
STA 190+47.00	TO	STA 290+71.00	YELLOW / CENTERLINE, (10' DASH-30' SKIP)	2,506.0
STA 296+03.00	TO	STA 335+75.73	YELLOW / CENTERLINE, (10' DASH-30' SKIP)	993.2
STA 356+50.00	TO	STA 389+30.20	YELLOW / CENTERLINE, (10' DASH-30' SKIP)	820.0
STA 399+43.00	TO	STA 428+69.55	YELLOW / CENTERLINE, (10' DASH-30' SKIP)	731.6
STATION EQUATION: 428+69.55 (BACK) = 433+70.11 (AHEAD)				
STA 433+70.11	TO	STA 441+25.00	YELLOW / CENTERLINE, (10' DASH-30' SKIP)	188.7
NO PASSING ZONE, EASTBOUND TRAFFIC				
STA 107+04.00	TO	STA 129+49.00	YELLOW / NO PASS LINE, SOLID	2,245.0
STA 167+45.00	TO	STA 190+47.00	YELLOW / NO PASS LINE, SOLID	2,302.0
STA 232+98.00	TO	STA 243+72.00	YELLOW / NO PASS LINE, SOLID	1,074.0
STA 255+19.00	TO	STA 268+52.00	YELLOW / NO PASS LINE, SOLID	1,333.0
STA 281+60.00	TO	STA 296+03.00	YELLOW / NO PASS LINE, SOLID	1,443.0
STA 329+17.00	TO	STA 335+75.73	YELLOW / NO PASS LINE, SOLID	658.7
STA 379+15.00	TO	STA 399+43.00	YELLOW / NO PASS LINE, SOLID	2,028.0
NO PASSING ZONE, WESTBOUND TRAFFIC				
STA 113+84.00	TO	STA 131+27.83	YELLOW / NO PASS LINE, SOLID	1,743.8
STATION EQUATION: 131+27.83 (BACK) = 131+19.80 (AHEAD)				
STA 131+19.80	TO	STA 135+81.00	YELLOW / NO PASS LINE, SOLID	461.2
STA 177+26.00	TO	STA 190+47.00	YELLOW / NO PASS LINE, SOLID	1,321.0
STA 243+72.00	TO	STA 255+19.00	YELLOW / NO PASS LINE, SOLID	1,147.0
STA 268+52.00	TO	STA 281+60.00	YELLOW / NO PASS LINE, SOLID	1,308.0
STA 290+17.00	TO	STA 304+53.00	YELLOW / NO PASS LINE, SOLID	1,436.0
STA 356+50.00	TO	STA 363+10.00	YELLOW / NO PASS LINE, SOLID	660.0
STA 389+30.00	TO	STA 410+44.00	YELLOW / NO PASS LINE, SOLID	2,114.0
TOTAL =				90,056.5

THERMOPLASTIC PAVEMENT MARKING - LINE 6"			
LOCATION	COLOR / DESCRIPTION	# OF LINES	LENGTH (FOOT)
IL 16 MAINLINE			
STA. 17+04.14 TO STA. 18+94.11	WHITE / E.B. PARKING LANE LINE	1	190.0
STA. 18+30.00 TO STA. 19+30.00	WHITE / W.B. PARKING LANE LINE	1	100.0
TOTAL =			290.0

GUARDRAIL TREATMENT						
LOCATION				GUARDRAIL REMOVAL	TRAFFIC BARRIER TERMINAL, TYPE 1 SPECIAL (TANGENT)	TERMINAL MARKER DIRECTLY APPLIED
STATION	TO	STATION	LEFT / RIGHT	(FOOT)	(EACH)	(EACH)
423+71.0		424+21.0	RIGHT	50	1	1
424+51.0		425+01.0	RIGHT	50	1	1
439+58.5		440+08.5	LEFT	50	1	1
444+20.5		444+70.5	RIGHT	50	1	1
445+08.0		445+58.0	LEFT	50	1	1
TOTALS:				250	5	5

-- (15, 21)RS-7, 22RS-4, 24RS-8
 -- 42, 325

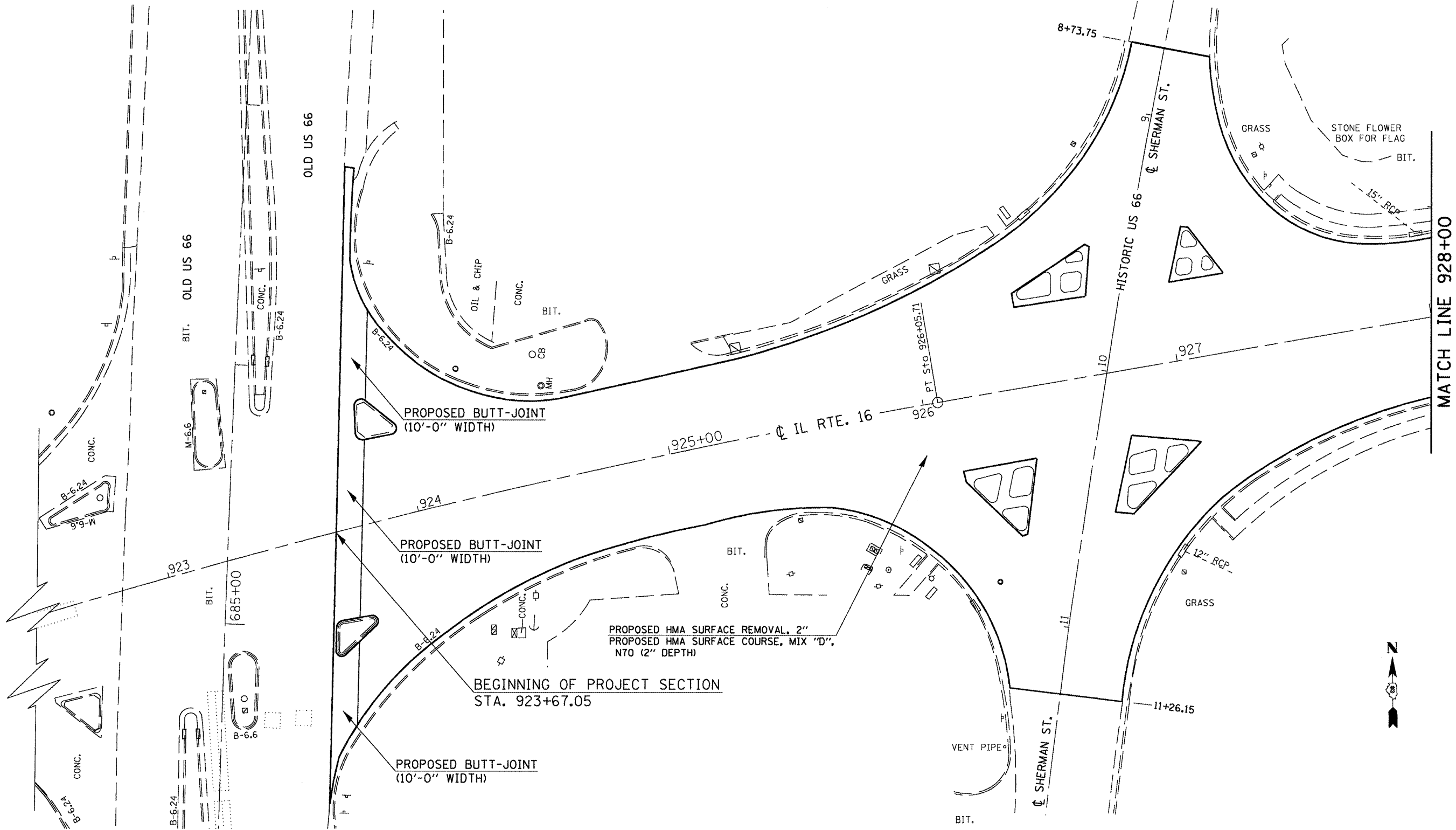
FILE NAME =	USER NAME = sparksgw	DESIGNED - RTS	REVISED -	STATE OF ILLINOIS DEPARTMENT OF TRANSPORTATION	SCHEDULES OF QUANTITIES			F.A.P. RTE.	SECTION	COUNTY	TOTAL SHEETS	SHEET NO.
o:\pw\work\p\d01\sparksgw\d0222005\0672067-ahc-schedule.dgn	PLT SCALE = 1/8"=1'-0"	DRAWN - RTS	REVISED -					**	.	MONTGOMERY	80	34
	PLT DATE = Aug-25-2011 10:15:43AM	CHECKED -	REVISED -		SCALE:	SHEET NO. 17 OF 18 SHEETS	STA.	TO STA.	ILLINOIS FED. AID PROJECT		CONTRACT NO. 72D67	
		DATE - 04-26-11	REVISED -									

PREFORMED PLASTIC PAVEMENT, TYPE B - INLAID- LETTERS & SYMBOLS		
LOCATION	MARKING TYPE	QUANTITY
		(SURFACE AREA) SQ FT
IL RTE. 16 (LITCHFIELD)		
STA 924+11.60	LEFT LANE TURN ARROW	15.60
STA 924+74.00	LEFT LANE TURN ARROW	15.60
STA 925+55.00	LEFT LANE TURN ARROW	15.60
STA 926+00.00	LEFT LANE TURN ARROW	15.60
STA 927+50.00	LEFT LANE TURN ARROW	15.60
STA 928+43.00	LEFT LANE TURN ARROW	15.60
STA 929+83.00	MEDIAN LEFT TURN ARROW	15.60
STA 930+15.00	MEDIAN LEFT TURN ARROW	15.60
STA 931+16.00	MEDIAN LEFT TURN ARROW	15.60
STA 931+48.00	MEDIAN LEFT TURN ARROW	15.60
STA 932+49.00	MEDIAN LEFT TURN ARROW	15.60
STA 932+81.00	MEDIAN LEFT TURN ARROW	15.60
STA 933+81.00	MEDIAN LEFT TURN ARROW	15.60
STA 934+13.00	MEDIAN LEFT TURN ARROW	15.60
STA 935+13.00	MEDIAN LEFT TURN ARROW	15.60
STA 935+45.00	MEDIAN LEFT TURN ARROW	15.60
STA 936+81.00	MEDIAN LEFT TURN ARROW	15.60
STA 937+13.00	MEDIAN LEFT TURN ARROW	15.60
STA 938+13.00	MEDIAN LEFT TURN ARROW	15.60
STA 938+45.00	MEDIAN LEFT TURN ARROW	15.60
STA 939+79.00	MEDIAN LEFT TURN ARROW	15.60
STA 940+11.00	MEDIAN LEFT TURN ARROW	15.60
STA 941+11.00	MEDIAN LEFT TURN ARROW	15.60
STA 941+43.00	MEDIAN LEFT TURN ARROW	15.60
STA 0+70.00	MEDIAN LEFT TURN ARROW	15.60
STA 1+02.00	MEDIAN LEFT TURN ARROW	15.60
STA 2+23.00	MEDIAN LEFT TURN ARROW	15.60
STA 2+55.00	MEDIAN LEFT TURN ARROW	15.60
STA 3+46.00	MEDIAN LEFT TURN ARROW	15.60
STA 3+78.00	MEDIAN LEFT TURN ARROW	15.60
STA 5+34.00	MEDIAN LEFT TURN ARROW	15.60
STA 5+66.00	MEDIAN LEFT TURN ARROW	15.60
STA 6+71.00	MEDIAN LEFT TURN ARROW	15.60
STA 7+03.00	MEDIAN LEFT TURN ARROW	15.60
STA 8+04.00	LEFT LANE TURN ARROW	15.60
STA 8+60.00	LEFT LANE TURN ARROW	15.60
STA 10+43.00	LEFT LANE TURN ARROW	15.60
STA 10+93.00	LEFT LANE TURN ARROW	15.60
STA 11+93.00	MEDIAN LEFT TURN ARROW	15.60
STA 12+25.00	MEDIAN LEFT TURN ARROW	15.60
STA 13+29.00	MEDIAN LEFT TURN ARROW	15.60
STA 13+61.00	MEDIAN LEFT TURN ARROW	15.60
STA 14+97.00	LEFT LANE TURN ARROW	15.60
STA 15+45.00	LEFT LANE TURN ARROW	15.60
STA 16+91.00	LEFT LANE TURN ARROW	15.60
STA 17+51.00	LEFT LANE TURN ARROW	15.60
IL RTE. 16 RAILROAD CROSSINGS (LITCHFIELD)		
STA 940+92.00	2 x R.R. CROSS-BUCK ("X" & "R")	122.40
STA 1+16.00	2 x R.R. CROSS-BUCK ("X" & "R")	122.40
STA 2+04.00	2 x R.R. CROSS-BUCK ("X" & "R")	122.40
STA 3+98.00	2 x R.R. CROSS-BUCK ("X" & "R")	122.40
IL RTE. 16/127 INTERSECTION		
STA 345+73.00	LEFT LANE TURN ARROW	15.60
STA 346+81.00	LEFT LANE TURN ARROW	15.60
STA 347+89.00	LEFT LANE TURN ARROW	15.60
STA 350+12.00	RIGHT LAND TURN ARROW	15.60
STA 351+08.00	RIGHT LAND TURN ARROW	15.60
STA 352+04.00	RIGHT LAND TURN ARROW	15.60
STA 353+00.00	RIGHT LAND TURN ARROW	15.60
TOTALS:		1332.00

RAISED REFLECTIVE PAVEMENT MARKERS						
LOCATION			ONE-WAY CRYSTAL (EACH)	ONE-WAY AMBER (EACH)	TWO-WAY AMBER (EACH)	MARKER SPACING (FOOT)
IL RTE. 16 IN LITCHFIELD						
STA 923+86.60	TO	STA 927+00.00	18		17	40
STA 927+00.00	TO	STA 930+00.00	16		14	40
STA 930+00.00	TO	STA 933+75.00			18	40
STA 933+75.00	TO	STA 938+00.00			16	40
STA 938+00.00	TO	STA 942+12.70			14	40
STATION EQUATION: 942+12.70 BK = 0+00.00 AH						
STA 0+00.00	TO	STA 1+50.00			4	40
STA 1+50.00	TO	STA 7+15.00			22	40
STA 7+15.00	TO	STA 9+00.00	3		10	40
STA 9+00.00	TO	STA 12+40.00	3		10	40
STA 12+40.00	TO	STA 18+00.00	6		24	40
STA 18+00.00	TO	STA 20+00.00			6	40
IL RTE. 16 MAINLINE						
STA 100+64.00	TO	STA 104+50.00			5	80
STA 104+50.00	TO	STA 110+50.00			7	80
STA 110+50.00	TO	STA 116+25.00			7	80
STA 116+25.00	TO	STA 121+75.00			7	80
STA 121+75.00	TO	STA 127+25.00			7	80
STA 127+25.00	TO	STA 132+75.00			7	80
STA 132+75.00	TO	STA 138+25.00			7	80
STA 138+25.00	TO	STA 143+75.00			7	80
STA 143+75.00	TO	STA 149+25.00			7	80
STA 149+25.00	TO	STA 154+75.00			7	80
STA 154+75.00	TO	STA 158+40.49			4	80
WEST FORK SHOAL CREEK						
STA 160+67.70	TO	STA 165+75.00			7	80
STA 165+75.00	TO	STA 176+75.00			14	80
STA 176+75.00	TO	STA 187+75.00			14	80
STA 187+75.00	TO	STA 198+75.00			14	80
STA 198+75.00	TO	STA 209+75.00			14	80
STA 209+75.00	TO	STA 220+75.00			14	80
STA 220+75.00	TO	STA 231+75.00			14	80
STA 231+75.00	TO	STA 242+75.00			14	80
STA 242+75.00	TO	STA 253+75.00			14	80
STA 253+75.00	TO	STA 264+75.00			14	80
STA 264+75.00	TO	STA 275+75.00			14	80
STA 275+75.00	TO	STA 278+00.00			3	80
BRUSH CREEK						
STA 279+00.00	TO	STA 286+75.00			9	80
STA 286+75.00	TO	STA 297+75.00			14	80
STA 297+75.00	TO	STA 308+75.00			14	80
STA 308+75.00	TO	STA 319+75.00			14	80
STA 319+75.00	TO	STA 330+75.00			14	80
STA 330+75.00	TO	STA 335+75.00			6	80
STA 335+75.00	TO	STA 336+50.00			1	80
STA 336+50.00	TO	STA 341+25.00			12	80
STA 341+25.00	TO	STA 345+68.60			16	40 / 80
STA 345+68.60	TO	STA 348+70.71	7		12	40
IL RTE. 16/IL RTE. 127						
RAISED CONCRETE ISLANDS @ INTERSECTION			12			
RAISED CONCRETE MEDIAN ON IL 127				4		
STA 348+70.71	TO	STA 352+25.00	6		12	40 / 80
STA 352+25.00	TO	STA 353+05.00	3		2	40 / 80
STA 353+05.00	TO	STA 357+75.00			11	80
STA 357+75.00	TO	STA 365+00.00			8	80
STA 365+00.00	TO	STA 376+00.00			14	80
STA 376+00.00	TO	STA 387+00.00			14	80
STA 387+00.00	TO	STA 398+00.00			14	80
STA 398+00.00	TO	STA 409+00.00			14	80
STA 409+00.00	TO	STA 420+00.00			14	80
STA 420+00.00	TO	STA 428+69.55			11	80
STA STATION EQUATION: 428+69.55 BH=433+70.11 AH						
STA 433+70.11	TO	STA 436+50.00			4	80
STA 436+50.00	TO	STA 441+25.00			6	80
TOTALS =			74	4	613	

-- (15, 21RS-7, 22RS-4, 24RS-8
 --- 42, 325

FILE NAME =	USER NAME = sparksgw	DESIGNED - TJA	REVISED -	STATE OF ILLINOIS DEPARTMENT OF TRANSPORTATION	SCHEDULES OF QUANTITIES		F.A.P. RTE. ..	SECTION	COUNTY	TOTAL SHEETS	SHEET NO.
o:\pr-work\p\idoc\sparksgw\08222805\0672067-ah-t-schedule.dgn	PLDT SCALE = 1/8" = 100' / in.	DRAWN - TJA	REVISED -		SCALE:	SHEET NO. 18 OF 18 SHEETS	STA.		MONTGOMERY	80	35
	PLDT DATE = Aug-25-2011 10:15:48AM	CHECKED -	REVISED -				TO STA.				
		DATE - 06-29-11	REVISED -						ILLINOIS FED. AID PROJECT		
CONTRACT NO. 72D67											

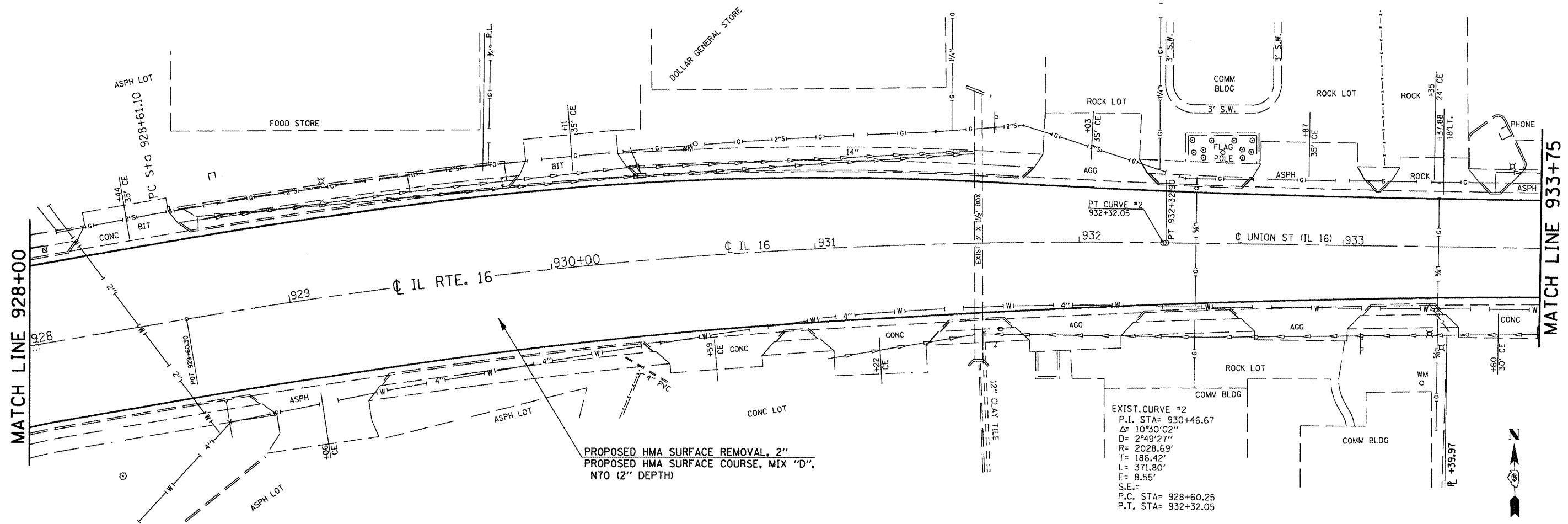


NOTE:
 THE PROPOSED PAVEMENT STRIPING IS NOT SHOWN
 ON THIS PLAN SHEET. SEE PAVEMENT MARKING SHEETS
 AND SCHEDULES FOR PROPOSED STRIPING LOCATIONS.

TOTAL AREA, THIS SHEET = 4,915 SQ YD

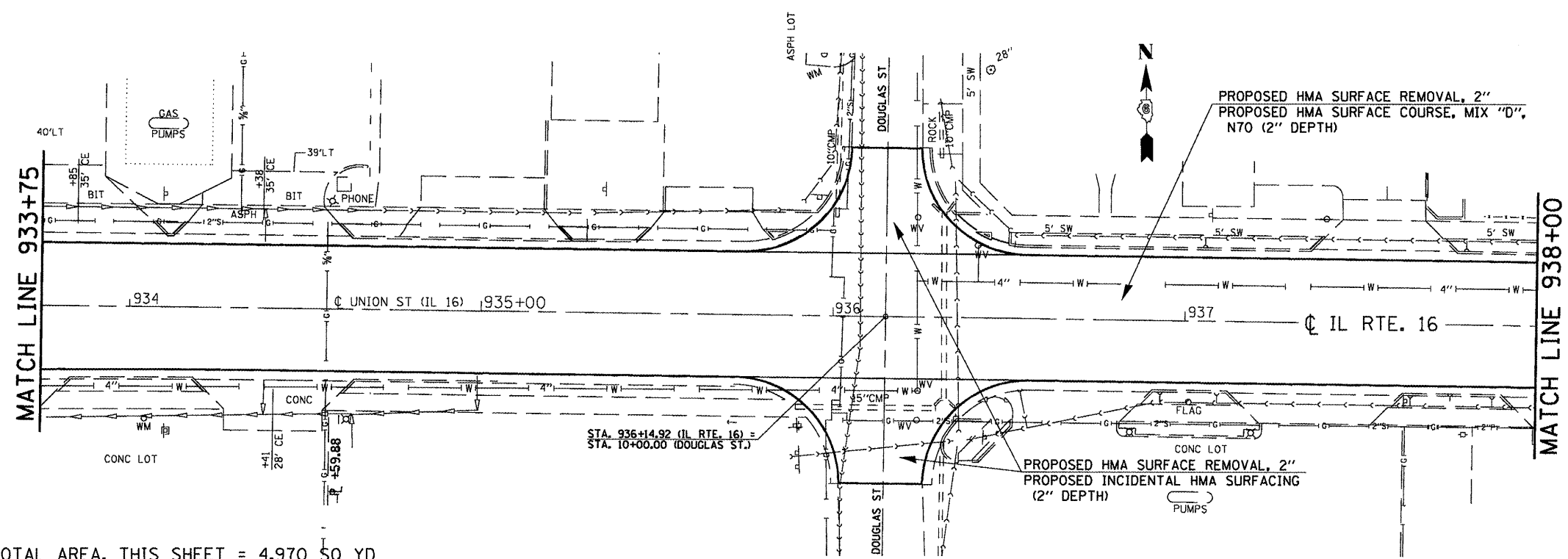
-- 325, 42
 ** (15, 21)RS-7, 22RS-4, 24RS-8

FILE NAME = a:\pw\work\p\dot\sparkgw\d0222005\1067	USER NAME = sparkgw	DESIGNED - RTS	REVISED -	STATE OF ILLINOIS DEPARTMENT OF TRANSPORTATION	PLAN SHEET (LITCHFIELD)	F.A.P. RTE.	SECTION	COUNTY	TOTAL SHEETS	SHEET NO.
	PLT SCALE = 48,0000 ' / in.	DRAWN - RTS	REVISED -			*	**	MONTGOMERY	80	36
	PLT DATE = Aug-25-2011 10:16:01AM	CHECKED -	REVISED -			CONTRACT NO. 72067				
	DATE - 06-15-11	REVISED -		SCALE:	SHEET NO. 1 OF 5 SHEETS	STA.	TO STA.	FED. ROAD DIST. NO. ILLINOIS FED. AID PROJECT		



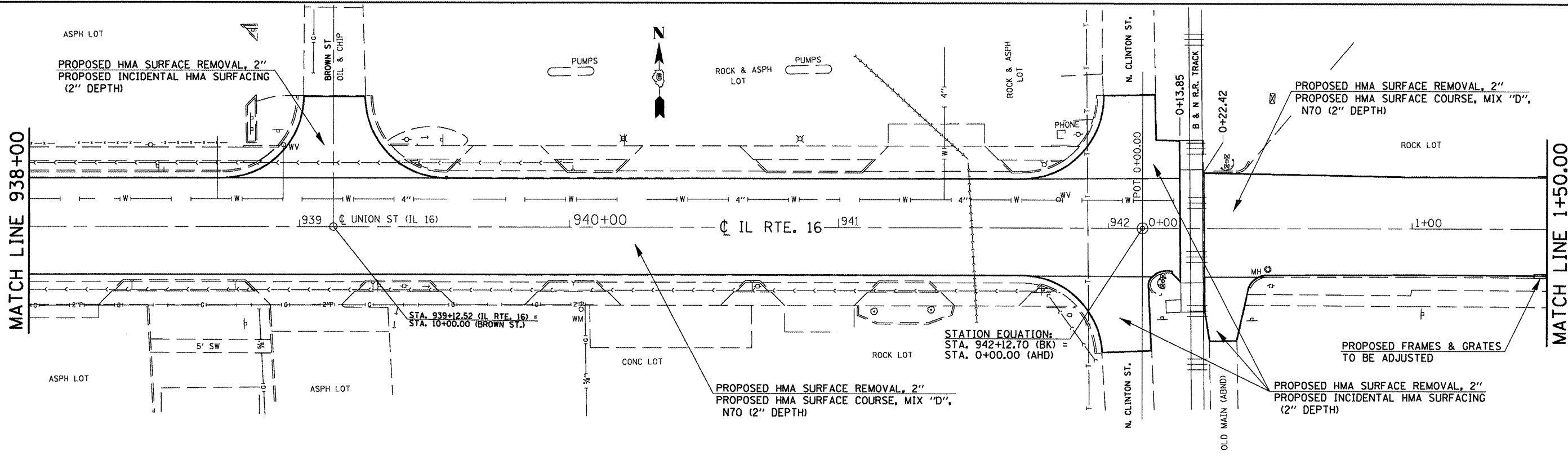
PROPOSED HMA SURFACE REMOVAL, 2"
 PROPOSED HMA SURFACE COURSE, MIX "D",
 N70 (2" DEPTH)

NOTE:
 THE PROPOSED PAVEMENT STRIPING IS NOT SHOWN
 ON THIS PLAN SHEET. SEE PAVEMENT MARKING SHEETS
 AND SCHEDULES FOR PROPOSED STRIPING LOCATIONS.

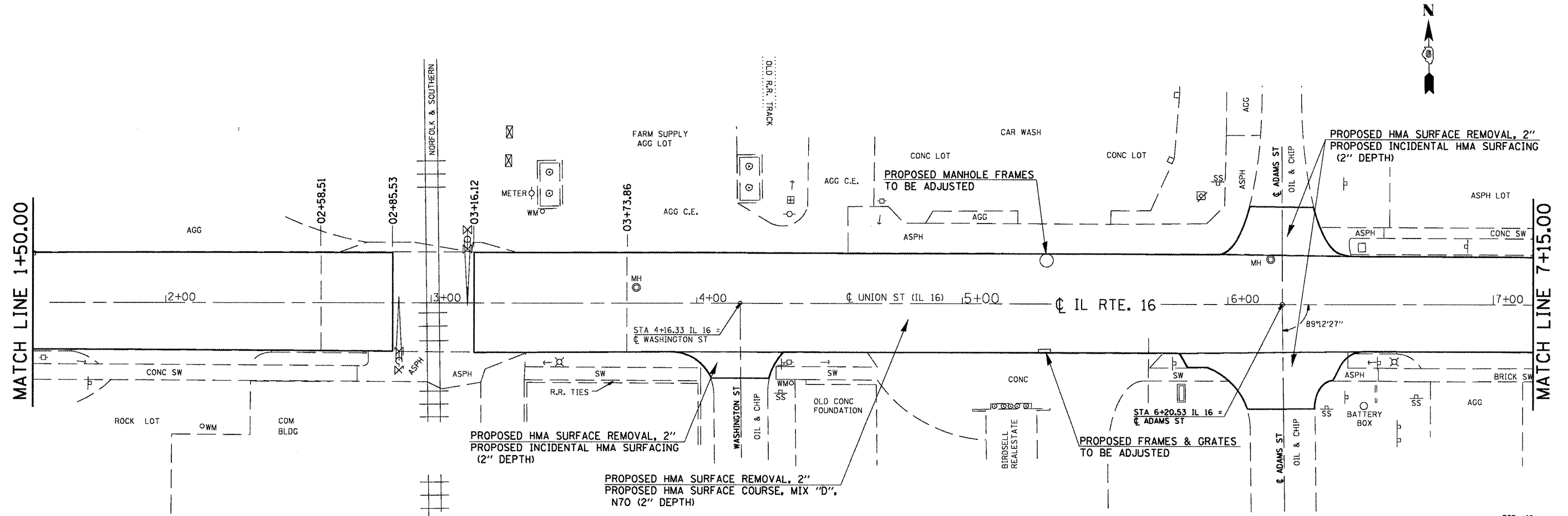


TOTAL AREA, THIS SHEET = 4,970 SQ YD

FILE NAME =	USER NAME = sparksgw	DESIGNED - RTS	REVISED -	STATE OF ILLINOIS DEPARTMENT OF TRANSPORTATION	PLAN SHEET (LITCHFIELD)	F.A.P. RTE.	SECTION	COUNTY	TOTAL SHEETS	SHEET NO.	
ca:\pwwork\pwwork\sparksgw\0222005\0672067-ah-plot.dgn	PLLOT SCALE = 48.0000' / in.	DRAWN - RTS	REVISED -			•	•	MONTGOMERY	80	37	
PLLOT DATE = Aug-25-2011 10:16:01AM	DATE = 06-15-11	CHECKED -	REVISED -			CONTRACT NO. 72D67					
		DATE = 06-15-11	REVISED -			FED. ROAD DIST. NO. ILLINOIS FED. AID PROJECT					

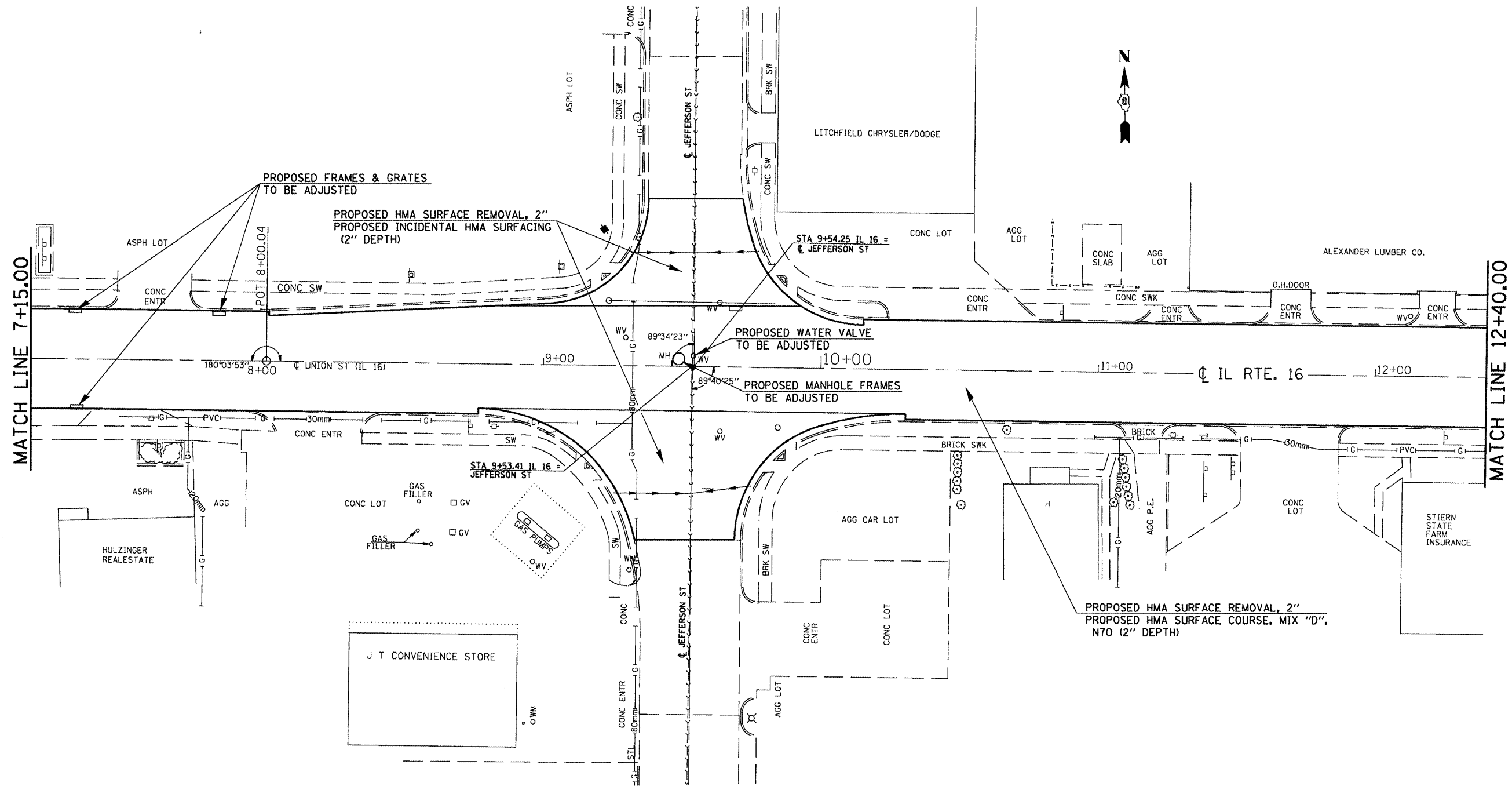


NOTE:
 THE PROPOSED PAVEMENT STRIPING IS NOT SHOWN
 ON THIS PLAN SHEET. SEE PAVEMENT MARKING SHEETS
 AND SCHEDULES FOR PROPOSED STRIPING LOCATIONS.



FILE NAME =	USER NAME = sparkgw	DESIGNED - RTS	REVISED -	STATE OF ILLINOIS DEPARTMENT OF TRANSPORTATION	PLAN SHEET (LITCHFIELD)	F.A.P. RTE.	SECTION	COUNTY	TOTAL SHEETS	SHEET NO.	
ca:\pwork\pwork\sparkgw\d0222005\0672067-ah-plant.dgn	PLOT SCALE = 40.0000' / in.	DRAWN - RTS	REVISED -			•	•	MONTGOMERY	80	38	
	PLOT DATE = Aug-25-2011 10:16:01AM	CHECKED -	REVISED -			FED. ROAD DIST. NO.	ILLINOIS FED. AID PROJECT	CONTRACT NO. 72D67			
		DATE - 06-15-11	REVISED -			SCALE:	SHEET NO. 3 OF 5 SHEETS	STA.	TO STA.		

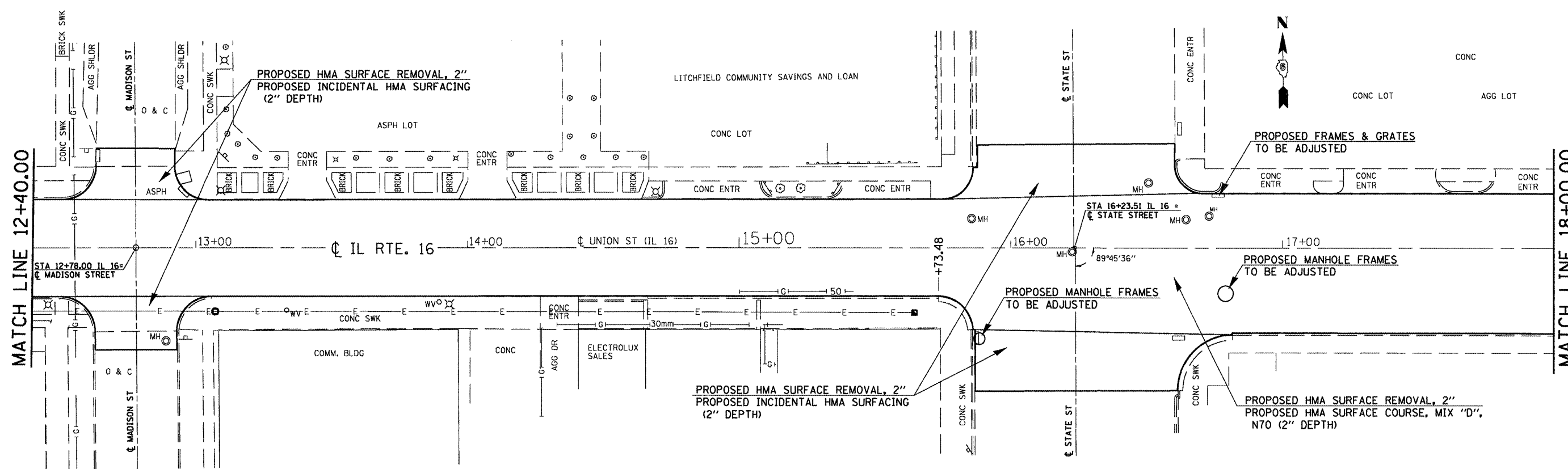
-- 325, 42
 -- (15, 2)RS-7, 22RS-4, 24RS-8



NOTE:
 THE PROPOSED PAVEMENT STRIPING IS NOT SHOWN
 ON THIS PLAN SHEET. SEE PAVEMENT MARKING SHEETS
 AND SCHEDULES FOR PROPOSED STRIPING LOCATIONS.

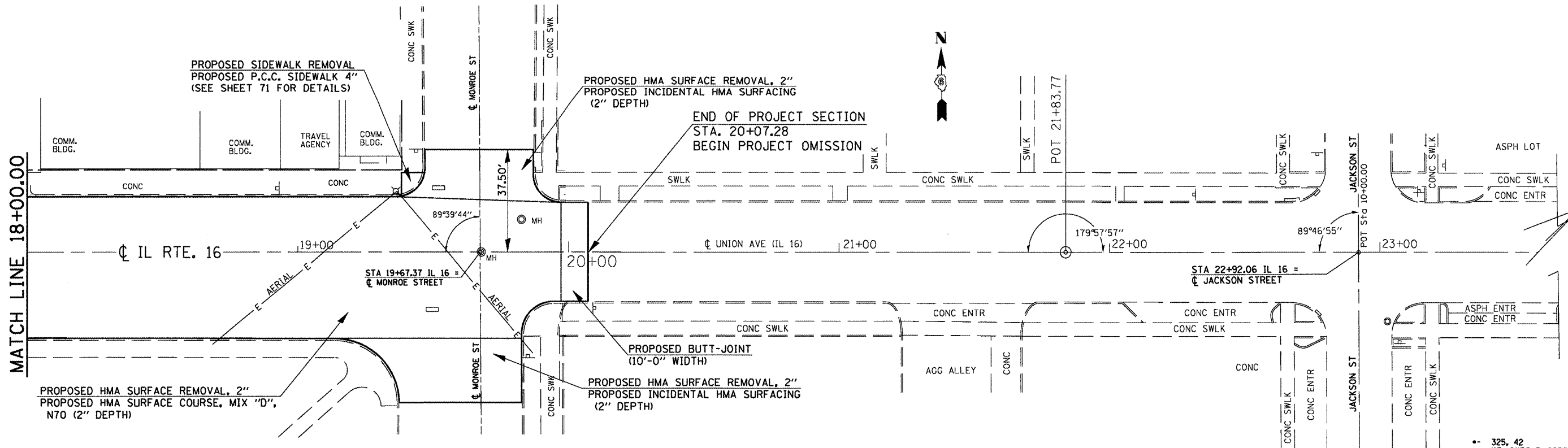
-- 325, 42
 ** (15, 21)RS-7, 22RS-4, 24RS-8

FILE NAME = c:\pwork\pwork\sparkgw\d0222005\067	USER NAME = sparkgw 2067-ah-plant.dgn	DESIGNED - RTS	REVISED -	STATE OF ILLINOIS DEPARTMENT OF TRANSPORTATION	PLAN SHEET (LITCHFIELD)	F.A.P. RTE.	SECTION	COUNTY	TOTAL SHEETS	SHEET NO.	
		DRAWN - RTS	REVISED -			•	••	MONTGOMERY	80	39	
		CHECKED -	REVISED -			CONTRACT NO. 72067					
		DATE - 06-15-11	REVISED -			SCALE:	SHEET NO. 4 OF 5 SHEETS	STA.	TO STA.	FED. ROAD DIST. NO. ILLINOIS FED. AID PROJECT	



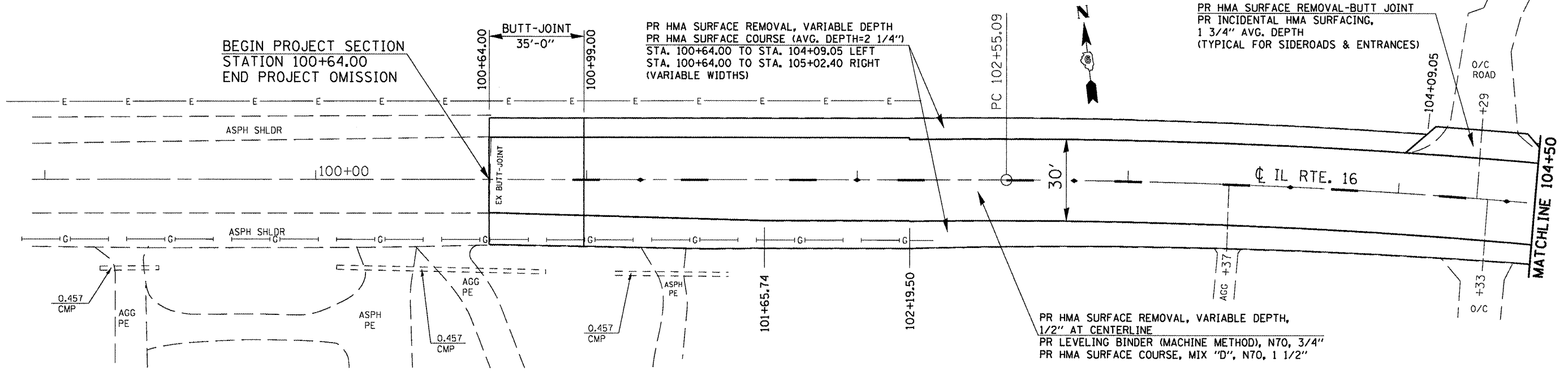
NOTES:
 THE PROPOSED PAVEMENT STRIPING IS NOT SHOWN ON THIS PLAN SHEET. SEE PAVEMENT MARKING SHEETS AND SCHEDULES FOR PROPOSED STRIPING LOCATIONS.

TOTAL PARKING LANE AREA ALONG THE SOUTH SIDE OF IL RTE. 16, BETWEEN STATE ST. AND MONROE ST. = 327 SQ. YD.



FILE NAME =	USER NAME = sparkgw	DESIGNED - RTS	REVISED -	STATE OF ILLINOIS DEPARTMENT OF TRANSPORTATION	PLAN SHEET (LITCHFIELD)	F.A.P. RTE.	SECTION	COUNTY	TOTAL SHEETS	SHEET NO.	
o:\pwork\pwork\sparkgw\d0222005\0672067-ah-plant.dgn	PLT SCALE = 48.0000' / in.	DRAWN - RTS	REVISED -			•	•	MONTGOMERY	80	40	
PLDT DATE = Aug-25-2011 10:16:02AM	DATE = 06-15-11	CHECKED -	REVISED -			CONTRACT NO. 72D67		ILLINOIS FED. AID PROJECT			
		DATE = 06-15-11	REVISED -			SCALE: 1" = 40'	SHEET NO. 5 OF 5 SHEETS	STA.	TO STA.		

-- 325, 42
 --- (15, 21)RS-7, 22RS-4, 24RS-8



PR HMA SURFACE REMOVAL-BUTT JOINT
 PR INCIDENTAL HMA SURFACING,
 1 3/4" AVG. DEPTH
 (TYPICAL FOR SIDEROADS & ENTRANCES)

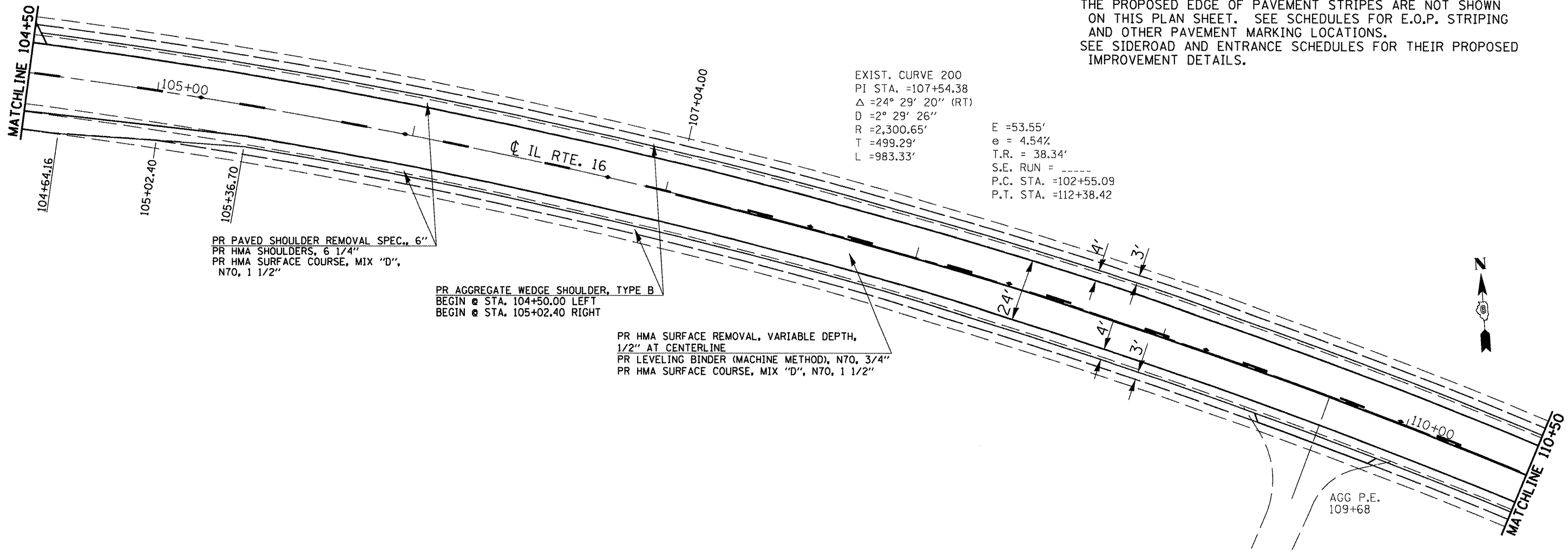
PR HMA SURFACE REMOVAL, VARIABLE DEPTH
 PR HMA SURFACE COURSE (AVG. DEPTH=2 1/4")
 STA. 100+64.00 TO STA. 104+09.05 LEFT
 STA. 100+64.00 TO STA. 105+02.40 RIGHT
 (VARIABLE WIDTHS)

BEGIN PROJECT SECTION
 STATION 100+64.00
 END PROJECT OMISSION

PR HMA SURFACE REMOVAL, VARIABLE DEPTH,
 1/2" AT CENTERLINE
 PR LEVELING BINDER (MACHINE METHOD), N70, 3/4"
 PR HMA SURFACE COURSE, MIX "D", N70, 1 1/2"

NOTES:
 THE PROPOSED EDGE OF PAVEMENT STRIPES ARE NOT SHOWN
 ON THIS PLAN SHEET. SEE SCHEDULES FOR E.O.P. STRIPING
 AND OTHER PAVEMENT MARKING LOCATIONS.
 SEE SIDEROAD AND ENTRANCE SCHEDULES FOR THEIR PROPOSED
 IMPROVEMENT DETAILS.

EXIST. CURVE 200
 PI STA. =107+54.38
 $\Delta = 24^\circ 29' 20''$ (RT)
 $D = 2^\circ 29' 26''$
 $R = 2,300.65'$
 $T = 499.29'$
 $L = 983.33'$
 $E = 53.55'$
 $e = 4.54\%$
 $T.R. = 38.34'$
 $S.E. RUN =$
 $P.C. STA. = 102+55.09$
 $P.T. STA. = 112+38.42$



PR PAVED SHOULDER REMOVAL SPEC., 6"
 PR HMA SHOULDERS, 6 1/4"
 PR HMA SURFACE COURSE, MIX "D",
 N70, 1 1/2"

PR AGGREGATE WEDGE SHOULDER, TYPE B
 BEGIN @ STA. 104+50.00 LEFT
 BEGIN @ STA. 105+02.40 RIGHT

PR HMA SURFACE REMOVAL, VARIABLE DEPTH,
 1/2" AT CENTERLINE
 PR LEVELING BINDER (MACHINE METHOD), N70, 3/4"
 PR HMA SURFACE COURSE, MIX "D", N70, 1 1/2"

-- 325, 42
 -- (15, 21RS-7, 22RS-4, 24RS-8)

FILE NAME =	USER NAME = sparksgw	DESIGNED - RTS	REVISED -	STATE OF ILLINOIS DEPARTMENT OF TRANSPORTATION	PLAN SHEET (RURAL)			F.A.P. RTE.	SECTION	COUNTY	TOTAL SHEETS	SHEET NO.
c:\pwork\pedit\sparksgw\0222005\0672067-ah-1-plan.dgn	PLT SCALE = 48.0000' / in.	DRAWN - RTS	REVISED -		SCALE:	SHEET NO. 1 OF 15 SHEETS	STA.	TO STA.	MONTGOMERY	80	41	
PLT DATE = Aug-25-2011 10:16:03AM	DATE - 06-15-11	CHECKED -	REVISED -		CONTRACT NO. 72D67							
		DATE - 06-15-11	REVISED -		FED. ROAD DIST. NO. (ILLINOIS) FED. AID PROJECT							

MATCHLINE 110+50

MATCHLINE 116+25

PR PAVED SHOULDER REMOVAL SPEC., 6"
PR HMA SHOULDERS, 6 1/4"
PR HMA SURFACE COURSE, MIX "D",
N70, 1 1/2"

PR HMA SURFACE REMOVAL, VARIABLE DEPTH,
1/2" AT CENTERLINE
PR LEVELING BINDER (MACHINE METHOD), N70, 3/4"
PR HMA SURFACE COURSE, MIX "D", N70, 1 1/2"

PR AGGREGATE WEDGE
SHOULDER, TYPE B

NOTES:
THE PROPOSED EDGE OF PAVEMENT STRIPES ARE NOT SHOWN
ON THIS PLAN SHEET. SEE SCHEDULES FOR E.O.P. STRIPING
AND OTHER PAVEMENT MARKING LOCATIONS.
SEE SIDEROAD AND ENTRANCE SCHEDULES FOR THEIR PROPOSED
IMPROVEMENT DETAILS.

MATCHLINE 116+25

MATCHLINE 121+75

PR PAVED SHOULDER REMOVAL SPEC., 6"
PR HMA SHOULDERS, 6 1/4"
PR HMA SURFACE COURSE, MIX "D",
N70, 1 1/2"

PR HMA SURFACE REMOVAL, VARIABLE DEPTH,
1/2" AT CENTERLINE
PR LEVELING BINDER (MACHINE METHOD), N70, 3/4"
PR HMA SURFACE COURSE, MIX "D", N70, 1 1/2"

PR AGGREGATE WEDGE
SHOULDER, TYPE B

MATCHLINE 121+75

MATCHLINE 127+25

PR HMA SURFACE REMOVAL, VARIABLE DEPTH,
1/2" AT CENTERLINE
PR LEVELING BINDER (MACHINE METHOD), N70, 3/4"
PR HMA SURFACE COURSE, MIX "D", N70, 1 1/2"

PR HMA SURFACE REMOVAL-BUTT JOINT
PR INCIDENTAL HMA SURFACING,
1 3/4" AVG. DEPTH
(TYPICAL FOR SIDEROADS & ENTRANCES)

EXIST. CURVE201 E =130.56'
PI STA. =123+01.16 e =
Δ =37° 49' 06" (LT) T.R. =
D =2° 30' 12" S.E. RUN =
R =2,288.71' P.C. STA. =115+17.16
T =784.01' P.T. STA. =130+27.83
L =1,510.67'

LITCHFIELD
QUARRY RD.
122+32

PR PAVED SHOULDER REMOVAL SPEC., 6"
PR HMA SHOULDERS, 6 1/4"
PR HMA SURFACE COURSE, MIX "D",
N70, 1 1/2"

PR AGGREGATE WEDGE
SHOULDER, TYPE B

MAILBOX
TURNOUT

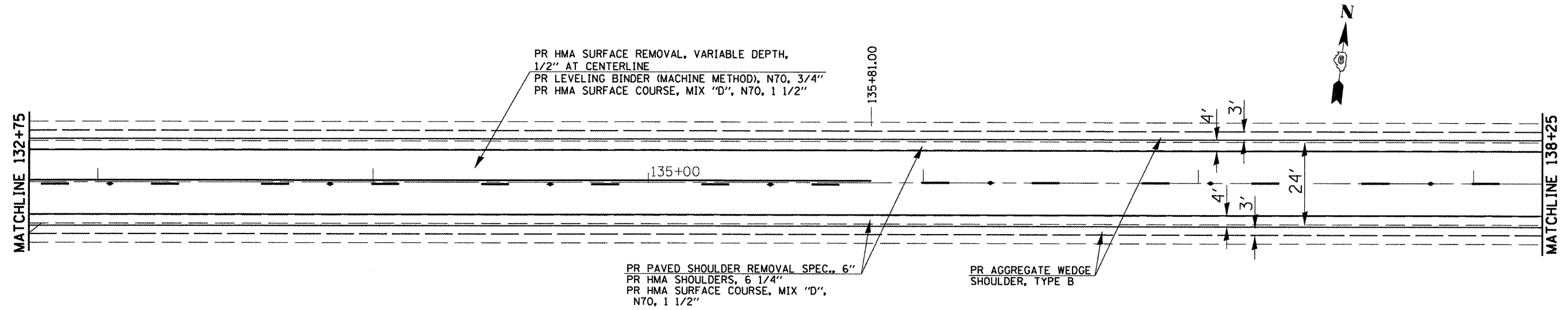
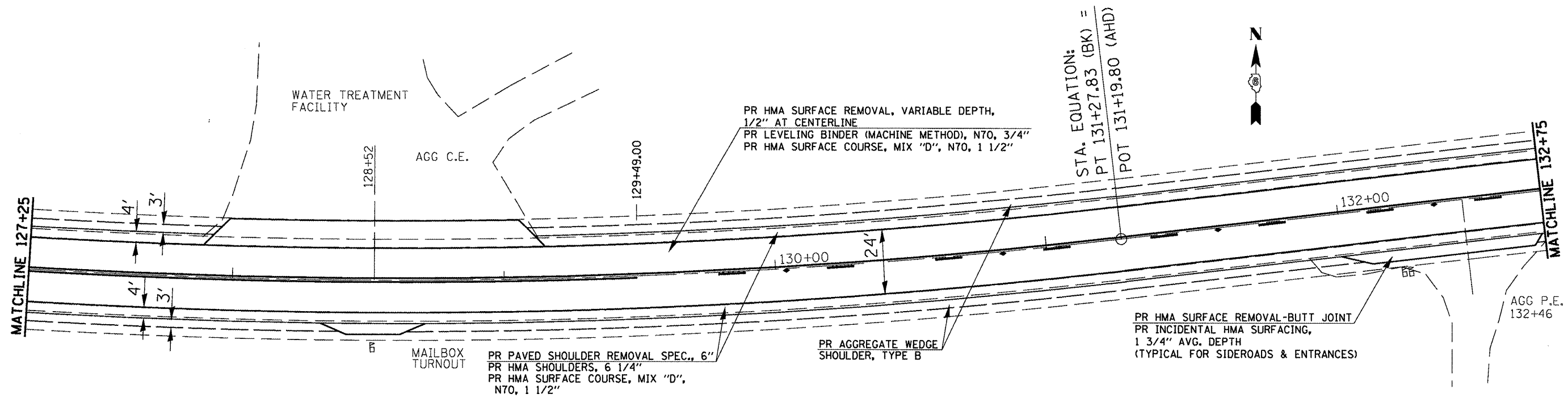
-- 325, 42
-- (15, 21)RS-7, 22RS-4, 24RS-8

FILE NAME =	USER NAME = sparkgw	DESIGNED - RTS	REVISED -
e:\pwork\puidot\sparkgw\d0222005\0672067-sht-plan.dgn		DRAWN - RTS	REVISED -
PLOT SCALE = 48.0000' / in.		CHECKED -	REVISED -
PLOT DATE = Aug-25-2011 10:16:03AM		DATE - 06-15-11	REVISED -

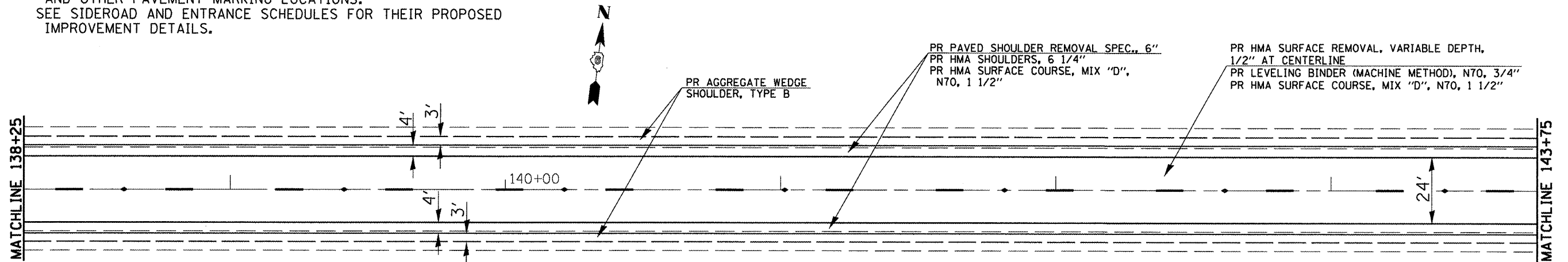
**STATE OF ILLINOIS
DEPARTMENT OF TRANSPORTATION**

PLAN SHEET (RURAL)	
SCALE:	STA. TO STA.
SHEET NO. 2 OF 15 SHEETS	

F.A.P. RTE.	SECTION	COUNTY	TOTAL SHEETS	SHEET NO.
.	**	MONTGOMERY	80	42
CONTRACT NO. 72D67				
FED. ROAD DIST. NO. ILLINOIS FED. AID PROJECT				

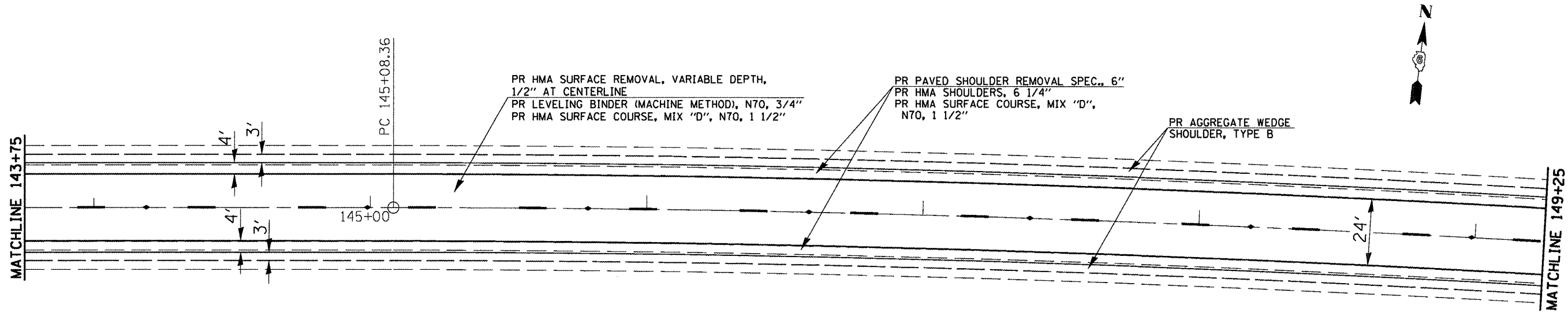


NOTES:
THE PROPOSED EDGE OF PAVEMENT STRIPES ARE NOT SHOWN ON THIS PLAN SHEET. SEE SCHEDULES FOR E.O.P. STRIPING AND OTHER PAVEMENT MARKING LOCATIONS. SEE SIDEROAD AND ENTRANCE SCHEDULES FOR THEIR PROPOSED IMPROVEMENT DETAILS.

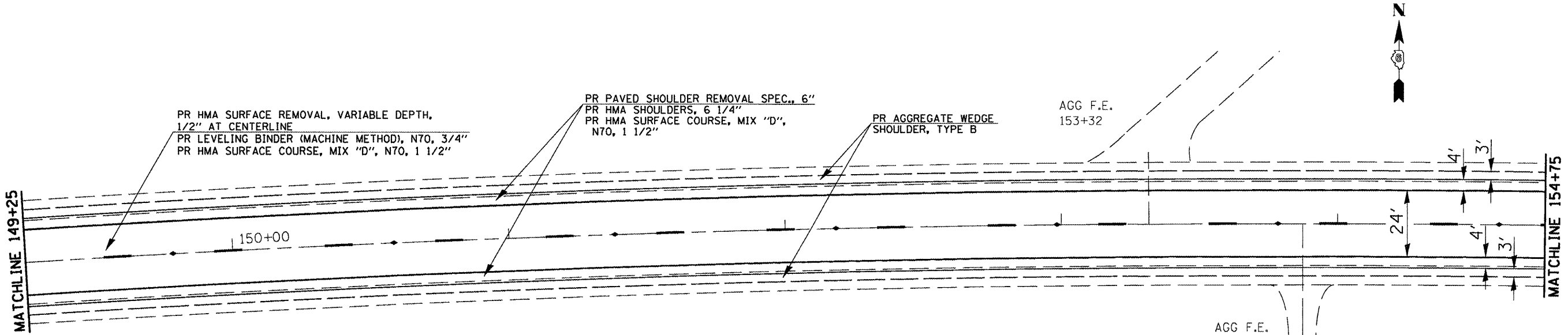


FILE NAME =	USER NAME = sparkagr	DESIGNED - RTS	REVISED -	STATE OF ILLINOIS DEPARTMENT OF TRANSPORTATION	PLAN SHEET (RURAL)		F.A.P. RTE.	SECTION	COUNTY	TOTAL SHEETS	SHEET NO.
o:\pw\work\p\idot\sparkagr\0222805\0672067-ah-plan.dgn	PLOT SCALE = 48,0000' / in.	DRAWN - RTS	REVISED -		SCALE:	SHEET NO. 3 OF 15 SHEETS	STA.	TO STA.	MONTGOMERY	80	43
PLOT DATE = Aug-25-2011 10:16:03AM	DATE - 06-15-11	CHECKED -	REVISED -		FED. ROAD DIST. NO.	ILLINOIS FED. AID PROJECT			CONTRACT NO. 72D67		
			REVISED -								

-- 325, 42
-- (15, 21)RS-7, 22RS-4, 24RS-8



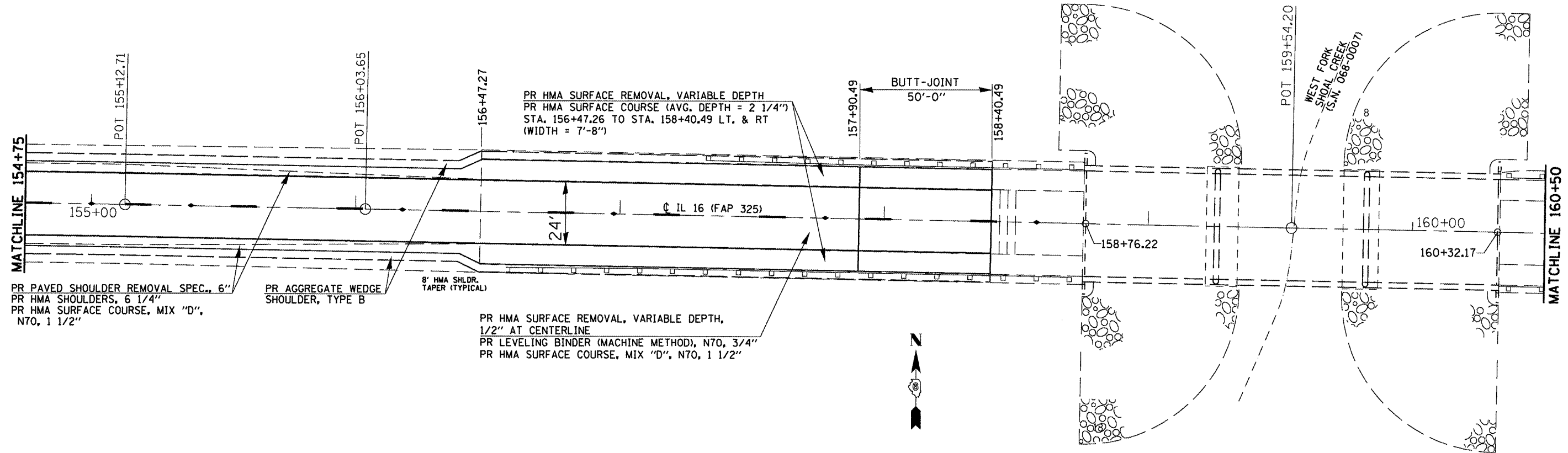
NOTES:
 THE PROPOSED EDGE OF PAVEMENT STRIPES ARE NOT SHOWN ON THIS PLAN SHEET. SEE SCHEDULES FOR E.O.P. STRIPING AND OTHER PAVEMENT MARKING LOCATIONS. SEE SIDEROAD AND ENTRANCE SCHEDULES FOR THEIR PROPOSED IMPROVEMENT DETAILS.



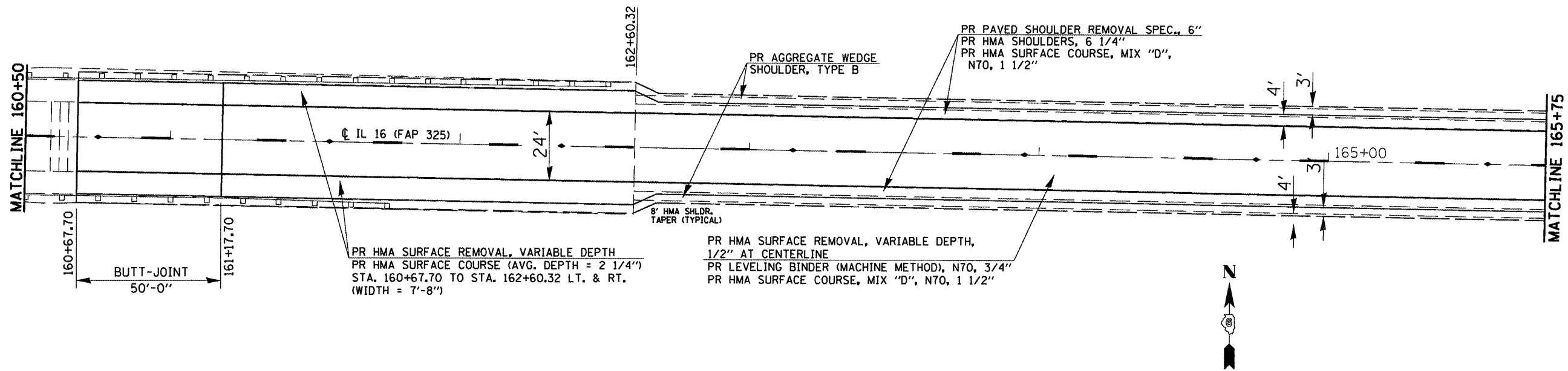
EXIST. CURVE202
 PI STA. =150+11.29
 $\Delta = 7^\circ 40' 58''$ (RT)
 $D = 0^\circ 45' 54''$
 $R = 7,490.16'$
 $T = 502.93'$
 $L = 1,004.35'$
 $E = 16.87'$
 $e =$
 $T.R. =$
 $S.E. RUN =$
 $P.C. STA. = 145+08.36$
 $P.T. STA. = 155+12.71$

-- 325, 42
 ** (15, 21)RS-7, 22RS-4, 24RS-8

FILE NAME =	USER NAME = sparkgw	DESIGNED - RTS	REVISED -	STATE OF ILLINOIS DEPARTMENT OF TRANSPORTATION	PLAN SHEET (RURAL)			F.A.P. RTE.	SECTION	COUNTY	TOTAL SHEETS	SHEET NO.	
o:\pwork\pwork\sparkgw\d02222005\0672067-ahf-pln.dgn	PLOT SCALE = 48.0000' / in.	DRAWN - RTS	REVISED -		SCALE:	SHEET NO. 4 OF 15 SHEETS	STA.	TO STA.	•	••	MONTGOMERY	80	44
	PLOT DATE = Aug-25-2011 10:16:04AM	CHECKED -	REVISED -									CONTRACT NO. 72D67	
		DATE - 06-15-11	REVISED -						FED. ROAD DIST. NO.	ILLINOIS FED. AID PROJECT			

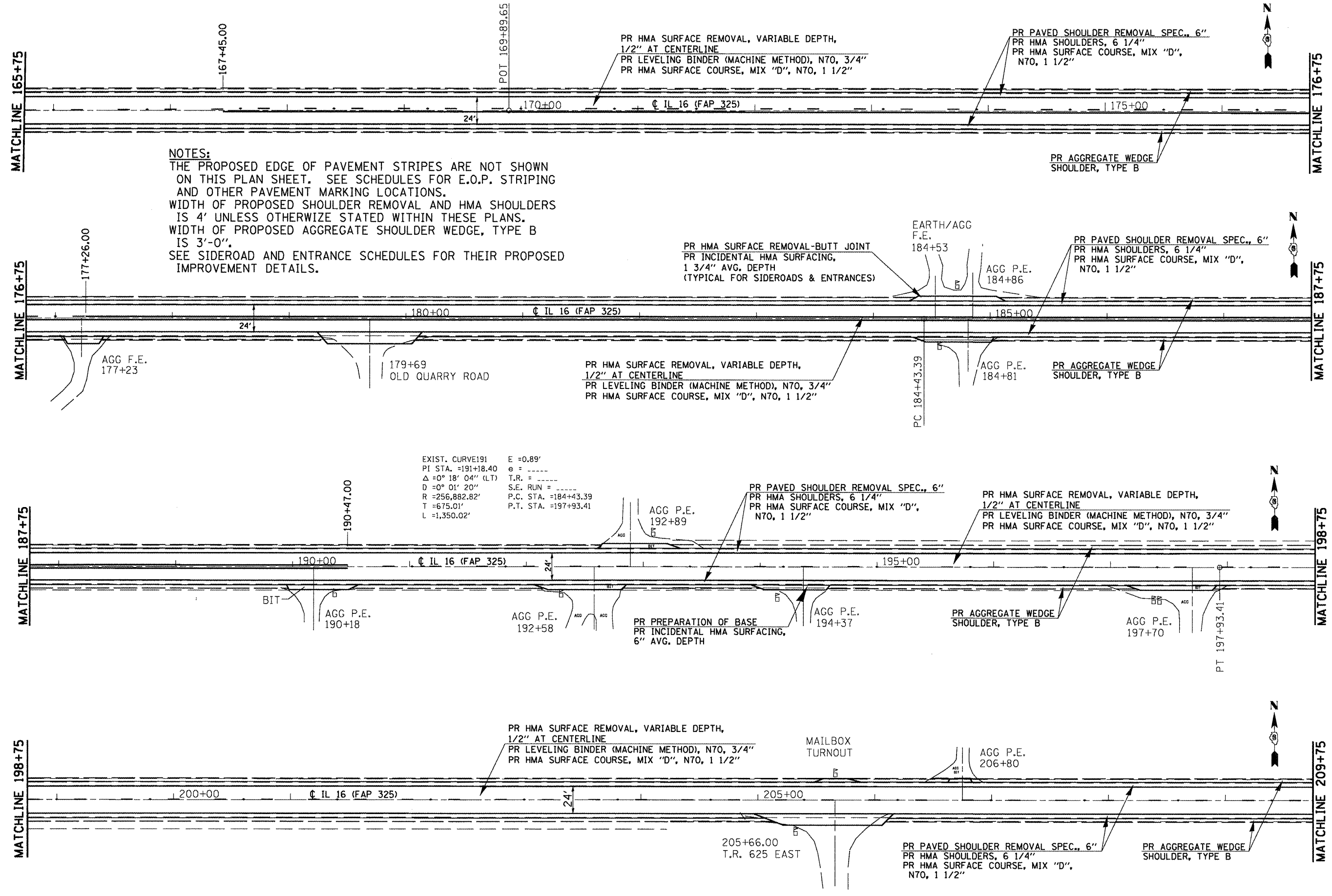


NOTES:
 THE PROPOSED EDGE OF PAVEMENT STRIPES ARE NOT SHOWN ON THIS PLAN SHEET. SEE SCHEDULES FOR E.O.P. STRIPING AND OTHER PAVEMENT MARKING LOCATIONS. SEE SIDEROAD AND ENTRANCE SCHEDULES FOR THEIR PROPOSED IMPROVEMENT DETAILS.



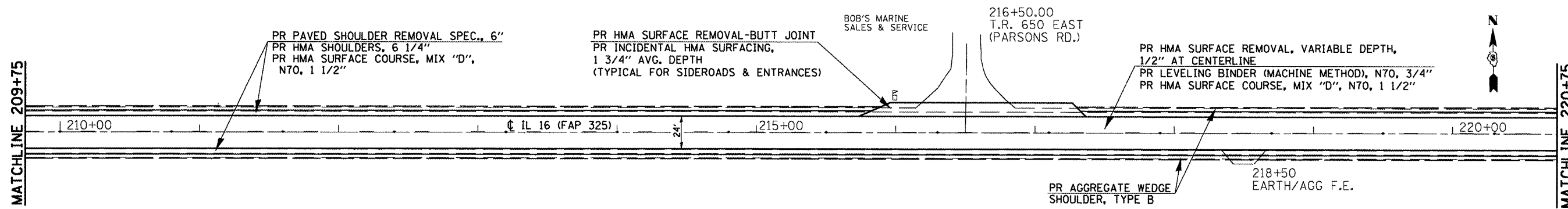
325, 42
 (15, 21)RS-7, 22RS-4, 24RS-8

FILE NAME =	USER NAME = sparkgw	DESIGNED - RTS	REVISED -	STATE OF ILLINOIS DEPARTMENT OF TRANSPORTATION	PLAN SHEET (RURAL)		F.A.P. RTE.	SECTION	COUNTY	TOTAL SHEETS	SHEET NO.
c:\pw\work\pawidot\sparkgw\d0222005\0672067-ah-t-plan.dgn	PLLOT SCALE = 40.0000' / in.	DRAWN - RTS	REVISED -		SCALE:	SHEET NO. 5 OF 15 SHEETS	STA.	TO STA.	MONTGOMERY	80	45
PLLOT DATE = Aug-25-2011 10:16:04AM	DATE - 06-15-11	CHECKED -	REVISED -		CONTRACT NO. 72D67						
		DATE - 06-15-11	REVISED -		FED. ROAD DIST. NO. (ILLINOIS) FED. AID PROJECT						

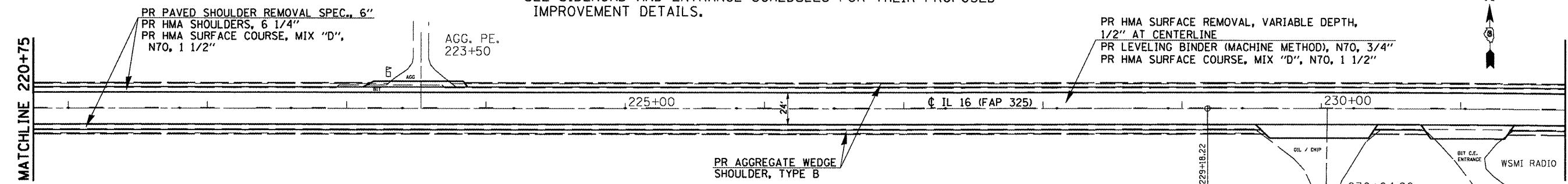


FILE NAME =	USER NAME = sparkgw	DESIGNED - RTS	REVISED -	STATE OF ILLINOIS DEPARTMENT OF TRANSPORTATION	PLAN SHEET (RURAL)	F.A.P. RTE.	SECTION	COUNTY	TOTAL SHEETS	SHEET NO.	
o:\pwork\pilot\sparkgw\d0222005\0672067-ah-1-plan.dgn	PLOT SCALE = 48,0000' / in.	DRAWN - RTS	REVISED -			•	**	MONTGOMERY	80	46	
	PLOT DATE = Aug-25-2011 10:16:05AM	CHECKED -	REVISED -			CONTRACT NO. 72D67					
		DATE - 06-15-11	REVISED -			FED. ROAD DIST. NO. [ILLINOIS] FED. AID PROJECT					

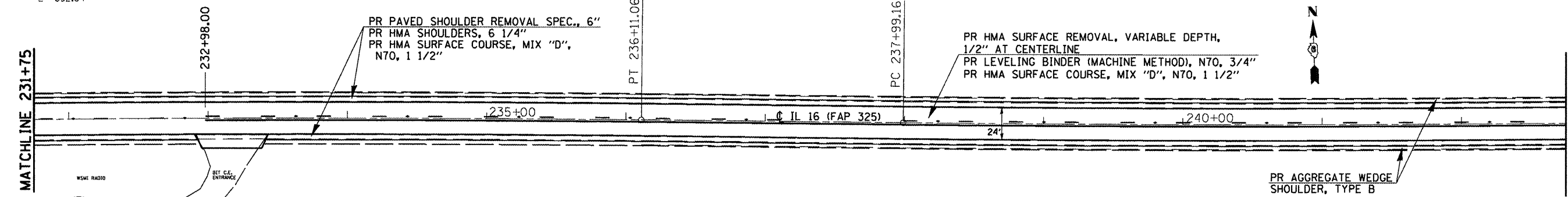
-- 325, 42
 ** (15, 21)RS-7, 22RS-4, 24RS-8



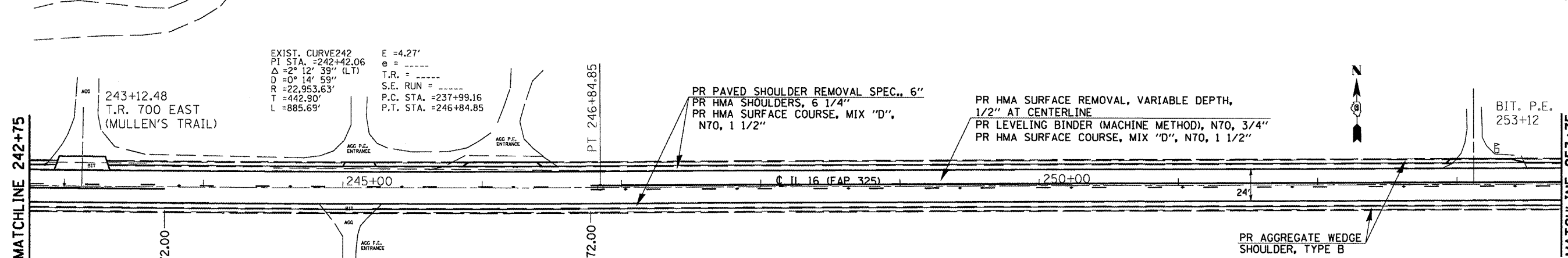
NOTES:
 THE PROPOSED EDGE OF PAVEMENT STRIPES ARE NOT SHOWN ON THIS PLAN SHEET. SEE SCHEDULES FOR E.O.P. STRIPING AND OTHER PAVEMENT MARKING LOCATIONS.
 WIDTH OF PROPOSED SHOULDER REMOVAL AND HMA SHOULDERS IS 4' UNLESS OTHERWISE STATED WITHIN THESE PLANS.
 WIDTH OF PROPOSED AGGREGATE SHOULDER WEDGE, TYPE B IS 3'-0\"/>



EXIST. CURVE 232
 PI STA. = 232+64.67
 Δ = 1° 49' 00" (RT)
 D = 0° 15' 44"
 R = 21,851.52'
 T = 346.45'
 L = 692.84'
 E = 2.75'
 T.R. =
 S.E. RUN =
 P.C. STA. = 229+18.22
 P.T. STA. = 236+11.06



EXIST. CURVE 242
 PI STA. = 242+42.06
 Δ = 2° 12' 39" (LT)
 D = 0° 14' 59"
 R = 22,953.63'
 T = 442.90'
 L = 885.69'
 E = 4.27'
 T.R. =
 S.E. RUN =
 P.C. STA. = 237+99.16
 P.T. STA. = 246+84.85



FILE NAME =	USER NAME = sparkgw	DESIGNED - RTS	REVISED -	STATE OF ILLINOIS DEPARTMENT OF TRANSPORTATION	PLAN SHEET (RURAL)			F.A.P. RTE.	SECTION	COUNTY	TOTAL SHEETS	SHEET NO.
o:\pw\work\p\dot\sparkgw\d0222005\0672067-sht-plan.dgn	2067-sht-plan.dgn	DRAWN - RTS	REVISED -		SCALE:	SHEET NO. 7 OF 15 SHEETS	STA.	TO STA.	MONTGOMERY	80	47	
PLOT SCALE = 48.0000' / in.		CHECKED -	REVISED -									CONTRACT NO. 72D67
PLOT DATE = Aug-25-2011 10:16:05AM		DATE - 06-15-11	REVISED -						FED. ROAD DIST. NO.	ILLINOIS FED. AID PROJECT		

-- 325, 42
 --- (15, 21)RS-7, 22RS-4, 24RS-8

MATCHLINE 253+75

MATCHLINE 264+75

MATCHLINE 275+75

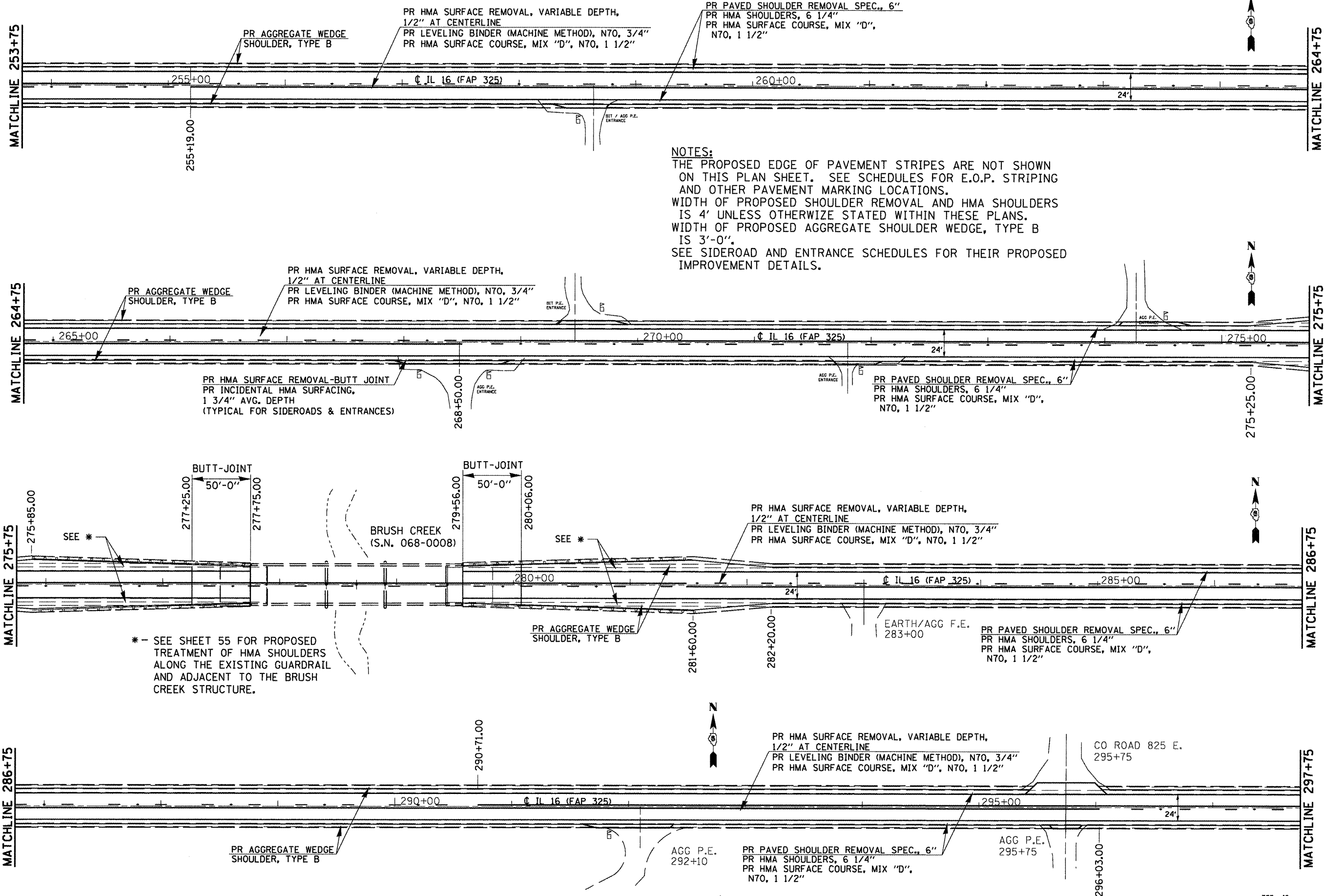
MATCHLINE 286+75

MATCHLINE 264+75

MATCHLINE 275+75

MATCHLINE 286+75

MATCHLINE 297+75

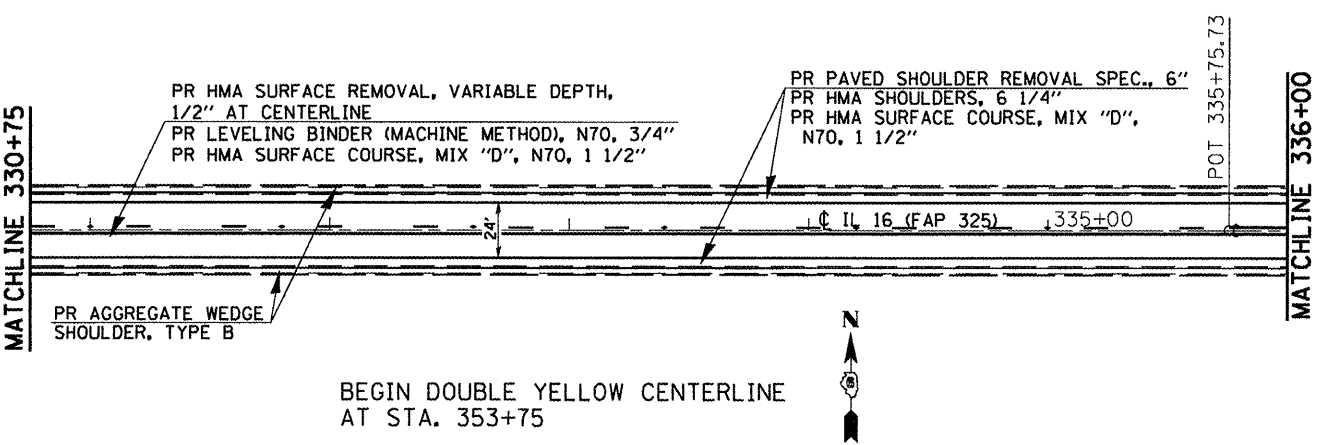
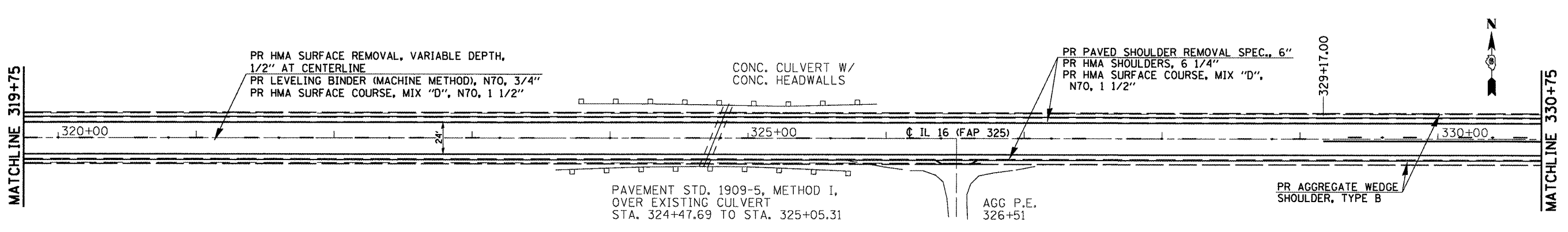
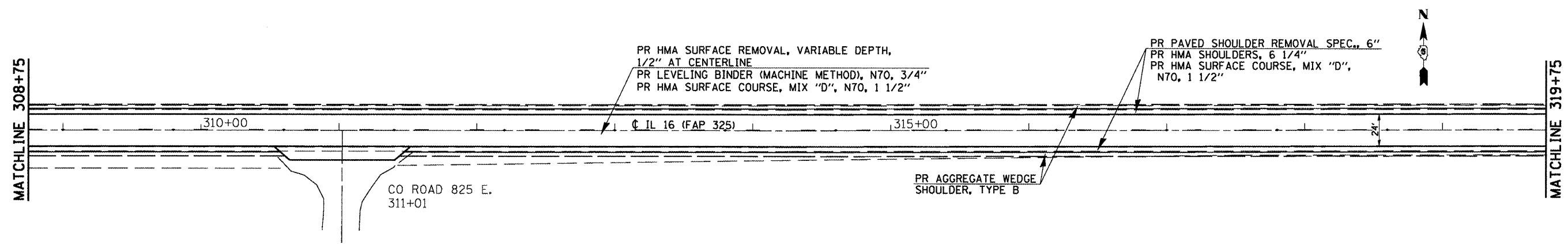
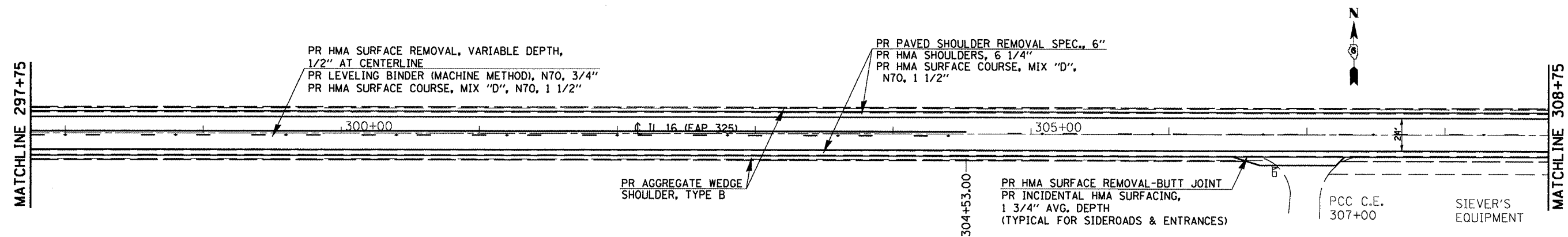


NOTES:
 THE PROPOSED EDGE OF PAVEMENT STRIPES ARE NOT SHOWN ON THIS PLAN SHEET. SEE SCHEDULES FOR E.O.P. STRIPING AND OTHER PAVEMENT MARKING LOCATIONS.
 WIDTH OF PROPOSED SHOULDER REMOVAL AND HMA SHOULDERS IS 4' UNLESS OTHERWISE STATED WITHIN THESE PLANS.
 WIDTH OF PROPOSED AGGREGATE SHOULDER WEDGE, TYPE B IS 3'-0".
 SEE SIDEROAD AND ENTRANCE SCHEDULES FOR THEIR PROPOSED IMPROVEMENT DETAILS.

* - SEE SHEET 55 FOR PROPOSED TREATMENT OF HMA SHOULDERS ALONG THE EXISTING GUARDRAIL AND ADJACENT TO THE BRUSH CREEK STRUCTURE.

-- 325, 42
 --- (15, 21)RS-7, 22RS-4, 24RS-8

FILE NAME =	USER NAME = sparkgw	DESIGNED - RTS	REVISED -	STATE OF ILLINOIS DEPARTMENT OF TRANSPORTATION	PLAN SHEET (RURAL)			F.A.P. RTE.	SECTION	COUNTY	TOTAL SHEETS	SHEET NO.
o:\pw\work\puidot\sparkgw\d0222005\067	2067-ah-plantdgn	DRAWN - RTS	REVISED -		SCALE:	SHEET NO. 8 OF 15 SHEETS	STA.	TO STA.	MONTGOMERY	80	48	
	PLOT SCALE = 48.0000' / in.	CHECKED -	REVISED -						CONTRACT NO. 72D67			
	PLOT DATE = Aug-25-2011 10:16:05AM	DATE - 06-15-11	REVISED -						ILLINOIS FED. AID PROJECT			

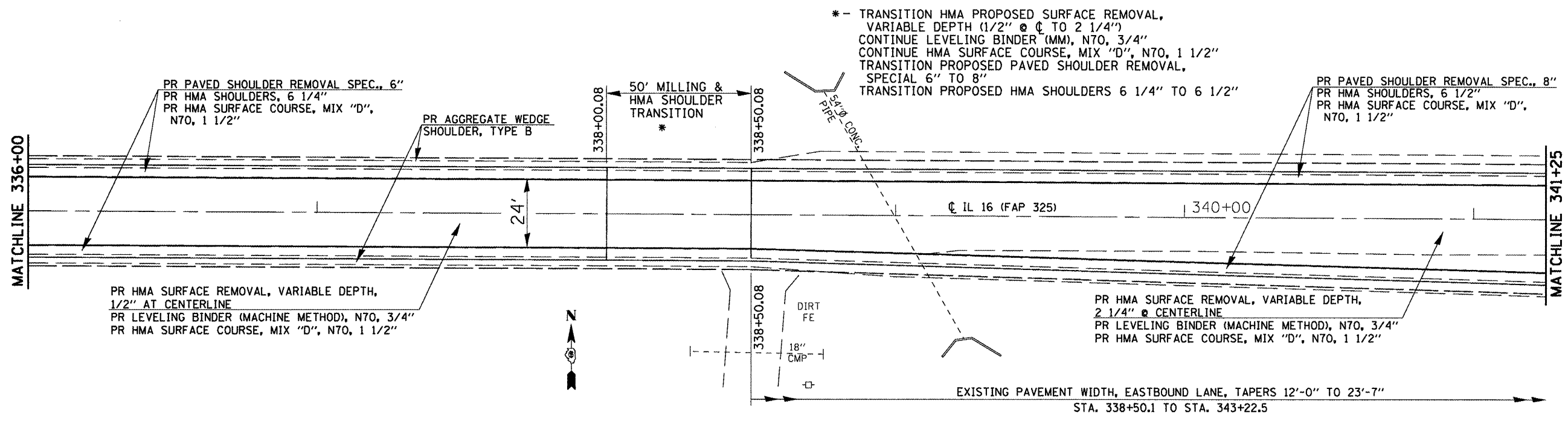


NOTES:
 THE PROPOSED EDGE OF PAVEMENT STRIPES ARE NOT SHOWN ON THIS PLAN SHEET. SEE SCHEDULES FOR E.O.P. STRIPING AND OTHER PAVEMENT MARKING LOCATIONS.
 WIDTH OF PROPOSED SHOULDER REMOVAL AND HMA SHOULDERS IS 4' UNLESS OTHERWISE STATED WITHIN THESE PLANS.
 WIDTH OF PROPOSED AGGREGATE SHOULDER WEDGE, TYPE B IS 3'-0\"/>

BEGIN DOUBLE YELLOW CENTERLINE AT STA. 353+75

FILE NAME =	USER NAME = sparksgw	DESIGNED - RTS	REVISED -	STATE OF ILLINOIS DEPARTMENT OF TRANSPORTATION	PLAN SHEET (RURAL)	F.A.P. RTE.	SECTION	COUNTY	TOTAL SHEETS	SHEET NO.	
c:\pwwork\pwwork\sparksgw\d0222005\067	DB67-shr-plan.dgn	DRAWN - RTS	REVISED -			.	**	MONTGOMERY	80	49	
	PLOT SCALE = 40.0000' / 1"	CHECKED -	REVISED -			CONTRACT NO. 72D67					
	PLOT DATE = Aug-25-2011 10:16:06AM	DATE - 06-15-11	REVISED -			FED. ROAD DIST. NO. ILLINOIS FED. AID PROJECT					

-- 325, 42
 --- (15, 21)RS-7, 22RS-4, 24RS-8



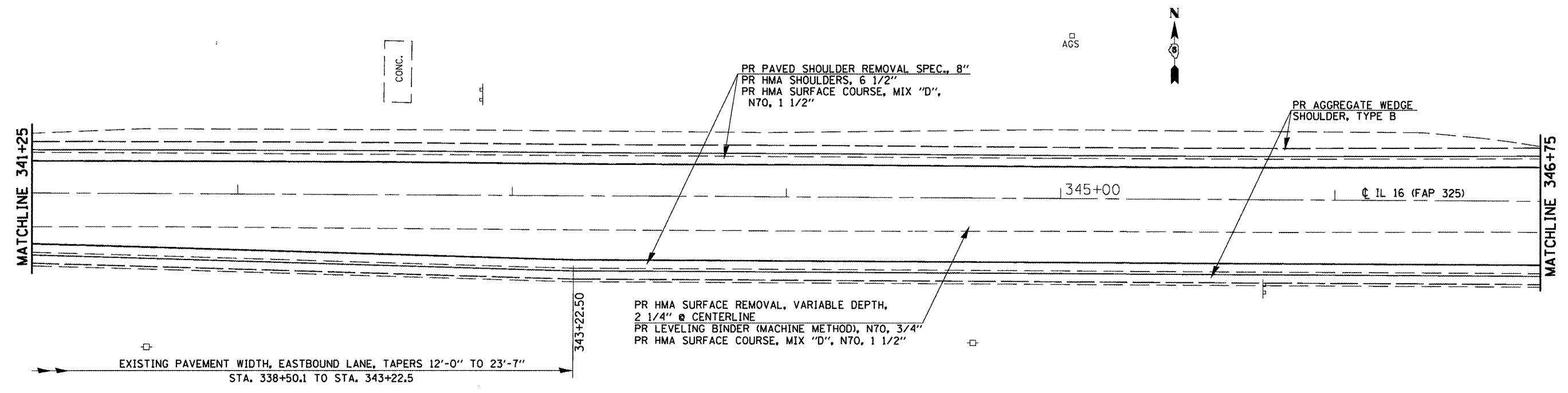
* - TRANSITION HMA PROPOSED SURFACE REMOVAL, VARIABLE DEPTH (1/2" @ ϕ TO 2 1/4")
 CONTINUE LEVELING BINDER (MM), N70, 3/4"
 CONTINUE HMA SURFACE COURSE, MIX "D", N70, 1 1/2"
 TRANSITION PROPOSED PAVED SHOULDER REMOVAL, SPECIAL 6" TO 8"
 TRANSITION PROPOSED HMA SHOULDERS 6 1/4" TO 6 1/2"

PR HMA SURFACE REMOVAL, VARIABLE DEPTH, 1/2" AT CENTERLINE
 PR LEVELING BINDER (MACHINE METHOD), N70, 3/4"
 PR HMA SURFACE COURSE, MIX "D", N70, 1 1/2"

PR HMA SURFACE REMOVAL, VARIABLE DEPTH, 2 1/4" @ CENTERLINE
 PR LEVELING BINDER (MACHINE METHOD), N70, 3/4"
 PR HMA SURFACE COURSE, MIX "D", N70, 1 1/2"

EXISTING PAVEMENT WIDTH, EASTBOUND LANE, TAPERS 12'-0" TO 23'-7"
 STA. 338+50.1 TO STA. 343+22.5

NOTES:
 THE PROPOSED PAVEMENT STRIPING IS NOT SHOWN ON THIS PLAN SHEET. SEE THE PROPOSED PAVEMENT MARKING SHEETS AND SCHEDULES FOR MARKING LOCATIONS.
 WIDTH OF PROPOSED SHOULDER REMOVAL AND HMA SHOULDERS IS 4' UNLESS OTHERWISE STATED WITHIN THESE PLANS.
 WIDTH OF PROPOSED AGGREGATE SHOULDER WEDGE, TYPE B IS 3'-0".
 SEE SIDEROAD AND ENTRANCE SCHEDULES FOR THEIR PROPOSED IMPROVEMENT DETAILS.



PR PAVED SHOULDER REMOVAL SPEC., 8"
 PR HMA SHOULDERS, 6 1/2"
 PR HMA SURFACE COURSE, MIX "D", N70, 1 1/2"

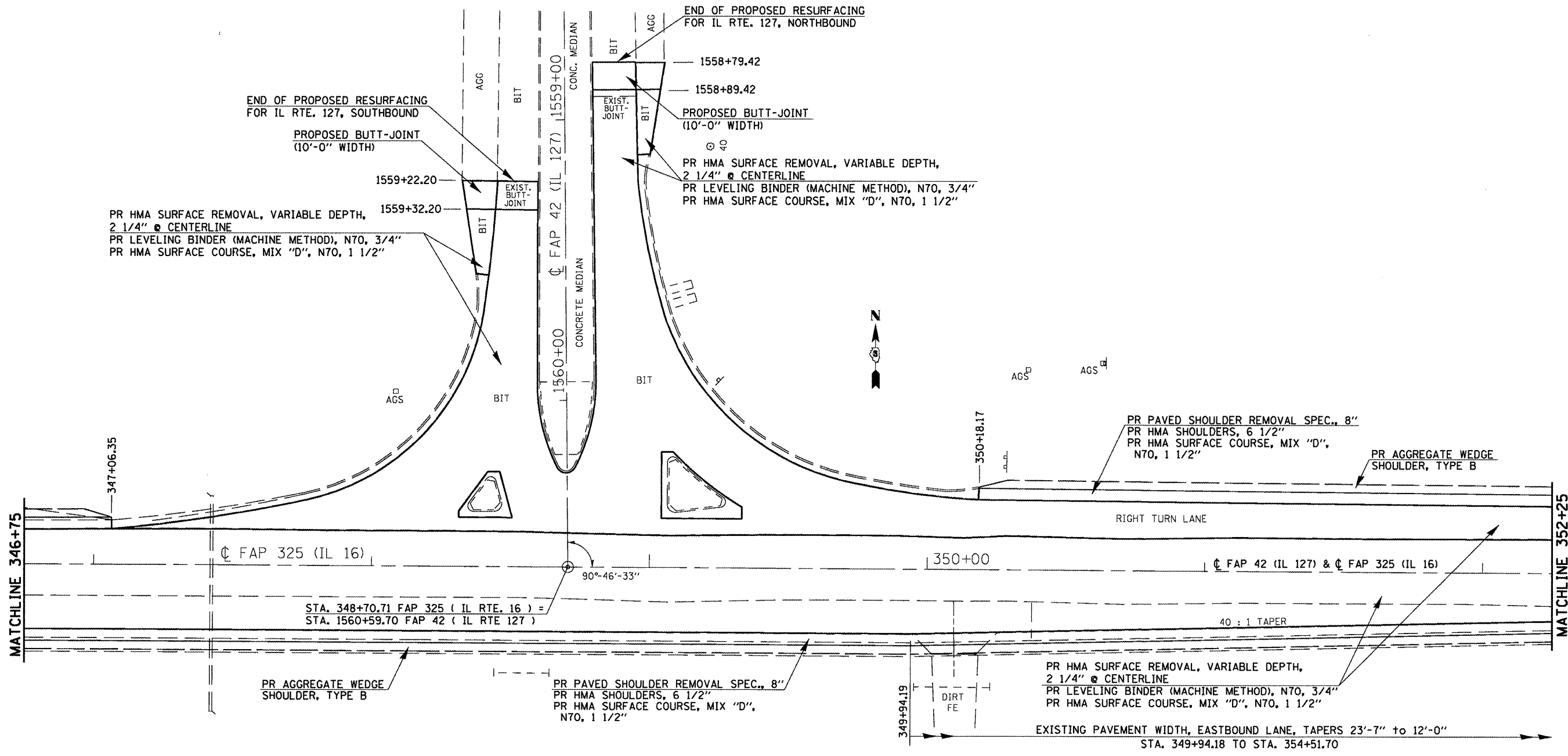
PR AGGREGATE WEDGE SHOULDER, TYPE B

PR HMA SURFACE REMOVAL, VARIABLE DEPTH, 2 1/4" @ CENTERLINE
 PR LEVELING BINDER (MACHINE METHOD), N70, 3/4"
 PR HMA SURFACE COURSE, MIX "D", N70, 1 1/2"

EXISTING PAVEMENT WIDTH, EASTBOUND LANE, TAPERS 12'-0" TO 23'-7"
 STA. 338+50.1 TO STA. 343+22.5

FILE NAME =	USER NAME = sparksgv	DESIGNED - RTS	REVISED -	STATE OF ILLINOIS DEPARTMENT OF TRANSPORTATION	PLAN SHEET (RURAL)			F.A.P. RTE.	SECTION	COUNTY	TOTAL SHEETS	SHEET NO.
c:\pr_work\pwork\sparksgv\10222005\0672067-sht-pln.dgn	PLDT SCALE = 48.0000' / in.	DRAWN - RTS	REVISED -		SCALE:	SHEET NO. 10 OF 15 SHEETS	STA.	TO STA.	MONTGOMERY	80	50	
PLDT DATE = Aug-25-2011 10:16:06AM	DATE - 06-15-11	CHECKED -	REVISED -		CONTRACT NO. 72D67							
		DATE - 06-15-11	REVISED -		FED. ROAD DIST. NO. ILLINOIS FED. AID PROJECT							

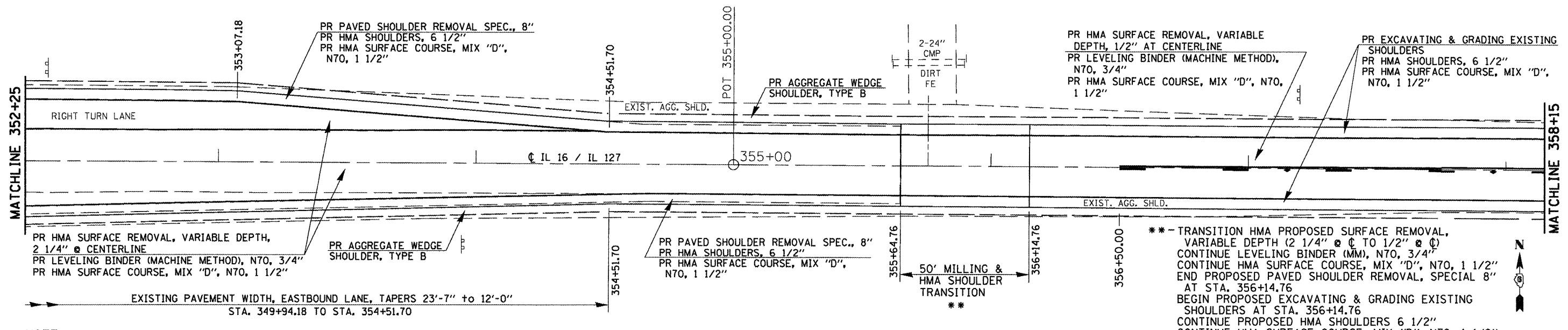
.. 325, 42
 ... (15, 21)RS-7, 22RS-4, 24RS-8



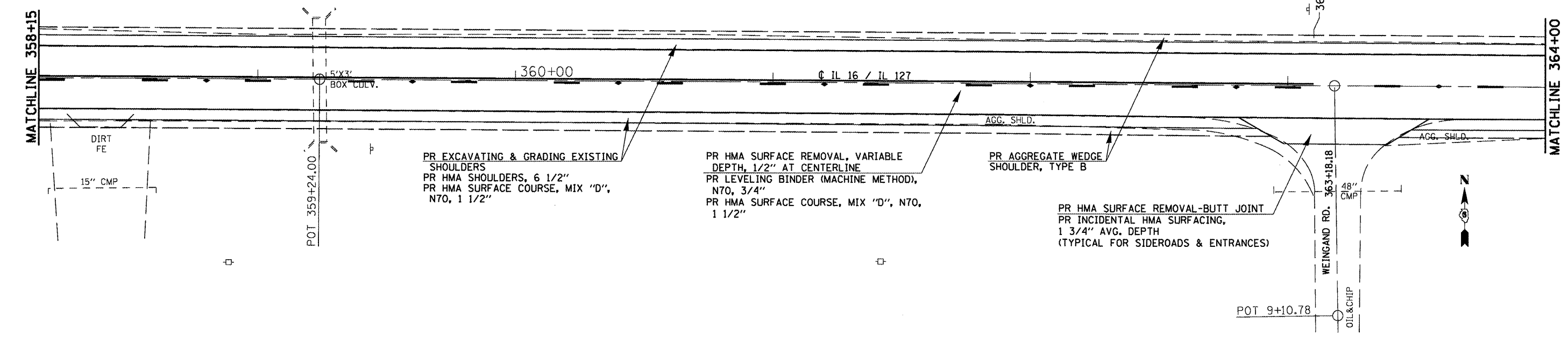
NOTES:
 THE PROPOSED PAVEMENT STRIPING IS NOT SHOWN ON THIS PLAN SHEET. SEE THE PROPOSED PAVEMENT MARKING SHEETS AND SCHEDULES FOR MARKING LOCATIONS.
 WIDTH OF PROPOSED SHOULDER REMOVAL AND HMA SHOULDERS IS 4' UNLESS OTHERWISE STATED WITHIN THESE PLANS.
 WIDTH OF PROPOSED AGGREGATE SHOULDER WEDGE, TYPE B IS 3'-0".
 SEE SIDEROAD AND ENTRANCE SCHEDULES FOR THEIR PROPOSED IMPROVEMENT DETAILS.

-- 325, 42
 ** (15, 21)RS-7, 22RS-4, 24RS-8

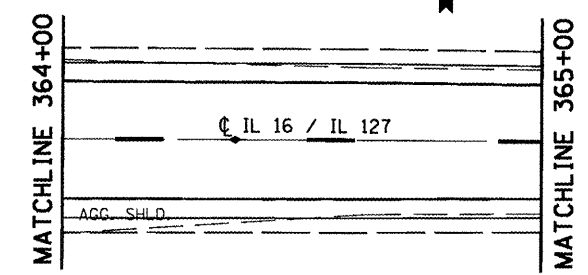
FILE NAME =	USER NAME = sparksgw	DESIGNED - RTS	REVISED -	STATE OF ILLINOIS DEPARTMENT OF TRANSPORTATION	PLAN SHEET (RURAL)			F.A.P. RTE.	SECTION	COUNTY	TOTAL SHEETS	SHEET NO.	
c:\pwork\puidot\sparksgw\d0222005\067	2D67-ah-plan.dgn	DRAWN - RTS	REVISED -		SCALE:	SHEET NO. 11 OF 15 SHEETS	STA.	TO STA.	*	**	MONTGOMERY	80	51
	PLOT SCALE = 48.0000' / in.	CHECKED -	REVISED -								CONTRACT NO. 72D67		
	PLOT DATE = Aug-25-2011 10:16:06AM	DATE - 06-15-11	REVISED -						FED. ROAD DIST. NO.	ILLINOIS FED. AID PROJECT			



NOTE:
 THE PROPOSED PAVEMENT STRIPING IS NOT SHOWN BETWEEN STA. 325+00 TO STA. 356+50. SEE THE PROPOSED PAVEMENT MARKING SHEETS AND SCHEDULES FOR THIS AREA'S MARKING LOCATIONS.

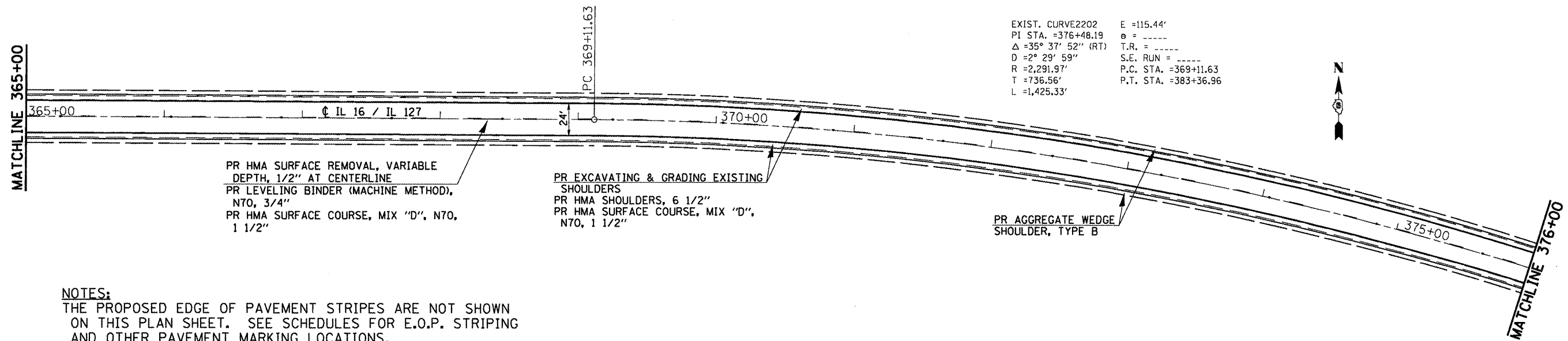


NOTES:
 THE PROPOSED EDGE OF PAVEMENT STRIPS ARE NOT SHOWN ON THIS PLAN SHEET. SEE SCHEDULES FOR E.O.P. STRIPING AND OTHER PAVEMENT MARKING LOCATIONS.
 WIDTH OF PROPOSED HMA SHOULDERS IS 4' UNLESS OTHERWISE STATED WITHIN THESE PLANS.
 WIDTH OF PROPOSED AGGREGATE SHOULDER WEDGE, TYPE B IS 3'-0".
 SEE SIDEROAD AND ENTRANCE SCHEDULES FOR THEIR PROPOSED IMPROVEMENT DETAILS.
 SEE PAVEMENT MARKING SHEETS FOR PAVEMENT MARKINGS, STA. 336+00 TO STA. 365+00.



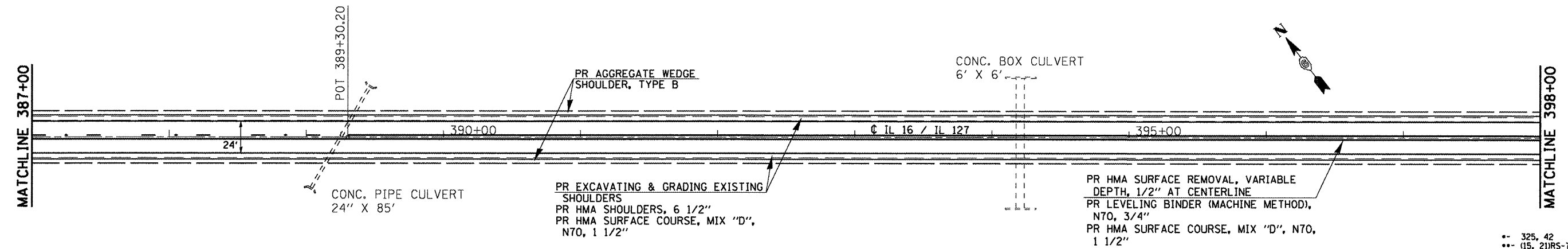
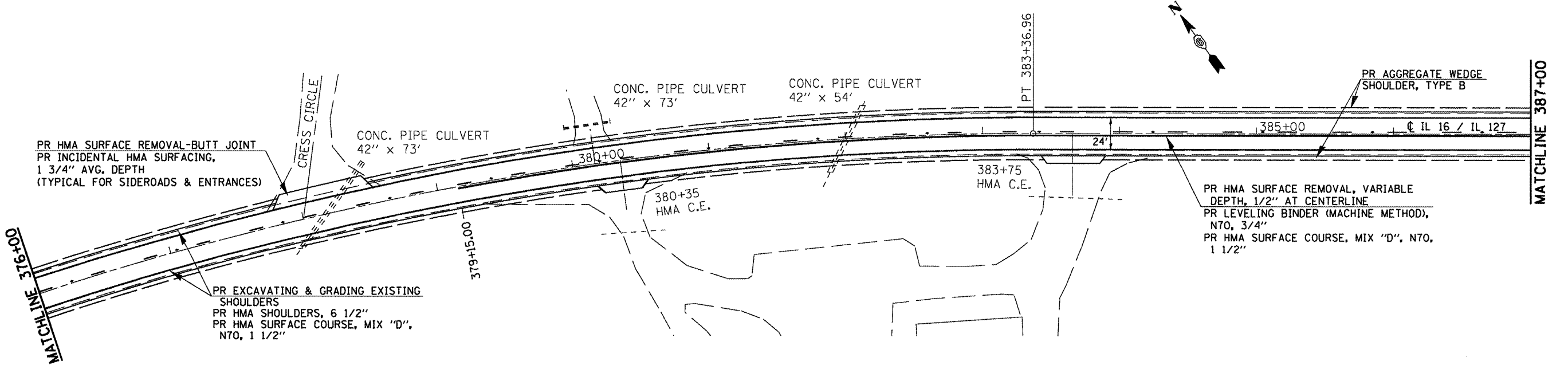
FILE NAME =	USER NAME = sparkagw	DESIGNED - RTS	REVISED -	STATE OF ILLINOIS DEPARTMENT OF TRANSPORTATION	PLAN SHEET (RURAL)	F.A.P. RTE.	SECTION	COUNTY	TOTAL SHEETS	SHEET NO.	
o:\pwork\pilot\sparkagw\d0222005\05\067	2067-sht-plan.dgn	DRAWN - RTS	REVISED -			*	**	MONTGOMERY	80	52	
PLOT SCALE = 48.0000' / 1"		CHECKED -	REVISED -			CONTRACT NO. 72D67					
PLOT DATE = Aug-25-2011 10:16:07AM		DATE - 06-15-11	REVISED -			FED. ROAD DIST. NO. ILLINOIS FED. AID PROJECT					
					SCALE:	SHEET NO. 12 OF 15 SHEETS		STA.	TO STA.		

-- 325, 42
 --- (15, 21RS-7, 22RS-4, 24RS-8)



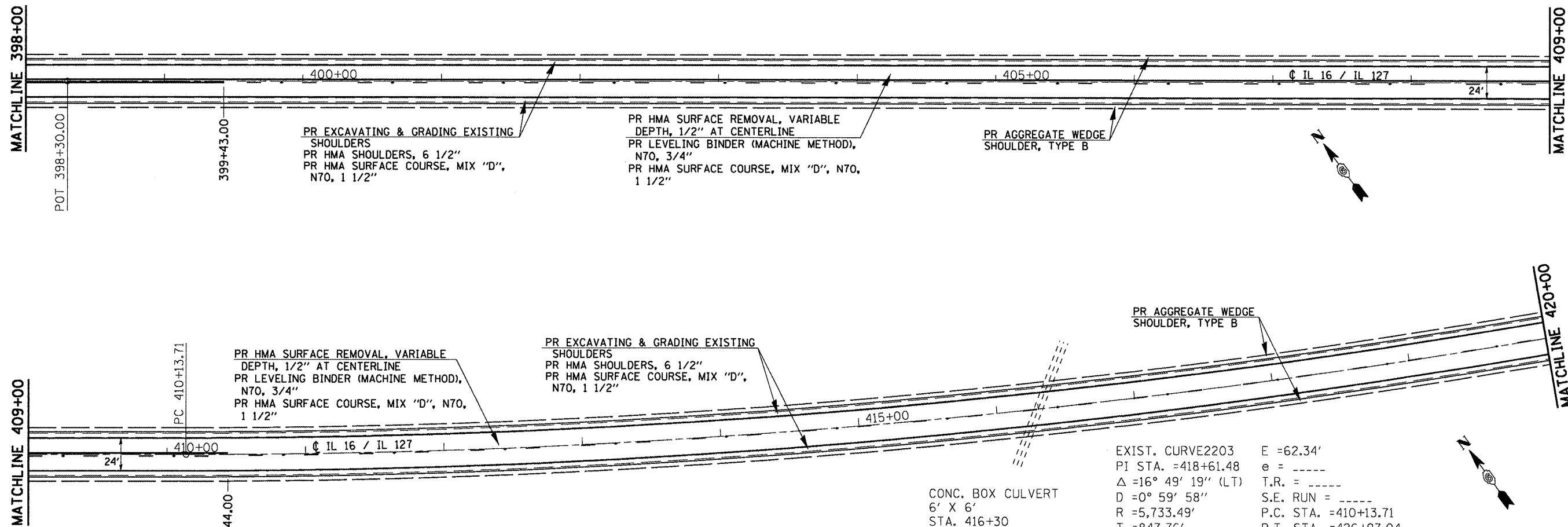
EXIST. CURVE 2202 E = 115.44'
 PI STA. = 376+48.19 e = -----
 Δ = 35° 37' 52" (RT) T.R. = -----
 D = 2° 29' 59" S.E. RUN = -----
 R = 2,291.97' P.C. STA. = 369+11.63
 T = 736.56' P.T. STA. = 383+36.96
 L = 1,425.33'

NOTES:
 THE PROPOSED EDGE OF PAVEMENT STRIPES ARE NOT SHOWN ON THIS PLAN SHEET. SEE SCHEDULES FOR E.O.P. STRIPING AND OTHER PAVEMENT MARKING LOCATIONS.
 WIDTH OF PROPOSED HMA SHOULDERS IS 4' UNLESS OTHERWISE STATED WITHIN THESE PLANS.
 WIDTH OF PROPOSED AGGREGATE SHOULDER WEDGE, TYPE B IS 3'-0".
 SEE SIDEROAD AND ENTRANCE SCHEDULES FOR THEIR PROPOSED IMPROVEMENT DETAILS.



FILE NAME =	USER NAME = sparksgw	DESIGNED - RTS	REVISED -	STATE OF ILLINOIS DEPARTMENT OF TRANSPORTATION	PLAN SHEET (RURAL)			F.A.P. RTE.	SECTION	COUNTY	TOTAL SHEETS	SHEET NO.	
c:\pwork\pwork\sparksgw\10222005\0672067-ah-plan.dgn	PLT SCALE = 40.0000' / in.	DRAWN - RTS	REVISED -		SCALE:	SHEET NO. 13 OF 15 SHEETS	STA.	TO STA.	•	•	MONTGOMERY	80	53
PLT DATE = Aug-25-2011 10:16:07AM	DATE - 06-15-11	CHECKED -	REVISED -						FED. ROAD DIST. NO.	(ILLINOIS) FED. AID PROJECT	CONTRACT NO. 72D67		
		DATE - 06-15-11	REVISED -										

-- 325, 42
 --- (15, 21RS-7, 22RS-4, 24RS-8)

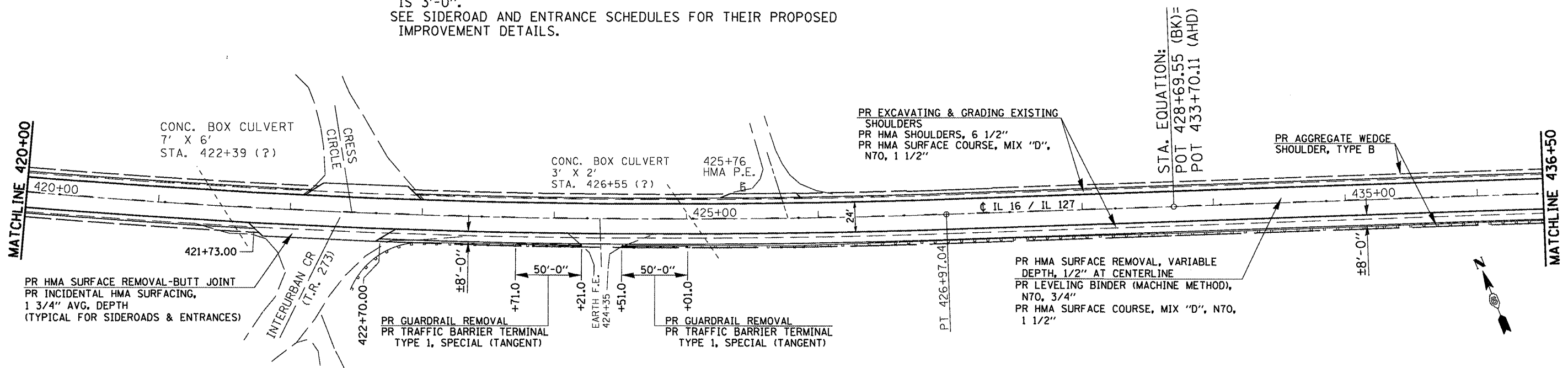


EXIST. CURVE 2203
 PI STA. = 418+61.48
 $\Delta = 16^\circ 49' 19''$ (LT)
 $D = 0^\circ 59' 58''$
 $R = 5,733.49'$
 $T = 847.76'$
 $L = 1,683.33'$

E = 62.34'
 e = -----
 T.R. = -----
 S.E. RUN = -----
 P.C. STA. = 410+13.71
 P.T. STA. = 426+97.04

CONC. BOX CULVERT
 6' X 6'
 STA. 416+30

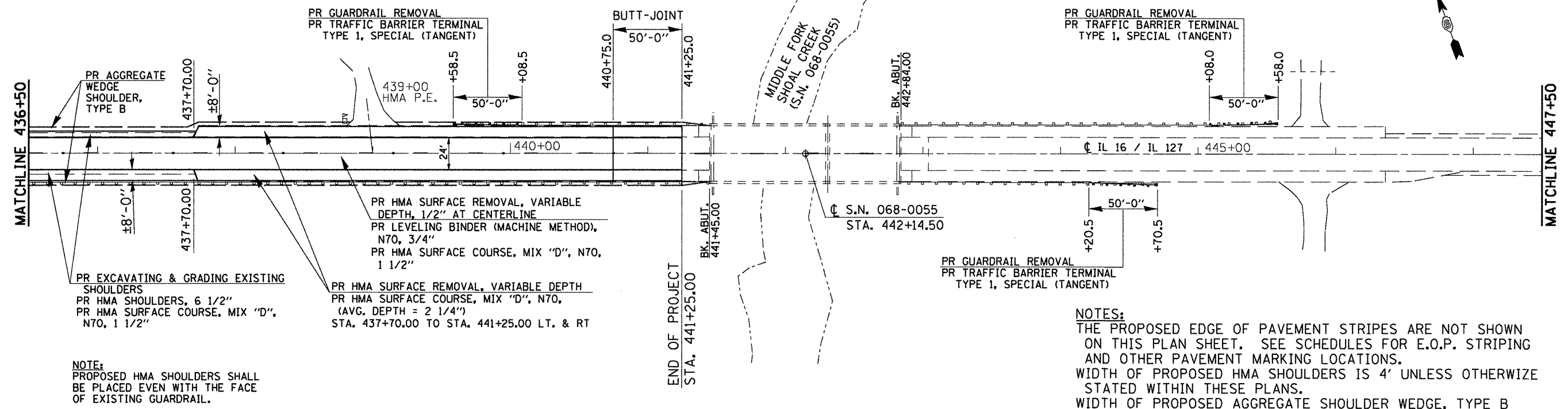
NOTES:
 THE PROPOSED EDGE OF PAVEMENT STRIPES ARE NOT SHOWN ON THIS PLAN SHEET. SEE SCHEDULES FOR E.O.P. STRIPING AND OTHER PAVEMENT MARKING LOCATIONS.
 WIDTH OF PROPOSED HMA SHOULDERS IS 4' UNLESS OTHERWISE STATED WITHIN THESE PLANS.
 WIDTH OF PROPOSED AGGREGATE SHOULDER WEDGE, TYPE B IS 3'-0".
 SEE SIDEROAD AND ENTRANCE SCHEDULES FOR THEIR PROPOSED IMPROVEMENT DETAILS.



STA. EQUATION:
 POT 428+69.55 (BK)=
 POT 433+70.11 (AHD)

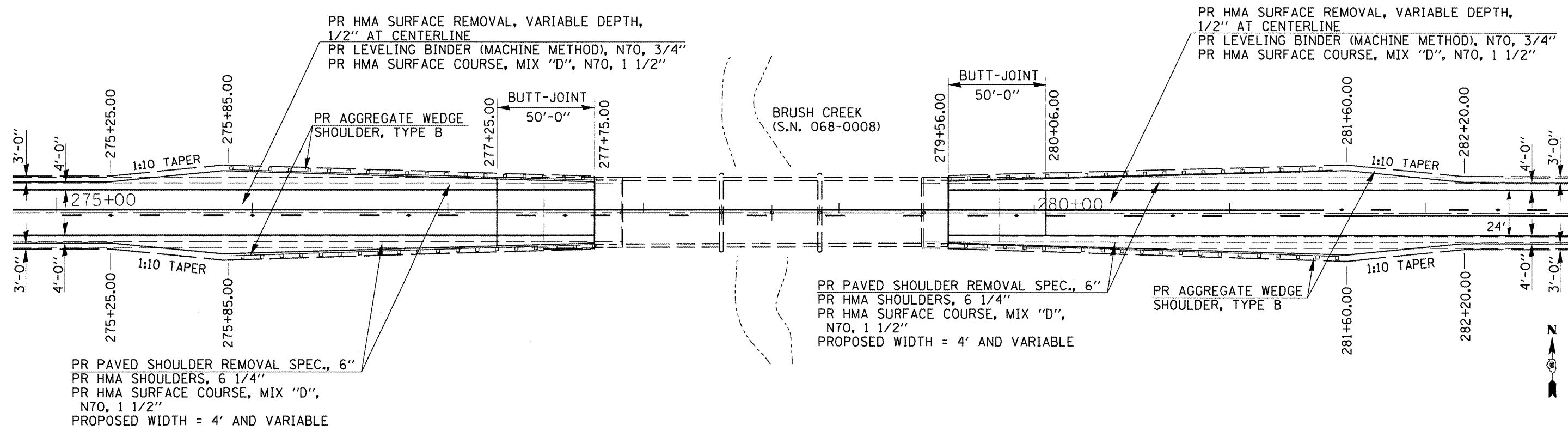
-- 325, 42
 -- (15, 21)RS-7, 22RS-4, 24RS-8

FILE NAME =	USER NAME = sparksgw	DESIGNED - RTS	REVISED -	STATE OF ILLINOIS DEPARTMENT OF TRANSPORTATION	PLAN SHEET (RURAL)		F.A.P. RTE.	SECTION	COUNTY	TOTAL SHEETS	SHEET NO.	
o:\pwork\pwork\sparksgw\d0222805\0672067-ah-1-plan.dgn	PLDT SCALE = 40,0000' / in.	DRAWN - RTS	REVISED -		SCALE:	SHEET NO. 14 OF 15 SHEETS	STA.	TO STA.	MONTGOMERY	80	54	
	PLDT DATE = Aug-25-2011 10:16:08AM	CHECKED -	REVISED -						FED. ROAD DIST. NO.	ILLINOIS FED. AID PROJECT	CONTRACT NO. 72D67	
		DATE - 06-15-11	REVISED -									



NOTE:
PROPOSED HMA SHOULDERS SHALL BE PLACED EVEN WITH THE FACE OF EXISTING GUARDRAIL.

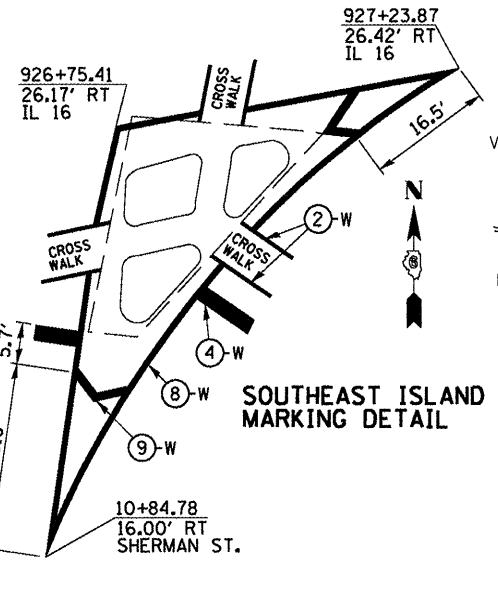
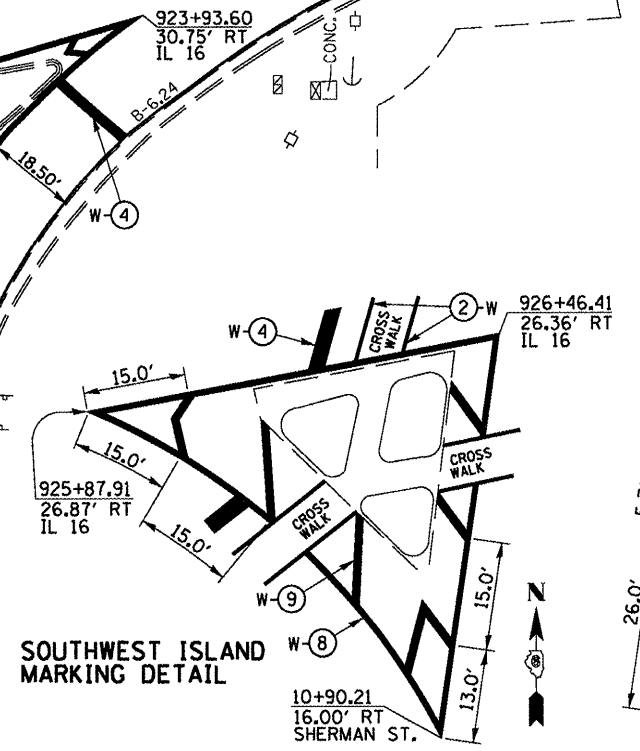
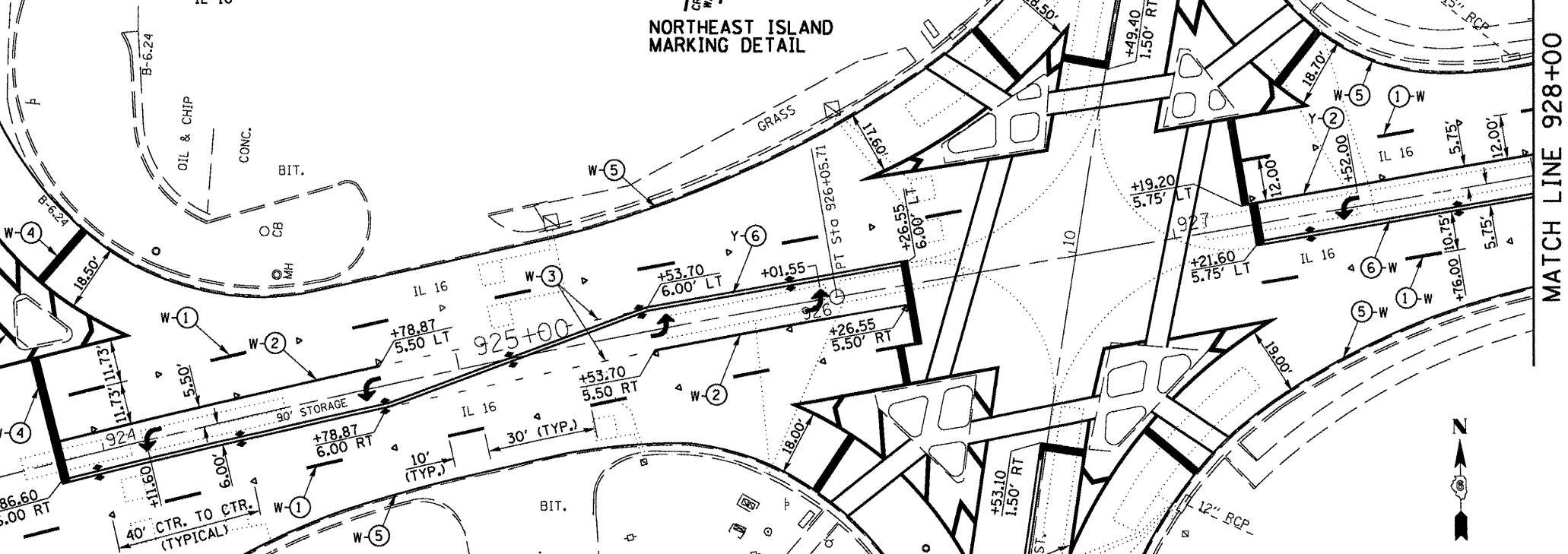
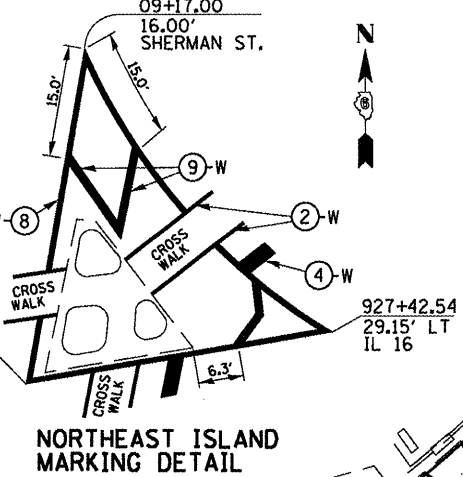
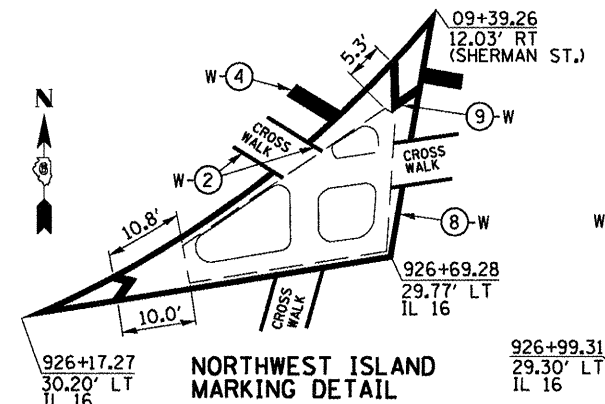
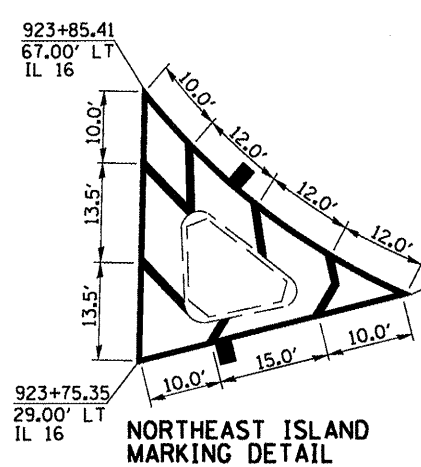
NOTES:
THE PROPOSED EDGE OF PAVEMENT STRIPES ARE NOT SHOWN ON THIS PLAN SHEET. SEE SCHEDULES FOR E.O.P. STRIPING AND OTHER PAVEMENT MARKING LOCATIONS.
WIDTH OF PROPOSED HMA SHOULDERS IS 4' UNLESS OTHERWISE STATED WITHIN THESE PLANS.
WIDTH OF PROPOSED AGGREGATE SHOULDER WEDGE, TYPE B IS 3'-0".
SEE SIDEROAD AND ENTRANCE SCHEDULES FOR THEIR PROPOSED IMPROVEMENT DETAILS.



PROPOSED HMA SHOULDERS & GUARDRAIL LAYOUT FOR IL 16 @ BRUSH CREEK

FILE NAME =	USER NAME = sparksgw	DESIGNED - RTS	REVISED -	STATE OF ILLINOIS DEPARTMENT OF TRANSPORTATION	PLAN SHEET (RURAL)			F.A.P. RTE.	SECTION	COUNTY	TOTAL SHEETS	SHEET NO.
c:\pw\work\p1dot\sparksgw\02222005\0672067-ah-plot.dgn	PLOT SCALE = 48.0000' / in.	DRAWN - RTS	REVISED -		SCALE:	SHEET NO. 15 OF 15 SHEETS	STA.	TO STA.	MONTGOMERY	80	55	
PLOT DATE = Aug-25-2011 10:16:08AM	DATE - 06-15-11	CHECKED -	REVISED -		FED. ROAD DIST. NO. ILLINOIS FED. AID PROJECT							
		DATE - 06-15-11	REVISED -		CONTRACT NO. 72D67							

-- 325, 42
--- (15, 21)RS-7, 22RS-4, 24RS-8

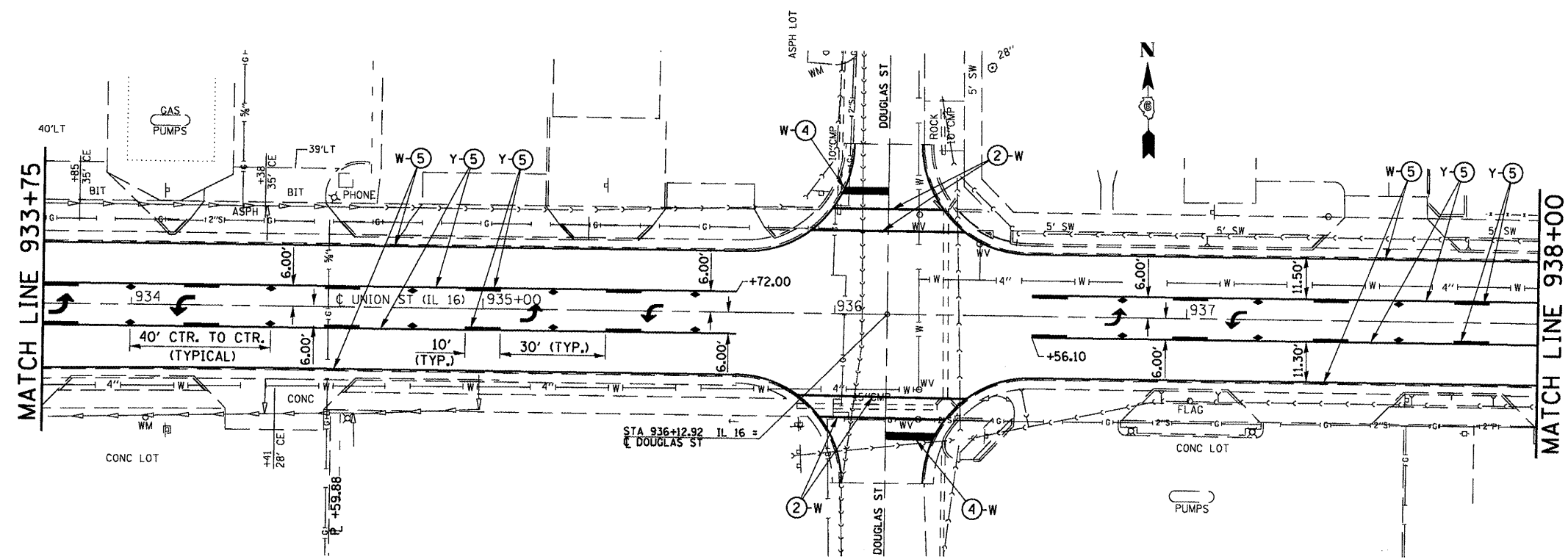
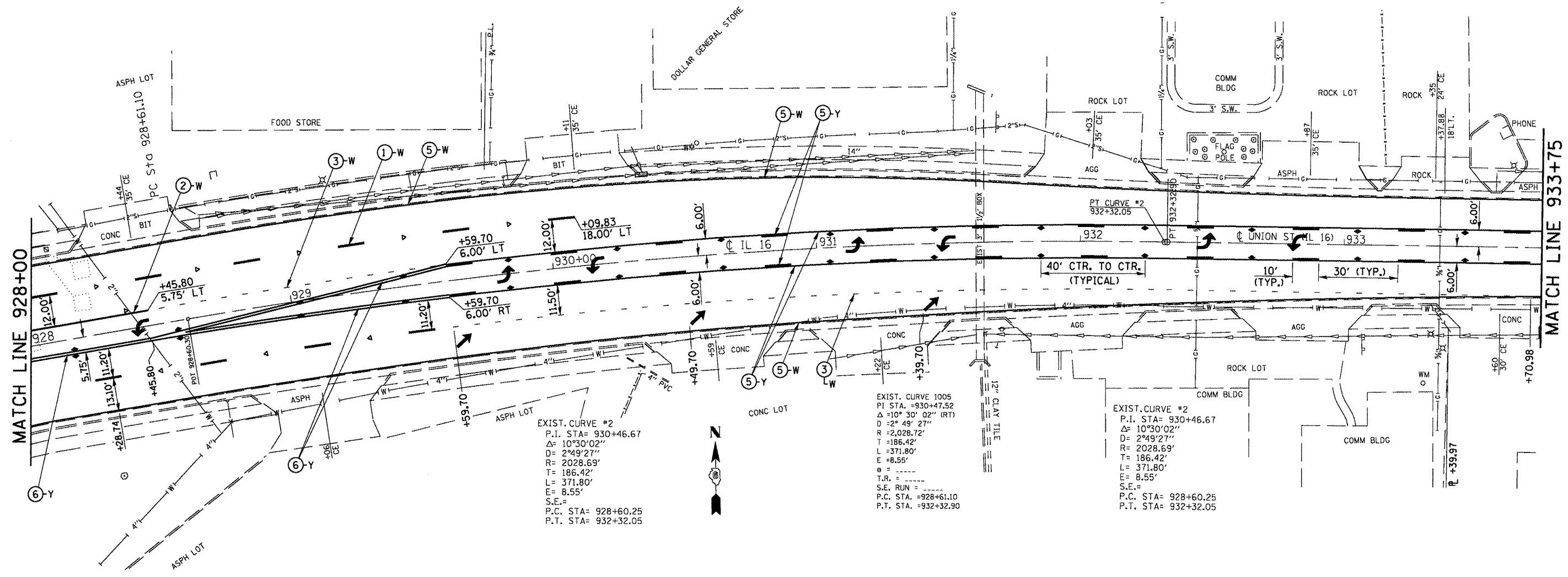


PAVEMENT MARKING LEGEND

- ① PREFORMED PLASTIC PAVEMENT MARKING, TYPE B, INLAID - LINE 5"
- ② PREFORMED PLASTIC PAVEMENT MARKING, TYPE B, INLAID - LINE 6"
- ③ PREFORMED PLASTIC PAVEMENT MARKING, TYPE B, INLAID - LINE 6" (6' SKIP- 2' DASH)
- ④ PREFORMED PLASTIC PAVEMENT MARKING, TYPE B, INLAID - LINE 24"
- ⑤ THERMOPLASTIC PAVEMENT MARKING - LINE 5"
- ⑥ THERMOPLASTIC PAVEMENT MARKING - LINE 5" (DOUBLE YELLOW LINES @ 13" CENTERS)
- ⑦ THERMOPLASTIC PAVEMENT MARKING - LINE 6"
- ⑧ THERMOPLASTIC PAVEMENT MARKING - LINE 8"
- ⑨ THERMOPLASTIC PAVEMENT MARKING - LINE 12"
- ⑩ PAINT PAVEMENT MARKING - LINE 5"
- ↶ PREFORMED PLASTIC PAVEMENT MARKING, TYPE B, INLAID - LETTERS AND SYMBOLS (WHITE)
- ▶ RAISED REFLECTIVE PAVEMENT MARKER (ONE-WAY CRYSTAL)
- ▶ RAISED REFLECTIVE PAVEMENT MARKER (ONE-WAY AMBER)
- ▶ RAISED REFLECTIVE PAVEMENT MARKER (TWO-WAY AMBER)
- ⊗-W PAVEMENT MARKING, WHITE
- ⊗-Y PAVEMENT MARKING, YELLOW

FILE NAME =	USER NAME = sparksgw	DESIGNED - RTS	REVISED -	STATE OF ILLINOIS DEPARTMENT OF TRANSPORTATION	PAVEMENT MARKING LAYOUT (LITCHFIELD)		F.A.P. RTE.	SECTION	COUNTY	TOTAL SHEETS	SHEET NO.
c:\pwork\pvidot\sparksgw\10222005\0672067-aht-pmk.dgn	PLDT SCALE = 40.0000' / 1" =	DRAWN - RTS	REVISED -		SCALE:	SHEET NO. 1 OF 5 SHEETS	STA.		MONTGOMERY	80	56
	PLDT DATE = Aug-25-2011 10:16:12AM	CHECKED - RTS	REVISED -				TO STA.	FED. ROAD DIST. NO.	ILLINOIS FED. AID PROJECT		
		DATE - 06-16-11	REVISED -								

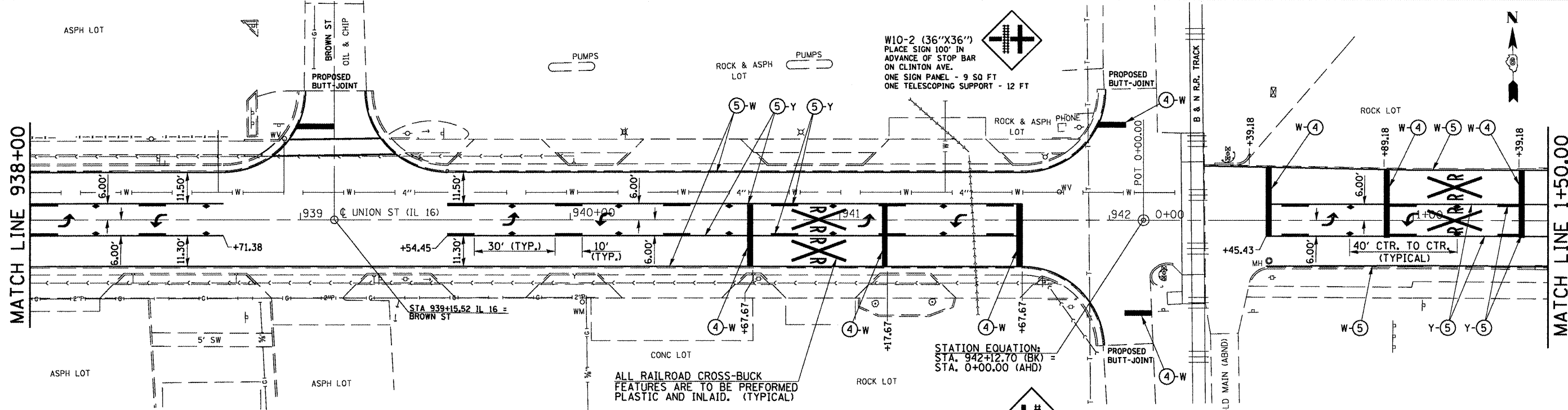
-- 325, 42
 -- (15, 21)RS-7, 22RS-4, 24RS-8



PAVEMENT MARKING LEGEND

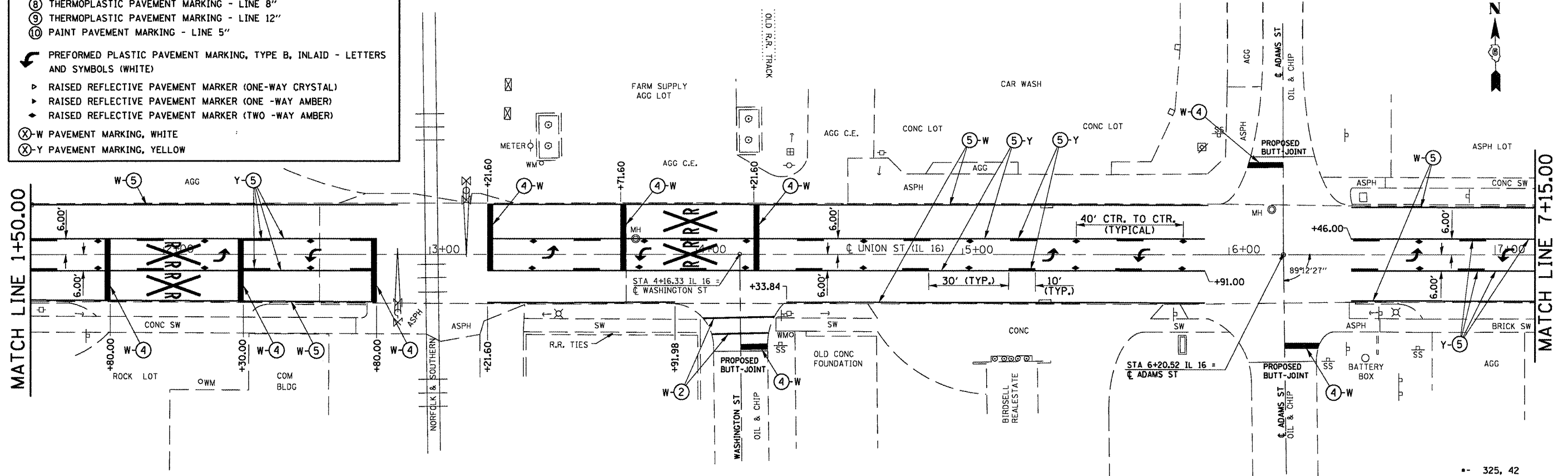
- ① PREFORMED PLASTIC PAVEMENT MARKING, TYPE B, INLAID - LINE 5"
- ② PREFORMED PLASTIC PAVEMENT MARKING, TYPE B, INLAID - LINE 6"
- ③ PREFORMED PLASTIC PAVEMENT MARKING, TYPE B, INLAID - LINE 6" (6' SKIP - 2' DASH)
- ④ PREFORMED PLASTIC PAVEMENT MARKING, TYPE B, INLAID - LINE 24"
- ⑤ THERMOPLASTIC PAVEMENT MARKING - LINE 5"
- ⑥ THERMOPLASTIC PAVEMENT MARKING - LINE 5" (DOUBLE YELLOW LINES @ 13" CENTERS)
- ⑦ THERMOPLASTIC PAVEMENT MARKING - LINE 6"
- ⑧ THERMOPLASTIC PAVEMENT MARKING - LINE 8"
- ⑨ THERMOPLASTIC PAVEMENT MARKING - LINE 12"
- ⑩ PAINT PAVEMENT MARKING - LINE 5"
- ↖ PREFORMED PLASTIC PAVEMENT MARKING, TYPE B, INLAID - LETTERS AND SYMBOLS (WHITE)
- ▶ RAISED REFLECTIVE PAVEMENT MARKER (ONE-WAY CRYSTAL)
- ▲ RAISED REFLECTIVE PAVEMENT MARKER (ONE -WAY AMBER)
- ◆ RAISED REFLECTIVE PAVEMENT MARKER (TWO -WAY AMBER)
- ⊗-W PAVEMENT MARKING, WHITE
- ⊗-Y PAVEMENT MARKING, YELLOW

FILE NAME =	USER NAME = sparkgw	DESIGNED - RTS	REVISED -	STATE OF ILLINOIS DEPARTMENT OF TRANSPORTATION	PAVEMENT MARKING LAYOUT (LITCHFIELD)	F.A.P. RTE. =	SECTION =	COUNTY =	TOTAL SHEETS =	SHEET NO. =		
ci:\p\work\p\uidot\sparkgw\d0222005\0672067-shr-pmk.dgn	D67-shr-pmk.dgn	DRAWN - RTS	REVISED -			SCALE: 1" = 40.0000' / in.	SHEET NO. 2 OF 5 SHEETS	MONTGOMERY	80	57
		CHECKED - RTS	REVISED -			DATE = 06-16-11	STA. TO STA.	FED. ROAD DIST. NO. =	ILLINOIS FED. AID PROJECT	CONTRACT NO. 72D67		
		DATE = 06-16-11	REVISED -					<div style="display: flex; justify-content: space-between;"> 325, 42 (15, 21)RS-7, 22RS-4, 24RS-8 </div>				



PAVEMENT MARKING LEGEND

- ① PREFORMED PLASTIC PAVEMENT MARKING, TYPE B, INLAID - LINE 5"
- ② PREFORMED PLASTIC PAVEMENT MARKING, TYPE B, INLAID - LINE 6"
- ③ PREFORMED PLASTIC PAVEMENT MARKING, TYPE B, INLAID - LINE 6" (6' SKIP- 2' DASH)
- ④ PREFORMED PLASTIC PAVEMENT MARKING, TYPE B, INLAID - LINE 24"
- ⑤ THERMOPLASTIC PAVEMENT MARKING - LINE 5"
- ⑥ THERMOPLASTIC PAVEMENT MARKING - LINE 5" (DOUBLE YELLOW LINES @ 13" CENTERS)
- ⑦ THERMOPLASTIC PAVEMENT MARKING - LINE 6"
- ⑧ THERMOPLASTIC PAVEMENT MARKING - LINE 8"
- ⑨ THERMOPLASTIC PAVEMENT MARKING - LINE 12"
- ⑩ PAINT PAVEMENT MARKING - LINE 5"
- ↪ PREFORMED PLASTIC PAVEMENT MARKING, TYPE B, INLAID - LETTERS AND SYMBOLS (WHITE)
- ▶ RAISED REFLECTIVE PAVEMENT MARKER (ONE-WAY CRYSTAL)
- ▼ RAISED REFLECTIVE PAVEMENT MARKER (ONE -WAY AMBER)
- ◆ RAISED REFLECTIVE PAVEMENT MARKER (TWO -WAY AMBER)
- ⊗ W PAVEMENT MARKING, WHITE
- ⊗ Y PAVEMENT MARKING, YELLOW



FILE NAME =	USER NAME = sparkgw	DESIGNED - RTS	REVISED -
c:\pwork\pilot\sparkgw\d0222805\0672067-aht-pmk.dgn	2067-aht-pmk.dgn	DRAWN - RTS	REVISED -
PLT SCALE = 48.0000 ' / in.		CHECKED - RTS	REVISED -
PLT DATE = Aug-25-2011 10:16:13AM		DATE - 06-16-11	REVISED -

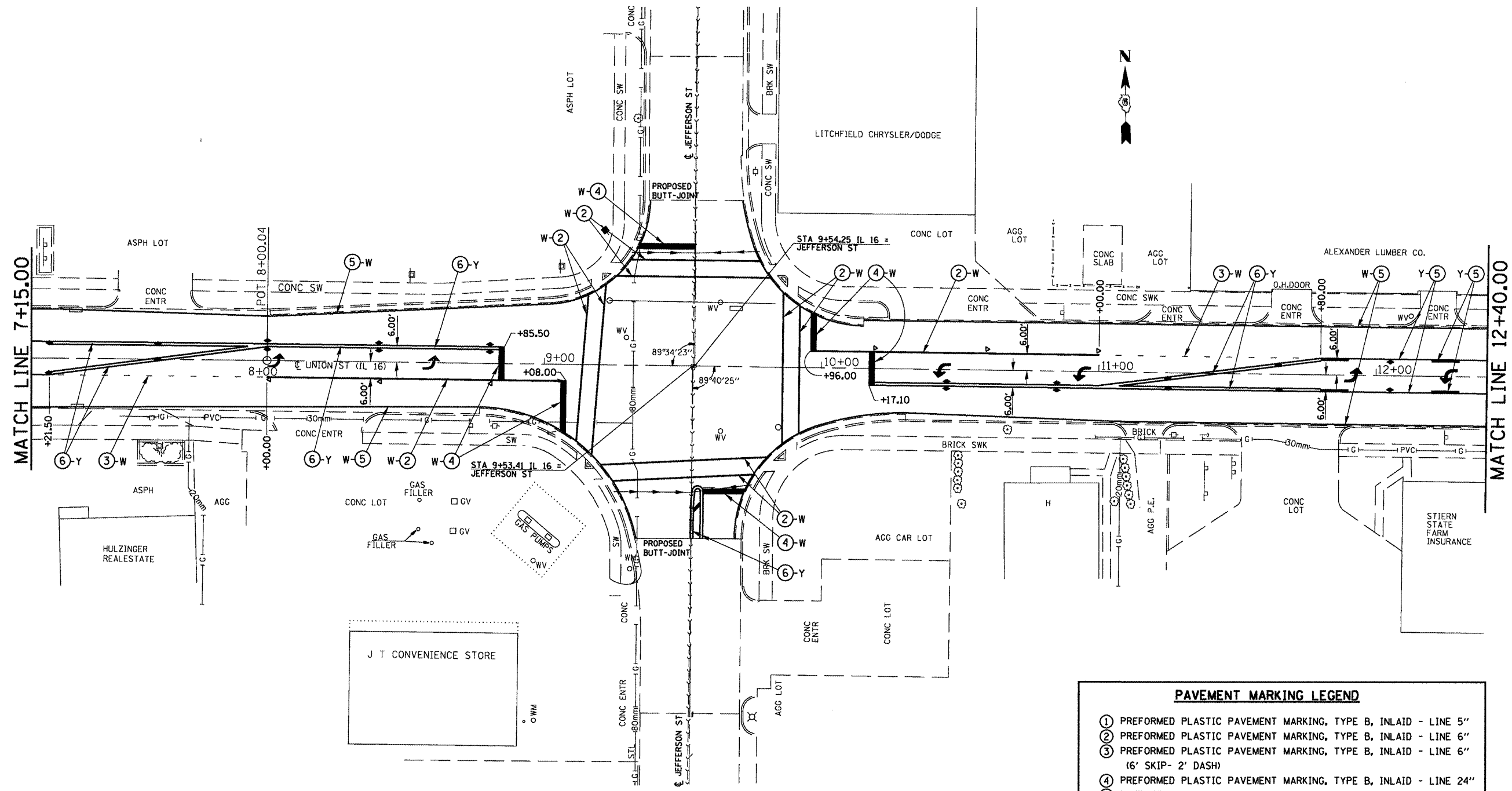
**STATE OF ILLINOIS
DEPARTMENT OF TRANSPORTATION**

**PAVEMENT MARKING LAYOUT
(LITCHFIELD)**

SCALE: SHEET NO. 3 OF 5 SHEETS STA. TO STA.

F.A.P. RTE.	SECTION	COUNTY	TOTAL SHEETS	SHEET NO.
		MONTGOMERY	80	58
CONTRACT NO. 72D67				
FED. ROAD DIST. NO. ILLINOIS FED. AID PROJECT				

325, 42
(15, 21)RS-7, 22RS-4, 24RS-8

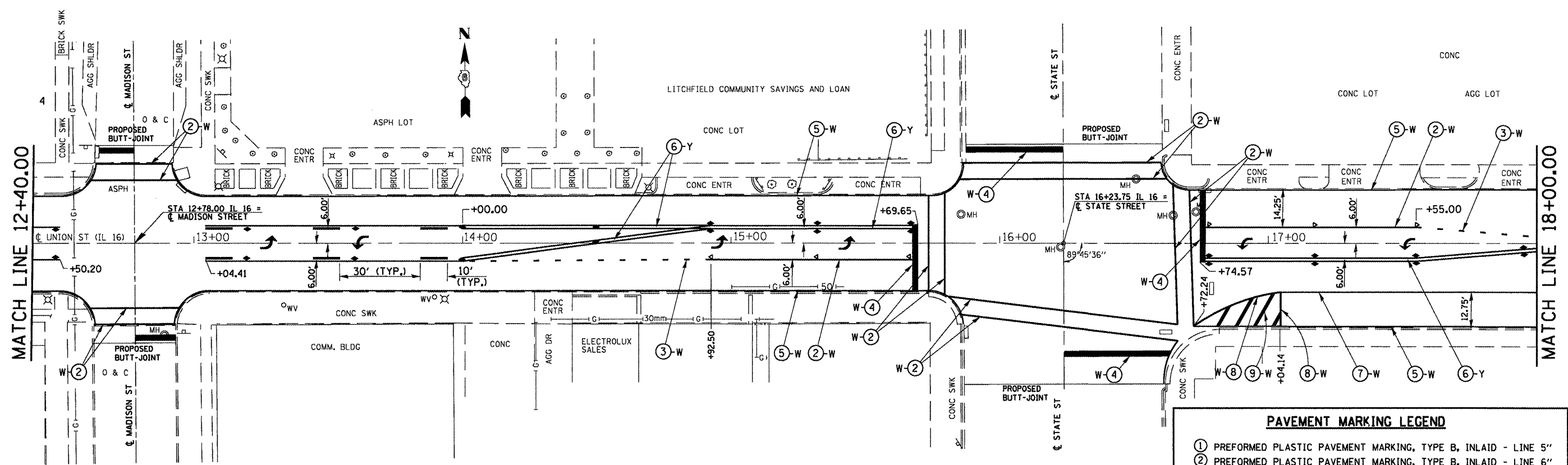


PAVEMENT MARKING LEGEND

- ① PREFORMED PLASTIC PAVEMENT MARKING, TYPE B, INLAID - LINE 5"
- ② PREFORMED PLASTIC PAVEMENT MARKING, TYPE B, INLAID - LINE 6"
- ③ PREFORMED PLASTIC PAVEMENT MARKING, TYPE B, INLAID - LINE 6" (6' SKIP- 2' DASH)
- ④ PREFORMED PLASTIC PAVEMENT MARKING, TYPE B, INLAID - LINE 24"
- ⑤ THERMOPLASTIC PAVEMENT MARKING - LINE 5"
- ⑥ THERMOPLASTIC PAVEMENT MARKING - LINE 5" (DOUBLE YELLOW LINES @ 13" CENTERS)
- ⑦ THERMOPLASTIC PAVEMENT MARKING - LINE 6"
- ⑧ THERMOPLASTIC PAVEMENT MARKING - LINE 8"
- ⑨ THERMOPLASTIC PAVEMENT MARKING - LINE 12"
- ⑩ PAINT PAVEMENT MARKING - LINE 5"
- ↩ PREFORMED PLASTIC PAVEMENT MARKING, TYPE B, INLAID - LETTERS AND SYMBOLS (WHITE)
- ▶ RAISED REFLECTIVE PAVEMENT MARKER (ONE-WAY CRYSTAL)
- ▶ RAISED REFLECTIVE PAVEMENT MARKER (ONE-WAY AMBER)
- ▶ RAISED REFLECTIVE PAVEMENT MARKER (TWO-WAY AMBER)
- ⊗-W PAVEMENT MARKING, WHITE
- ⊗-Y PAVEMENT MARKING, YELLOW

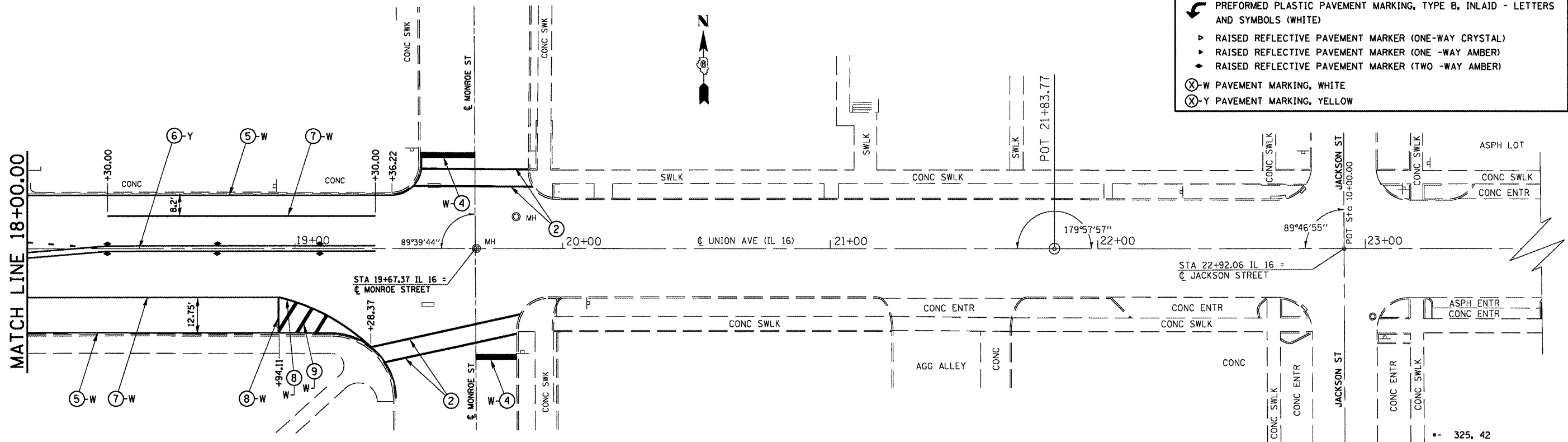
.. 325, 42
 .. (15, 21)RS-7, 22RS-4, 24RS-8

FILE NAME =	USER NAME = sparksgw	DESIGNED - RTS	REVISED -	STATE OF ILLINOIS DEPARTMENT OF TRANSPORTATION	PAVEMENT MARKING LAYOUT (LITCHFIELD)		F.A.P. RTE.	SECTION	COUNTY	TOTAL SHEETS	SHEET NO.
c:\pwork\pwork\sparksgw\d0222005\067	067-ahc-pmk.dgn	DRAWN - RTS	REVISED -		SCALE: 1" = 40.0000' / in.	SHEET NO. 4 OF 5 SHEETS	STA.	TO STA.	MONTEGOMERY	80	59
		CHECKED - RTS	REVISED -						CONTRACT NO. 72D67		
		DATE - 06-16-11	REVISED -						ILLINOIS FED. AID PROJECT		

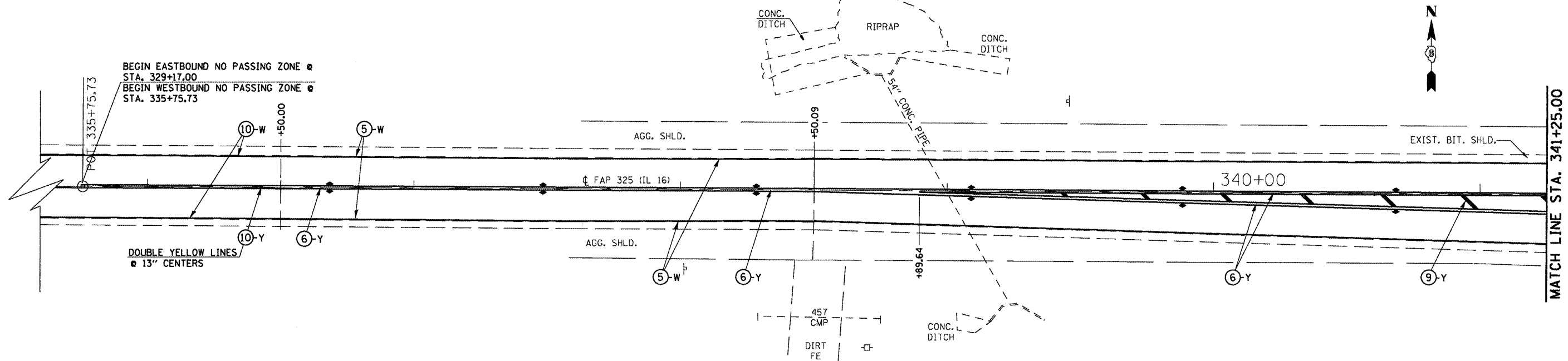


PAVEMENT MARKING LEGEND

- ① PREFORMED PLASTIC PAVEMENT MARKING, TYPE B, INLAID - LINE 5"
- ② PREFORMED PLASTIC PAVEMENT MARKING, TYPE B, INLAID - LINE 6"
- ③ PREFORMED PLASTIC PAVEMENT MARKING, TYPE B, INLAID - LINE 6" (6' SKIP- 2' DASH)
- ④ PREFORMED PLASTIC PAVEMENT MARKING, TYPE B, INLAID - LINE 24"
- ⑤ THERMOPLASTIC PAVEMENT MARKING - LINE 5"
- ⑥ THERMOPLASTIC PAVEMENT MARKING - LINE 5" (DOUBLE YELLOW LINES @ 13" CENTERS)
- ⑦ THERMOPLASTIC PAVEMENT MARKING - LINE 6"
- ⑧ THERMOPLASTIC PAVEMENT MARKING - LINE 8"
- ⑨ THERMOPLASTIC PAVEMENT MARKING - LINE 12"
- ⑩ PAINT PAVEMENT MARKING - LINE 5"
- ↶ PREFORMED PLASTIC PAVEMENT MARKING, TYPE B, INLAID - LETTERS AND SYMBOLS (WHITE)
- ▶ RAISED REFLECTIVE PAVEMENT MARKER (ONE-WAY CRYSTAL)
- ▶ RAISED REFLECTIVE PAVEMENT MARKER (ONE -WAY AMBER)
- ◆ RAISED REFLECTIVE PAVEMENT MARKER (TWO -WAY AMBER)
- ⊗-W PAVEMENT MARKING, WHITE
- ⊗-Y PAVEMENT MARKING, YELLOW

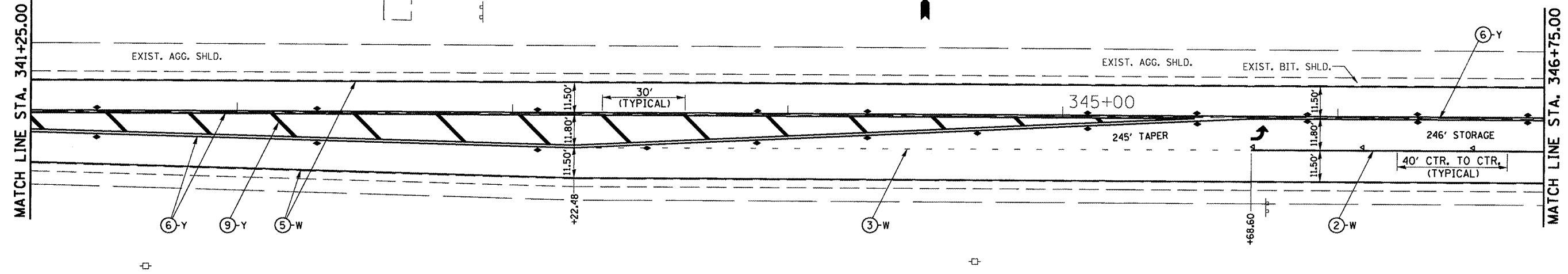


FILE NAME =	USER NAME = sparkagw	DESIGNED - RTS	REVISED -	STATE OF ILLINOIS DEPARTMENT OF TRANSPORTATION	PAVEMENT MARKING LAYOUT (LITCHFIELD)	F.A.P. RTE.	SECTION	COUNTY	TOTAL SHEETS	SHEET NO.
c:\pwork\puidot\sparkagw\d\2222005\067	DB7-ahf-pmk.dgn	DRAWN - RTS	REVISED -			325, 42	80	60		
PLT SCALE = 48.0000' / 1"	CHECKED - RTS	REVISED -	MONTEGOMERY			CONTRACT NO. 72D67				
PLT DATE = Aug-25-2011 18:16:14AM	DATE - 06-16-11	REVISED -	ILLINOIS FED. AID PROJECT							



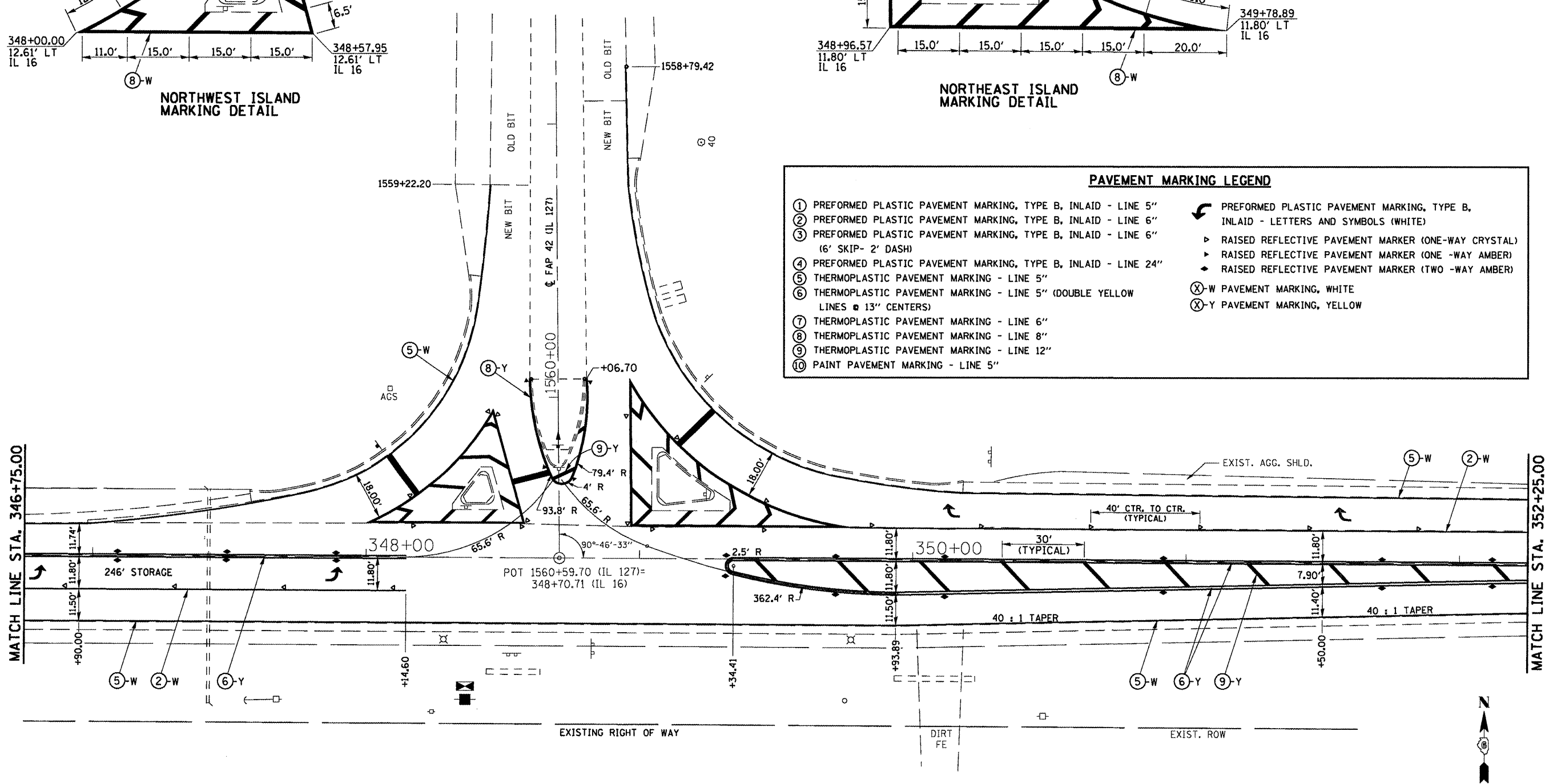
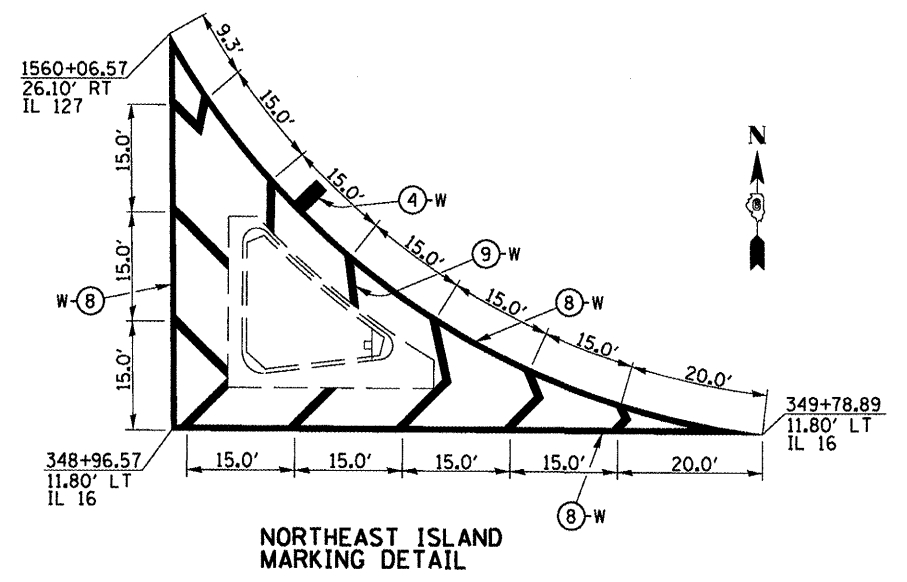
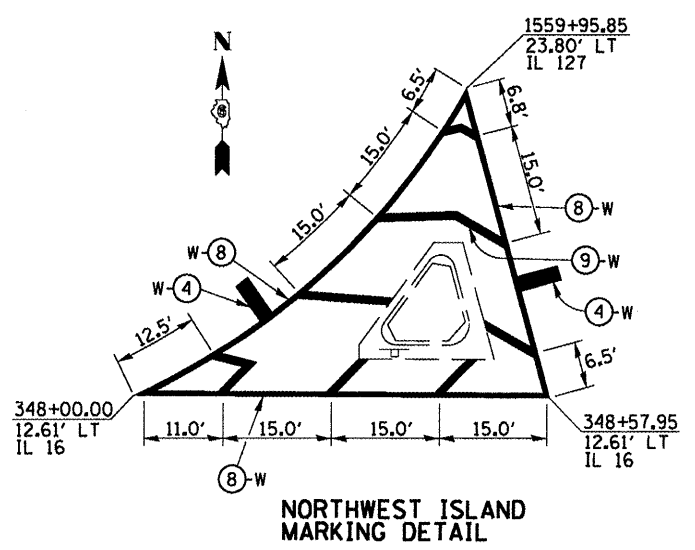
PAVEMENT MARKING LEGEND

- ① PREFORMED PLASTIC PAVEMENT MARKING, TYPE B, INLAID - LINE 5"
- ② PREFORMED PLASTIC PAVEMENT MARKING, TYPE B, INLAID - LINE 6"
- ③ PREFORMED PLASTIC PAVEMENT MARKING, TYPE B, INLAID - LINE 6" (6' SKIP- 2' DASH)
- ④ PREFORMED PLASTIC PAVEMENT MARKING, TYPE B, INLAID - LINE 24"
- ⑤ THERMOPLASTIC PAVEMENT MARKING - LINE 5"
- ⑥ THERMOPLASTIC PAVEMENT MARKING - LINE 5" (DOUBLE YELLOW LINES @ 13" CENTERS)
- ⑦ THERMOPLASTIC PAVEMENT MARKING - LINE 6"
- ⑧ THERMOPLASTIC PAVEMENT MARKING - LINE 8"
- ⑨ THERMOPLASTIC PAVEMENT MARKING - LINE 12"
- ⑩ PAINT PAVEMENT MARKING - LINE 5"
- ↶ PREFORMED PLASTIC PAVEMENT MARKING, TYPE B, INLAID - LETTERS AND SYMBOLS (WHITE)
- ▷ RAISED REFLECTIVE PAVEMENT MARKER (ONE-WAY CRYSTAL)
- ▷ RAISED REFLECTIVE PAVEMENT MARKER (ONE -WAY AMBER)
- ◆ RAISED REFLECTIVE PAVEMENT MARKER (TWO -WAY AMBER)
- ⓧ-W PAVEMENT MARKING, WHITE
- ⓧ-Y PAVEMENT MARKING, YELLOW



FILE NAME =	USER NAME = sparksgw	DESIGNED - RTS	REVISED -	STATE OF ILLINOIS DEPARTMENT OF TRANSPORTATION	PAVEMENT MARKING LAYOUT (IL 16 /IL 127 INTERSECTION)			F.A.P. RTE.	SECTION	COUNTY	TOTAL SHEETS	SHEET NO.
o:\pw\work\p\dot\sparksgw\02220005\0672067-ahh-pmk.dgn	PLOT SCALE = 48,0000' / in.	DRAWN - RTS	REVISED -					•	•	MONTGOMERY	80	61
PLOT DATE = Aug-25-2011 10:16:14AM	DATE - 06-16-11	CHECKED - RTS	REVISED -		SCALE: SHEET NO. 1 OF 4 SHEETS STA. TO STA.			CONTRACT NO. 72067				
		REVISIED -	REVISED -		FED. ROAD DIST. NO. ILLINOIS FED. AID PROJECT							

-- 325, 42
 -- (15, 21)RS-7, 22RS-4, 24RS-8



PAVEMENT MARKING LEGEND	
①	PREFORMED PLASTIC PAVEMENT MARKING, TYPE B, INLAID - LINE 5"
②	PREFORMED PLASTIC PAVEMENT MARKING, TYPE B, INLAID - LINE 6"
③	PREFORMED PLASTIC PAVEMENT MARKING, TYPE B, INLAID - LINE 6" (6' SKIP - 2' DASH)
④	PREFORMED PLASTIC PAVEMENT MARKING, TYPE B, INLAID - LINE 24"
⑤	THERMOPLASTIC PAVEMENT MARKING - LINE 5"
⑥	THERMOPLASTIC PAVEMENT MARKING - LINE 5" (DOUBLE YELLOW LINES @ 13" CENTERS)
⑦	THERMOPLASTIC PAVEMENT MARKING - LINE 6"
⑧	THERMOPLASTIC PAVEMENT MARKING - LINE 8"
⑨	THERMOPLASTIC PAVEMENT MARKING - LINE 12"
⑩	PAINT PAVEMENT MARKING - LINE 5"
↶	PREFORMED PLASTIC PAVEMENT MARKING, TYPE B, INLAID - LETTERS AND SYMBOLS (WHITE)
▶	RAISED REFLECTIVE PAVEMENT MARKER (ONE-WAY CRYSTAL)
▶	RAISED REFLECTIVE PAVEMENT MARKER (ONE-WAY AMBER)
◆	RAISED REFLECTIVE PAVEMENT MARKER (TWO-WAY AMBER)
⊗-W	PAVEMENT MARKING, WHITE
⊗-Y	PAVEMENT MARKING, YELLOW

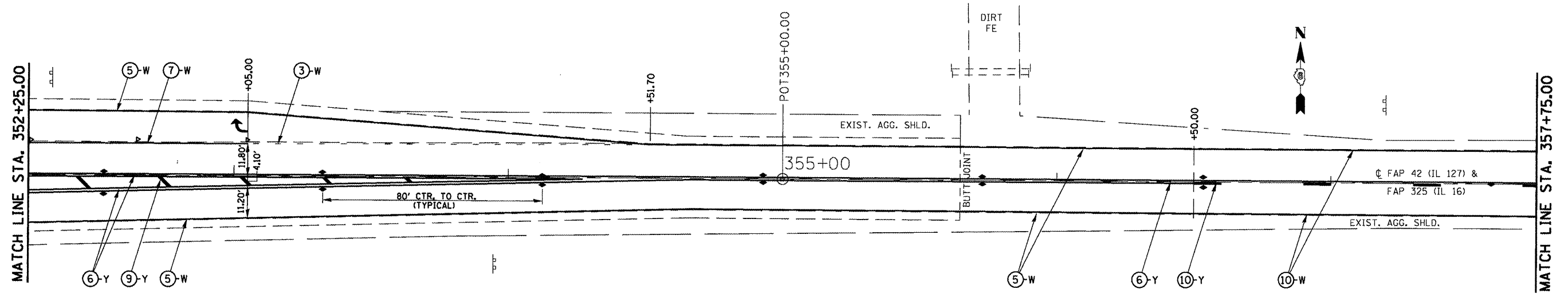
FILE NAME =	USER NAME = sparksgw	DESIGNED - RTS	REVISED -
c:\pwork\pwork\sparksgw\08222005\0872067-ah-tpmk.dgn		DRAWN - RTS	REVISED -
PLDT SCALE = 40.0000' / in.		CHECKED - RTS	REVISED -
PLDT DATE = Aug-25-2011 10:16:15AM		DATE - 06-16-11	REVISED -

**STATE OF ILLINOIS
DEPARTMENT OF TRANSPORTATION**

PAVEMENT MARKING LAYOUT (IL 16 / IL 127 INTERSECTION)	
SCALE:	SHEET NO. 2 OF 4 SHEETS STA. TO STA.

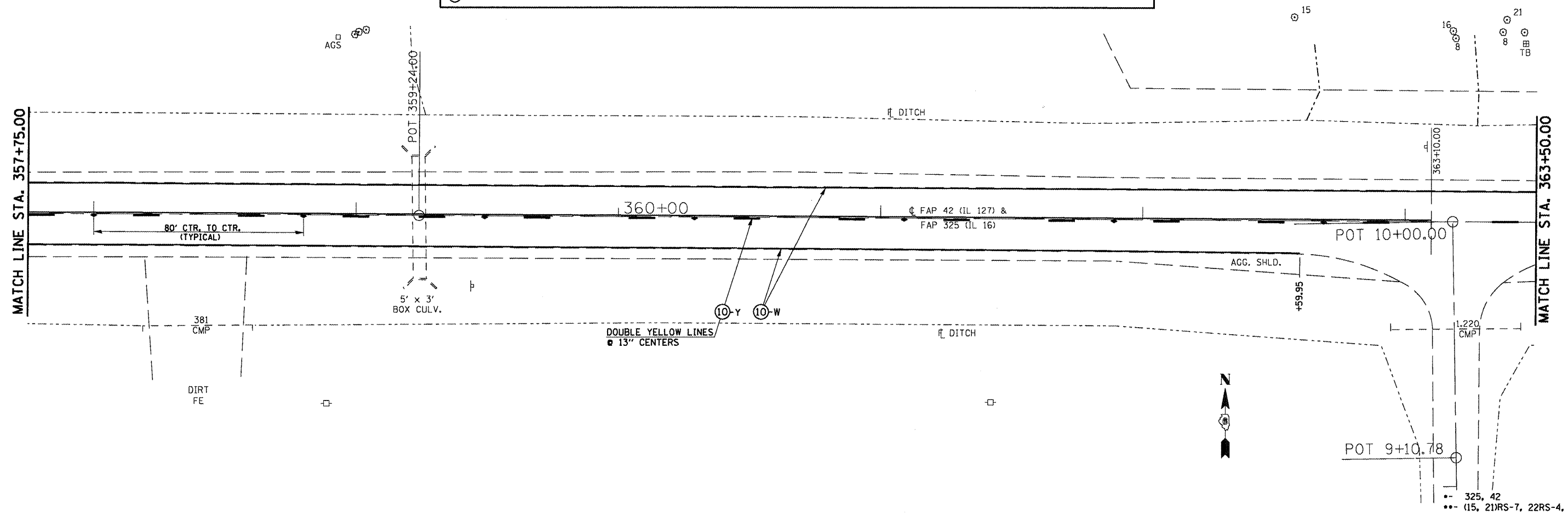
F.A.P. RTE.	SECTION	COUNTY	TOTAL SHEETS	SHEET NO.
.	..	MONTGOMERY	80	62
FED. ROAD DIST. NO. [ILLINOIS] FED. AID PROJECT			CONTRACT NO. 72D67	

.. 325, 42
.. (15, 21)RS-7, 22RS-4, 24RS-8



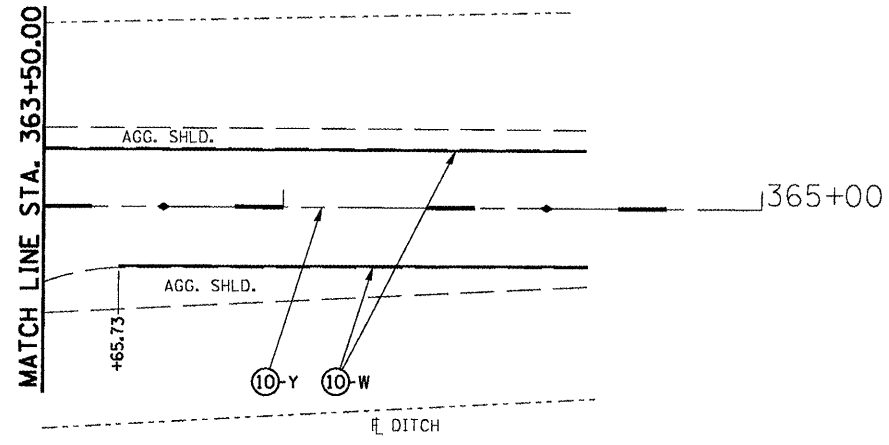
PAVEMENT MARKING LEGEND

① PREFORMED PLASTIC PAVEMENT MARKING, TYPE B, INLAID - LINE 5"	↩ PREFORMED PLASTIC PAVEMENT MARKING, TYPE B, INLAID - LETTERS AND SYMBOLS (WHITE)
② PREFORMED PLASTIC PAVEMENT MARKING, TYPE B, INLAID - LINE 6"	▶ RAISED REFLECTIVE PAVEMENT MARKER (ONE-WAY CRYSTAL)
③ PREFORMED PLASTIC PAVEMENT MARKING, TYPE B, INLAID - LINE 6" (6' SKIP- 2' DASH)	▶ RAISED REFLECTIVE PAVEMENT MARKER (ONE -WAY AMBER)
④ PREFORMED PLASTIC PAVEMENT MARKING, TYPE B, INLAID - LINE 24"	▶ RAISED REFLECTIVE PAVEMENT MARKER (TWO -WAY AMBER)
⑤ THERMOPLASTIC PAVEMENT MARKING - LINE 5"	⊗-W PAVEMENT MARKING, WHITE
⑥ THERMOPLASTIC PAVEMENT MARKING - LINE 5" (DOUBLE YELLOW LINES @ 13" CENTERS)	⊗-Y PAVEMENT MARKING, YELLOW
⑦ THERMOPLASTIC PAVEMENT MARKING - LINE 6"	
⑧ THERMOPLASTIC PAVEMENT MARKING - LINE 8"	
⑨ THERMOPLASTIC PAVEMENT MARKING - LINE 12"	
⑩ PAINT PAVEMENT MARKING - LINE 5"	



FILE NAME =	USER NAME = sparkgw	DESIGNED - RTS	REVISED -	STATE OF ILLINOIS DEPARTMENT OF TRANSPORTATION	PAVEMENT MARKING LAYOUT (IL 16 /IL 127 INTERSECTION)	F.A.P. RTE.	SECTION	COUNTY	TOTAL SHEETS	SHEET NO.	
at\pwork\pwork\sparkgw\0222005\067	067-sht-pmk.dgn	DRAWN - RTS	REVISED -			•	•	MONTGOMERY	80	63	
PLOT SCALE = 48.0000' / in.	CHECKED - RTS	REVISED -	REVISED -			CONTRACT NO. 72D67					
PLOT DATE = Aug-25-2011 10:16:15AM	DATE - 06-16-11	REVISED -	REVISED -			FED. ROAD DIST. NO. [ILLINOIS] FED. AID PROJECT					

BUSHES &
SMALL TREES
TB



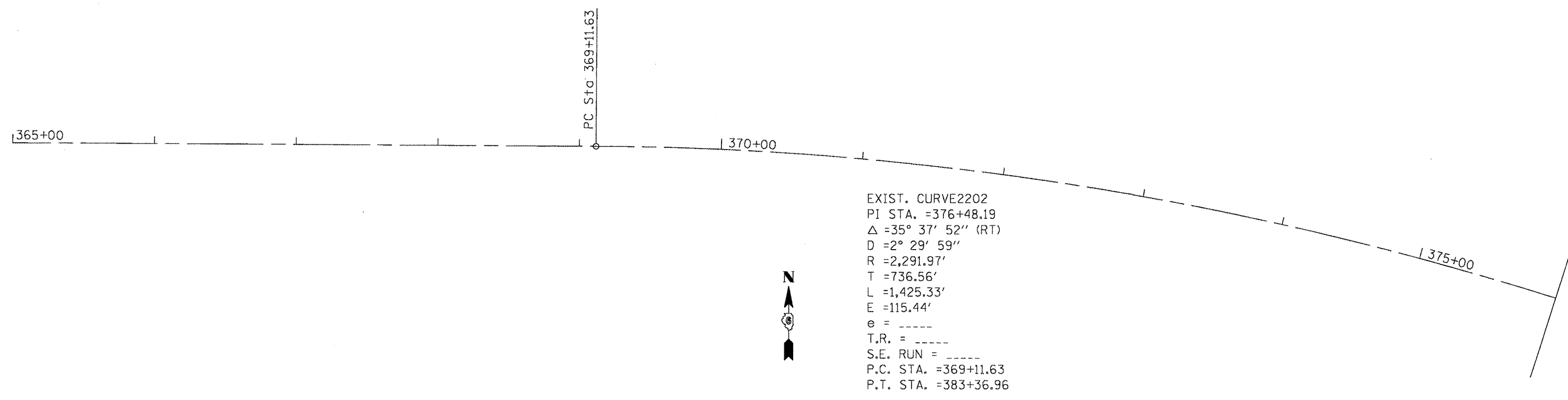
PAVEMENT MARKING LEGEND

- ① PREFORMED PLASTIC PAVEMENT MARKING, TYPE B, INLAID - LINE 5"
- ② PREFORMED PLASTIC PAVEMENT MARKING, TYPE B, INLAID - LINE 6"
- ③ PREFORMED PLASTIC PAVEMENT MARKING, TYPE B, INLAID - LINE 6" (6' SKIP- 2' DASH)
- ④ PREFORMED PLASTIC PAVEMENT MARKING, TYPE B, INLAID - LINE 24"
- ⑤ THERMOPLASTIC PAVEMENT MARKING - LINE 5"
- ⑥ THERMOPLASTIC PAVEMENT MARKING - LINE 5" (DOUBLE YELLOW LINES @ 13" CENTERS)
- ⑦ THERMOPLASTIC PAVEMENT MARKING - LINE 6"
- ⑧ THERMOPLASTIC PAVEMENT MARKING - LINE 8"
- ⑨ THERMOPLASTIC PAVEMENT MARKING - LINE 12"
- ⑩ PAINT PAVEMENT MARKING - LINE 5"

↖ PREFORMED PLASTIC PAVEMENT MARKING, TYPE B, INLAID - LETTERS AND SYMBOLS (WHITE)

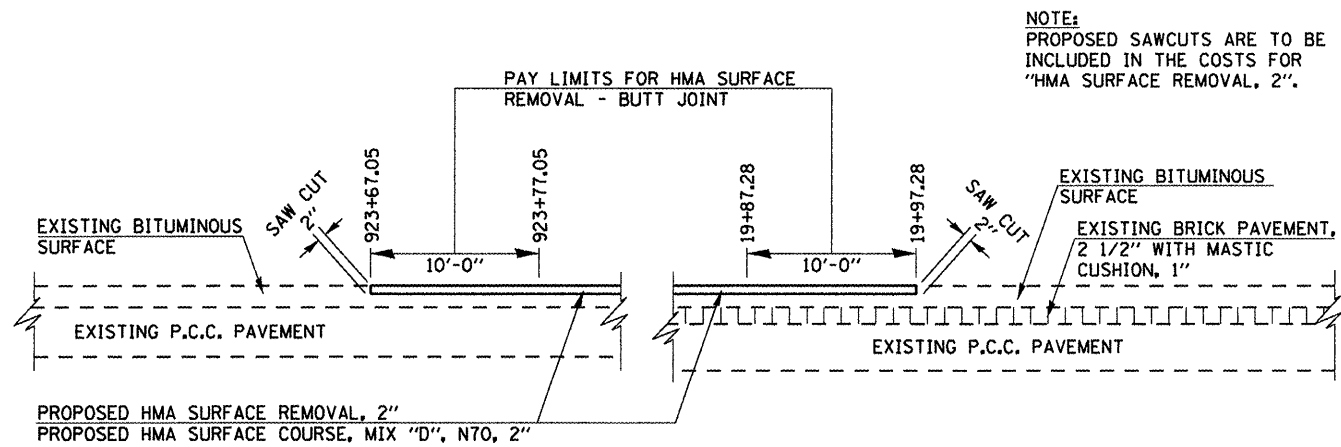
- ▷ RAISED REFLECTIVE PAVEMENT MARKER (ONE-WAY CRYSTAL)
- ▷ RAISED REFLECTIVE PAVEMENT MARKER (ONE -WAY AMBER)
- ◆ RAISED REFLECTIVE PAVEMENT MARKER (TWO -WAY AMBER)

⊗-W PAVEMENT MARKING, WHITE
⊗-Y PAVEMENT MARKING, YELLOW

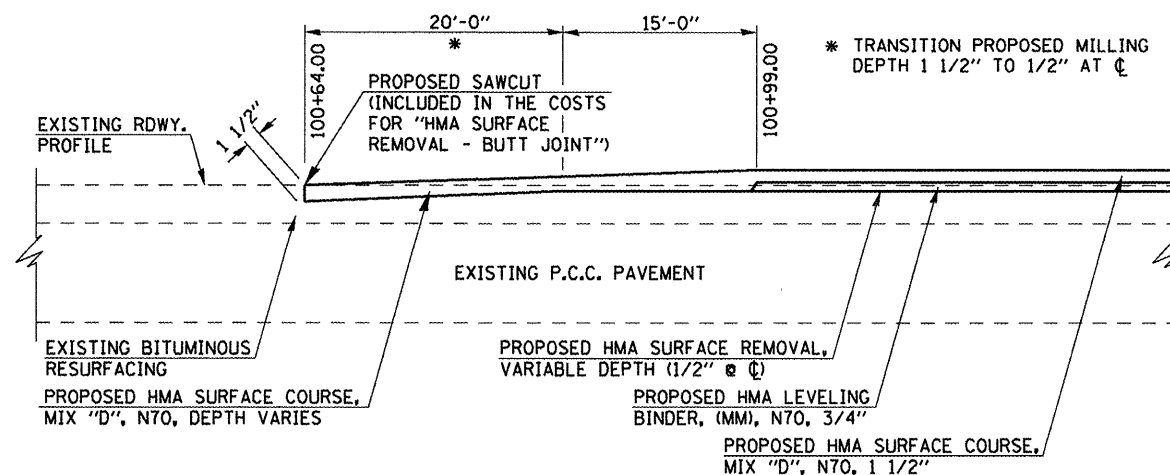


-- 325, 42
 ** (15, 21)RS-7, 22RS-4, 24RS-8

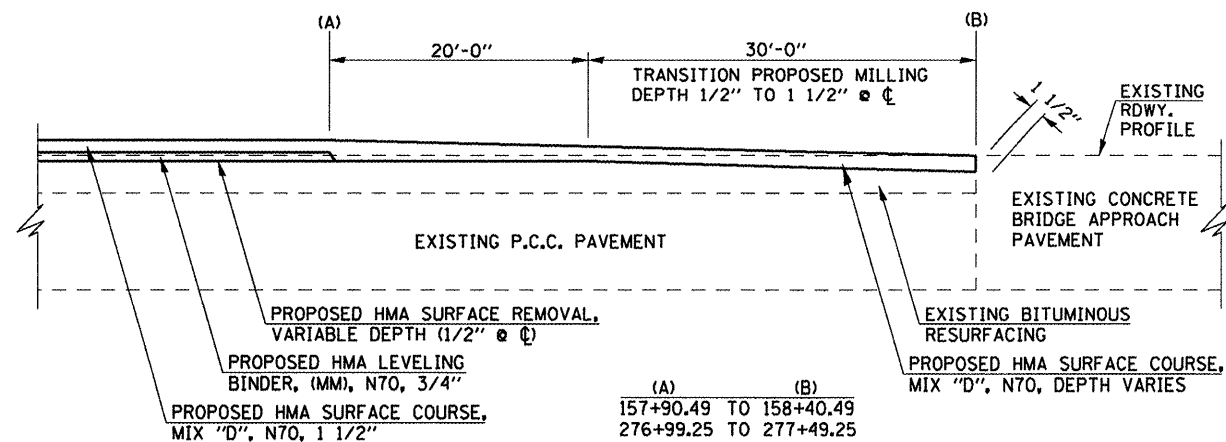
FILE NAME =	USER NAME = sparkgw	DESIGNED - RTS	REVISED -	STATE OF ILLINOIS DEPARTMENT OF TRANSPORTATION	PAVEMENT MARKING LAYOUT (IL 16 /IL 127 INTERSECTION)	F.A.P. RTE.	SECTION	COUNTY	TOTAL SHEETS	SHEET NO.	
c:\pwork\pwork\sparkgw\d0222005\0672067-ahk-pmk.dgn	2067-ahk-pmk.dgn	DRAWN - RTS	REVISED -			.	.	MONTGOMERY	80	64	
	PLT SCALE = 48.0000' / in.	CHECKED - RTS	REVISED -			CONTRACT NO. 72067					
	PLT DATE = Aug-25-2011 10:16:15AM	DATE - 06-16-11	REVISED -			SCALE:	SHEET NO. 4 OF 4 SHEETS	STA.	TO STA.	FED. ROAD DIST. NO.	ILLINOIS FED. AID PROJECT



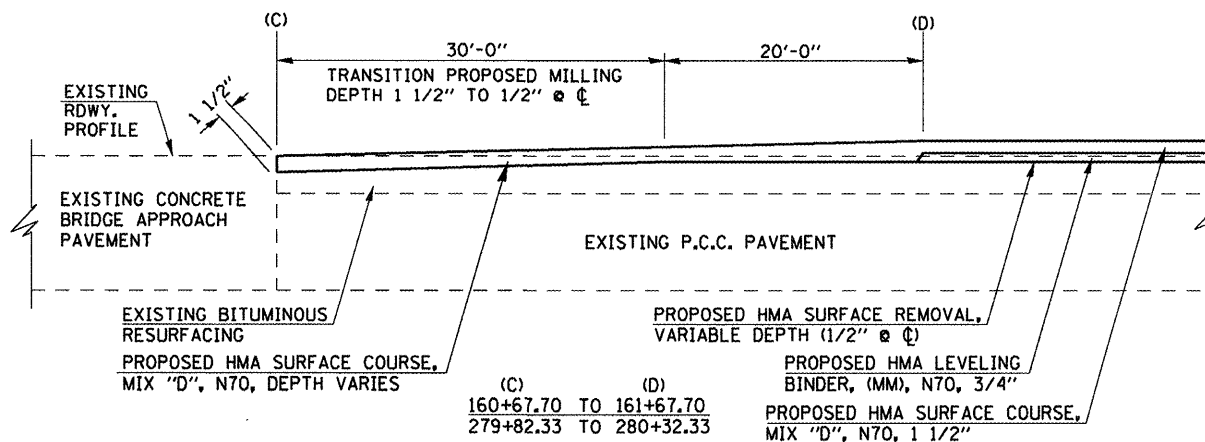
BEGINNING AND ENDING OF SECTION IN LITCHFIELD FOR IL RTE. 16
(STA. 923+67.05 AND STA. 19+97.28)



BEGINNING OF SECTION, EAST END OF LITCHFIELD ON IL RTE. 16
(STA. 100+64.00 TO STA. 100+99.00)



IL RTE. 16 OVER WEST FORK OF SHOAL CREEK AND BRUSH CREEK
(WEST SIDE OF BOTH STRUCTURES)



IL RTE. 16 OVER WEST FORK OF SHOAL CREEK AND BRUSH CREEK
(EAST SIDE OF BOTH STRUCTURES)

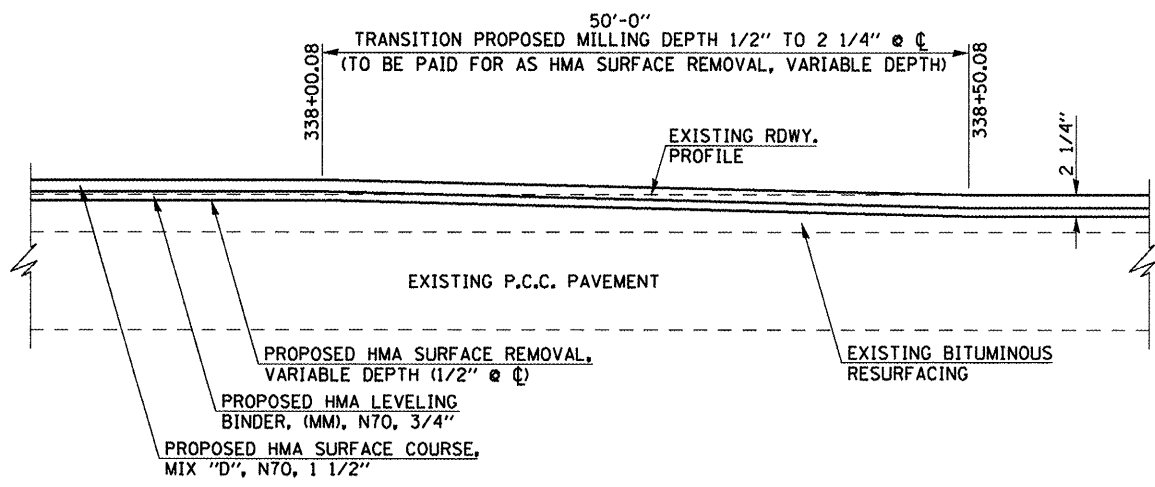
FILE NAME =	USER NAME = sparkagw	DESIGNED - RTS	REVISED -
o:\pwork\pwork\sparkagw\d0222005\0672067-sht-details.dgn		DRAWN - RTS	REVISED -
PLOT SCALE = 200.0000' / in.		CHECKED -	REVISED -
PLOT DATE = Aug-25-2011 10:16:19AM		DATE - 06-16-11	REVISED -

**STATE OF ILLINOIS
DEPARTMENT OF TRANSPORTATION**

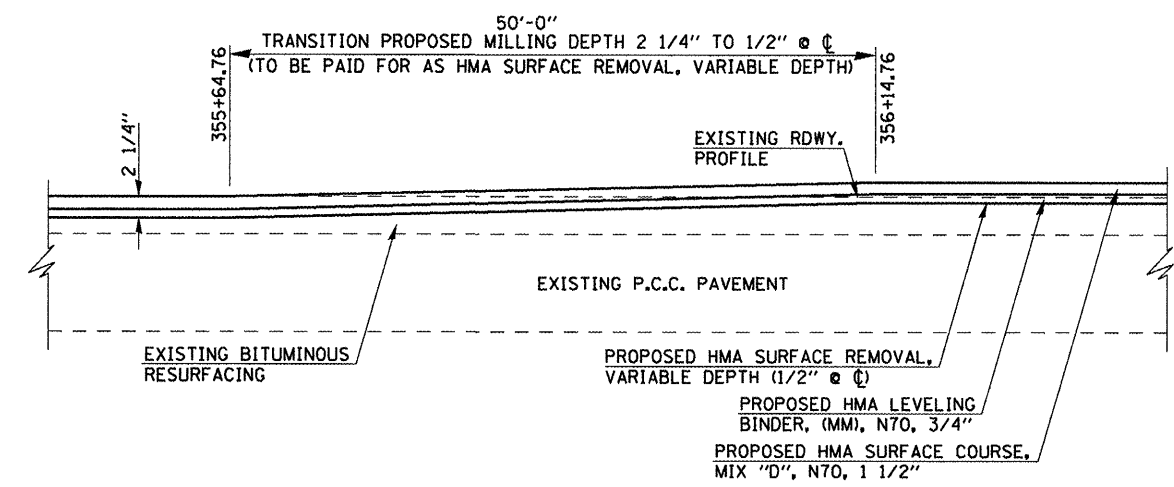
BUTT-JOINT DETAILS	
SCALE:	SHEET NO. 1 OF 2 SHEETS STA. TO STA.

F.A.P. RTE.	SECTION	COUNTY	TOTAL SHEETS	SHEET NO.
.	..	MONTGOMERY	80	65
CONTRACT NO.				
FED. ROAD DIST. NO. ILLINOIS FED. AID PROJECT				

-- 325, 42
-- (15, 21)RS-7, 22RS-4, 24RS-8

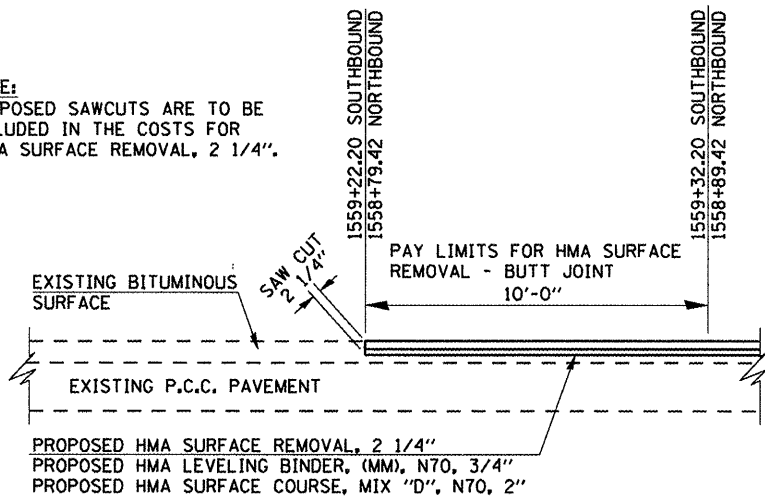


APPROXIMATELY 1,000' WEST OF THE IL 16 / IL 127 INTERSECTION

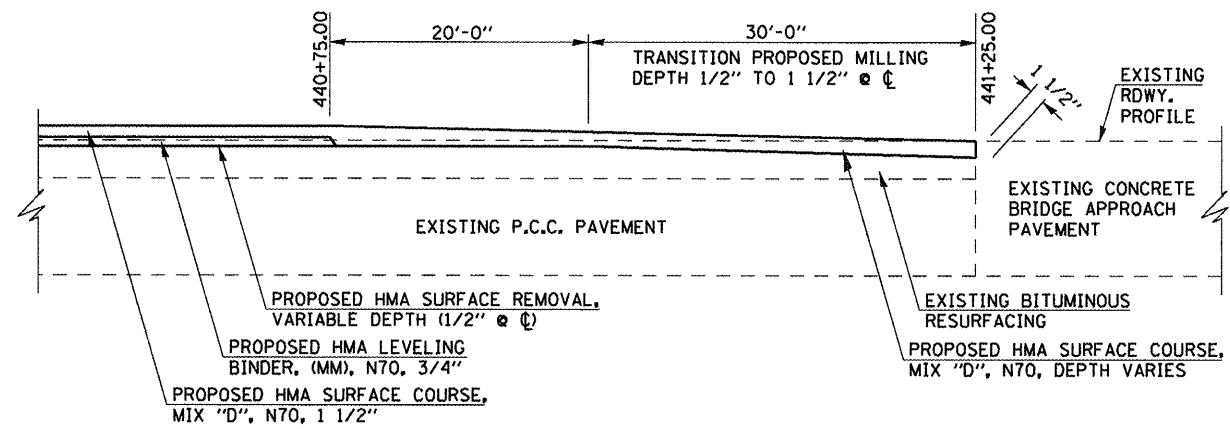


APPROXIMATELY 700' EAST OF THE IL 16 / IL 127 INTERSECTION

NOTE:
PROPOSED SAWCUTS ARE TO BE INCLUDED IN THE COSTS FOR "HMA SURFACE REMOVAL, 2 1/4".



BEGINNING OF SECTION FOR IL RTE. 127



**END OF PROJECT, STATION 441+25.00
IL RTE. 16 OVER MIDDLE FORK OF SHOAL CREEK
(WEST SIDE OF STRUCTURE)**

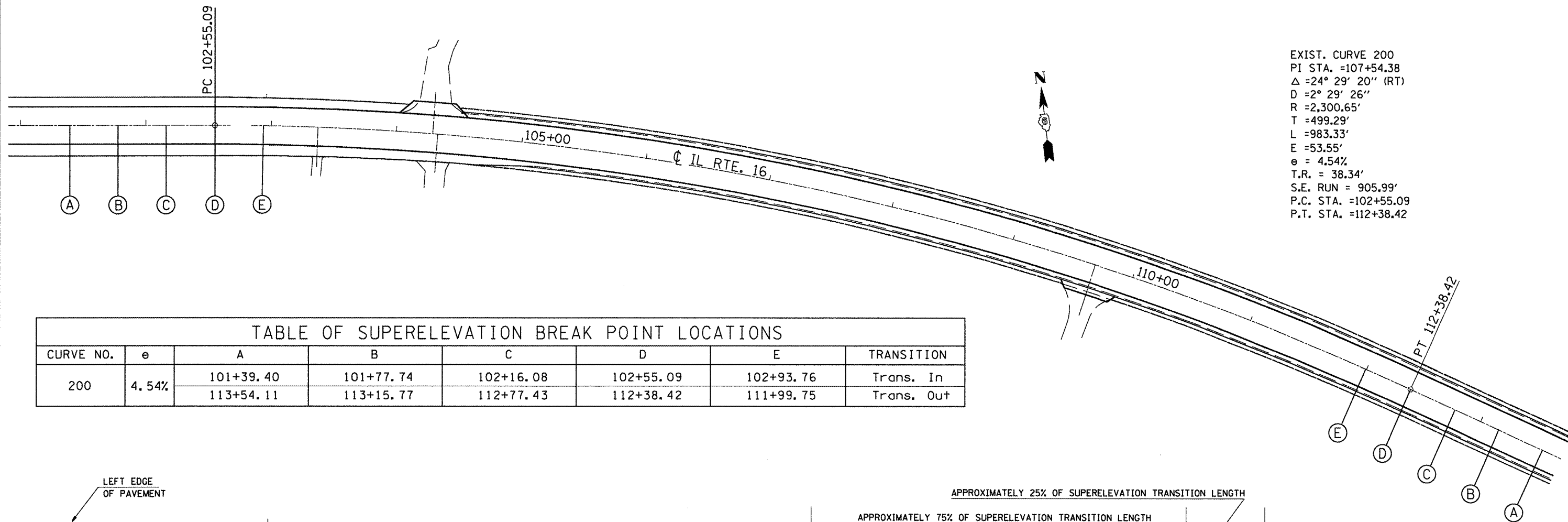
FILE NAME =	USER NAME = sparksgw	DESIGNED - RTS	REVISED -
c:\pwork\pwork\pwork\sparksgw\d0222005\0672067-sht-details.dgn		DRAWN - RTS	REVISED -
PLT SCALE = 200.0000' / in.		CHECKED -	REVISED -
PLT DATE = Aug-25-2011 10:16:20AM		DATE - 06-16-11	REVISED -

**STATE OF ILLINOIS
DEPARTMENT OF TRANSPORTATION**

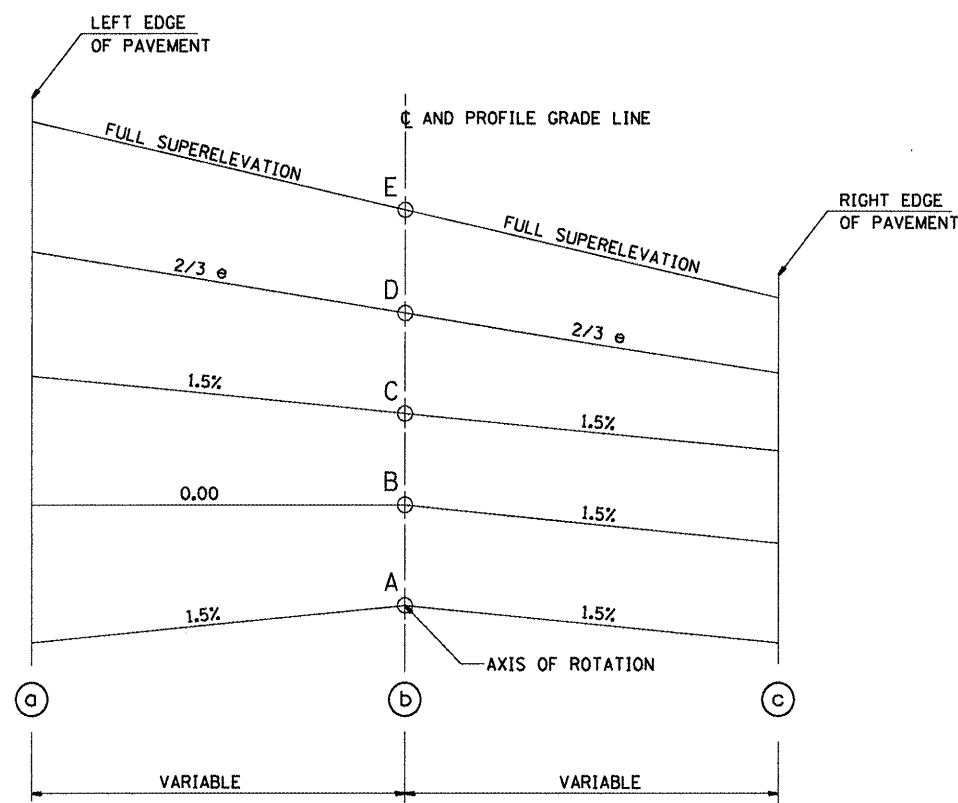
BUTT-JOINT DETAILS			
SCALE:	SHEET NO. 1 OF 2 SHEETS	STA.	TO STA.

F.A.P. RTE.	SECTION	COUNTY	TOTAL SHEETS	SHEET NO.
.	..	MONTGOMERY	80	66
CONTRACT NO.				
FED. ROAD DIST. NO. [ILLINOIS] FED. AID PROJECT				

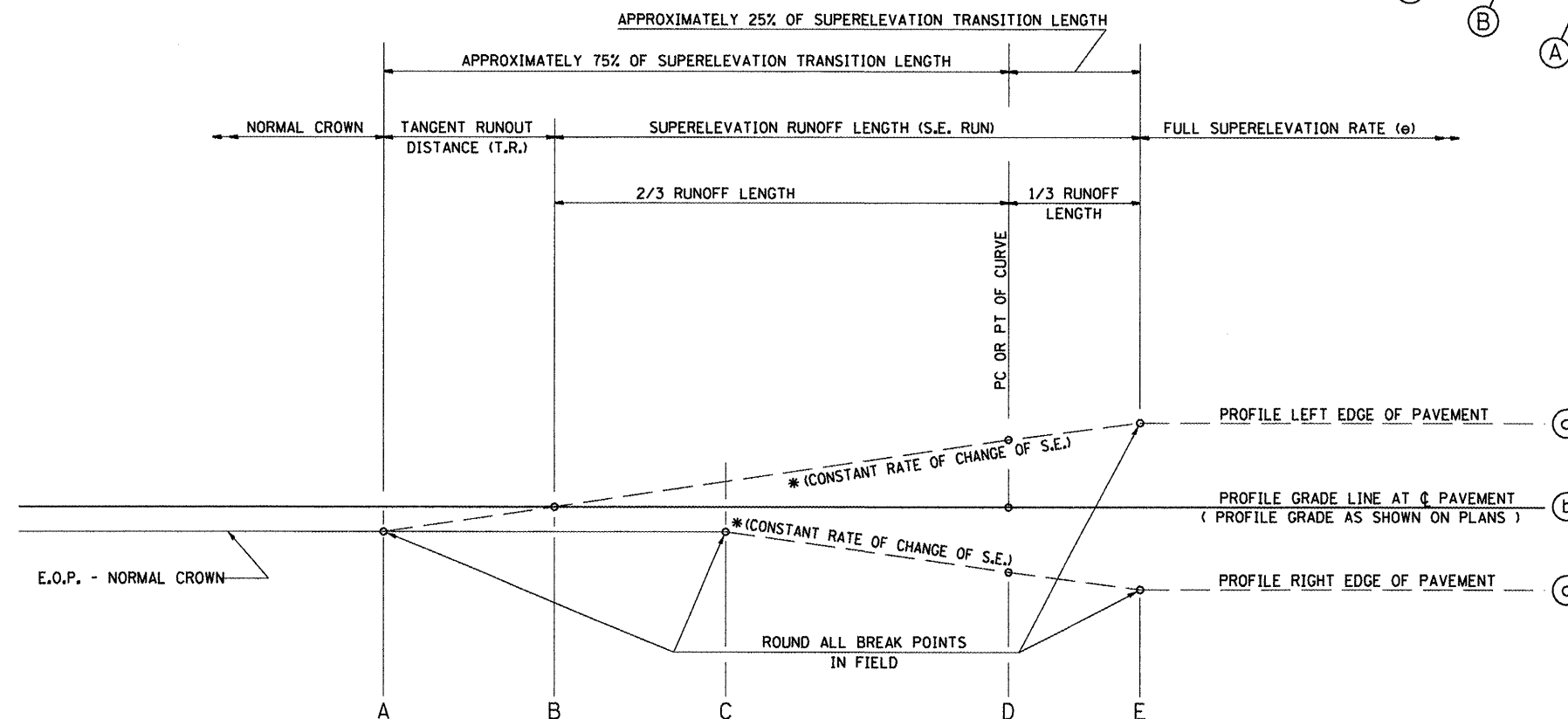
325, 42
15, 21)RS-7, 22RS-4, 24RS-8



CURVE NO.	e	A	B	C	D	E	TRANSITION
200	4.54%	101+39.40	101+77.74	102+16.08	102+55.09	102+93.76	Trans. In
		113+54.11	113+15.77	112+77.43	112+38.42	111+99.75	Trans. Out



TYPICAL CROSS SECTION - S.E. TRANSITION

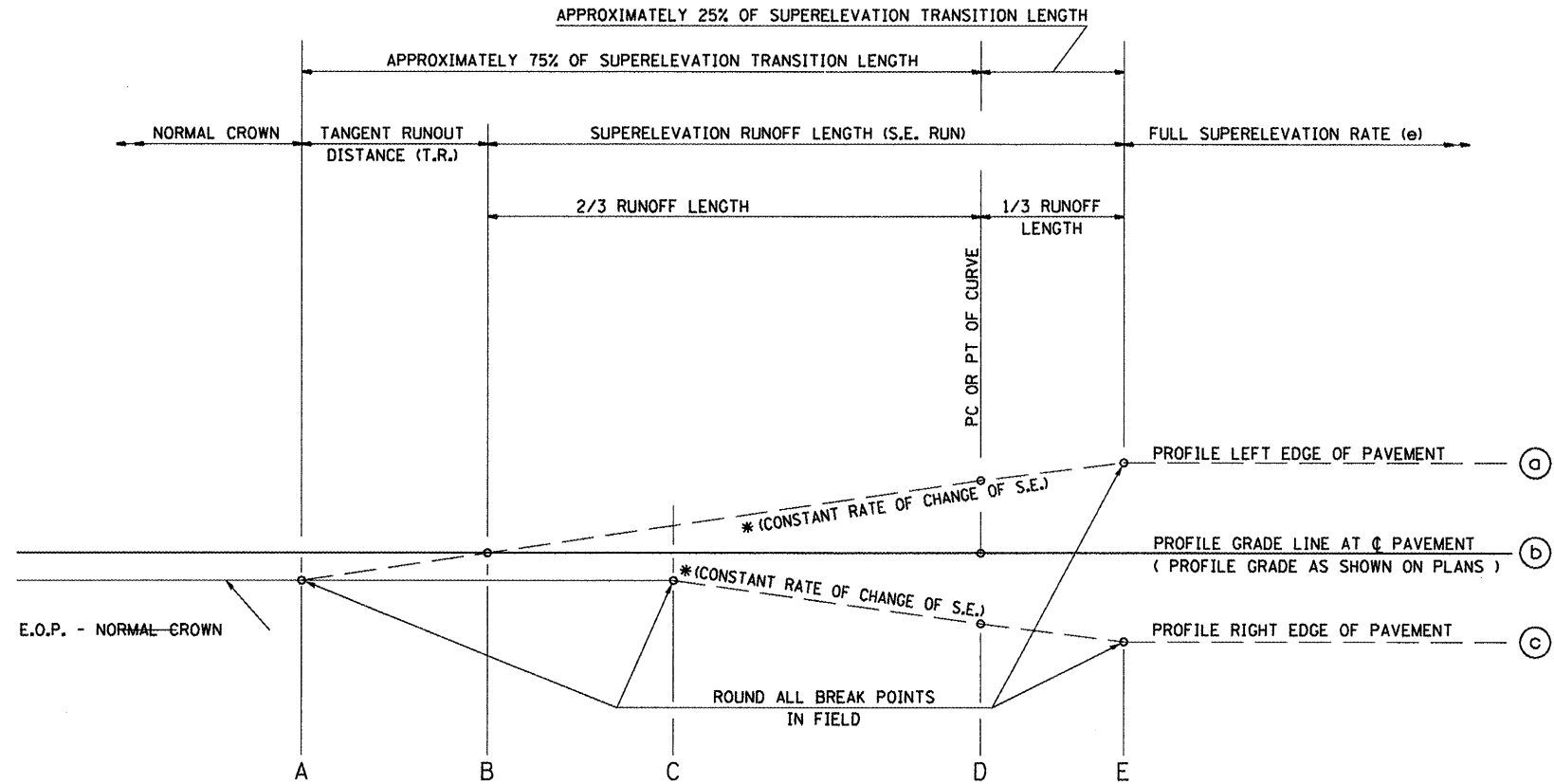


TYPICAL PROFILE - S.E. TRANSITION

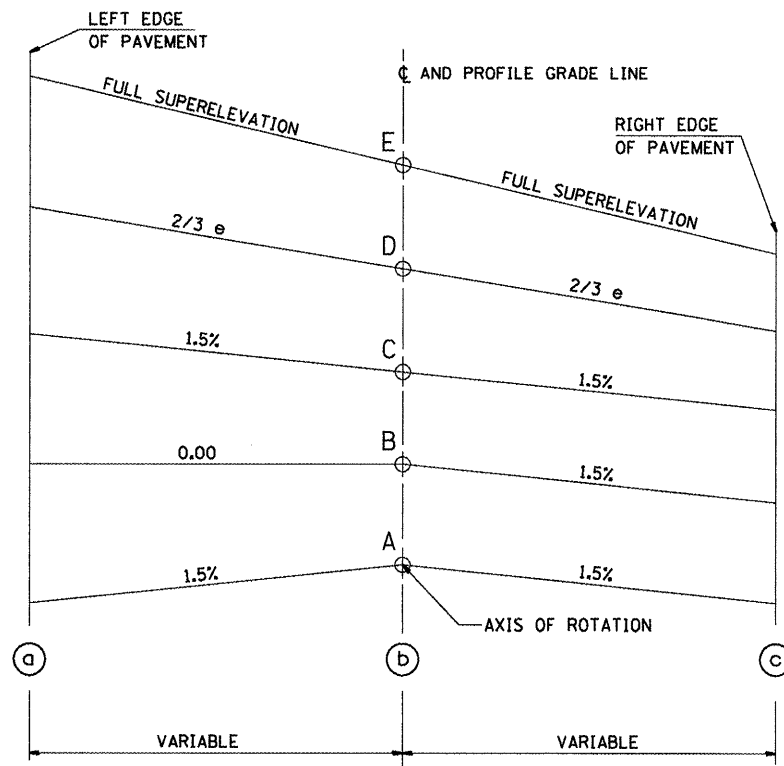
-- 325, 42
 --- (15, 21)RS-7, 22RS-4, 24RS-8

FILE NAME =	USER NAME = sparkgw	DESIGNED - RTS	REVISED -	STATE OF ILLINOIS DEPARTMENT OF TRANSPORTATION	SUPERELEVATION DETAILS			F.A.P. RTE.	SECTION	COUNTY	TOTAL SHEETS	SHEET NO.
o:\pwork\pwork\sparkgw\0222005\067	2067-sht-details.dgn	DRAWN - RTS	REVISED -		SCALE:	SHEET NO. 1 OF 3 SHEETS	STA.	TO STA.	MONTGOMERY	80	67	
	PLOT SCALE = 200.0000' / in.	CHECKED -	REVISED -		CONTRACT NO.							
	PLOT DATE = Aug-25-2011 10:16:20AM	DATE - 06-16-11	REVISED -		FED. ROAD DIST. NO. ILLINOIS FED. AID PROJECT							

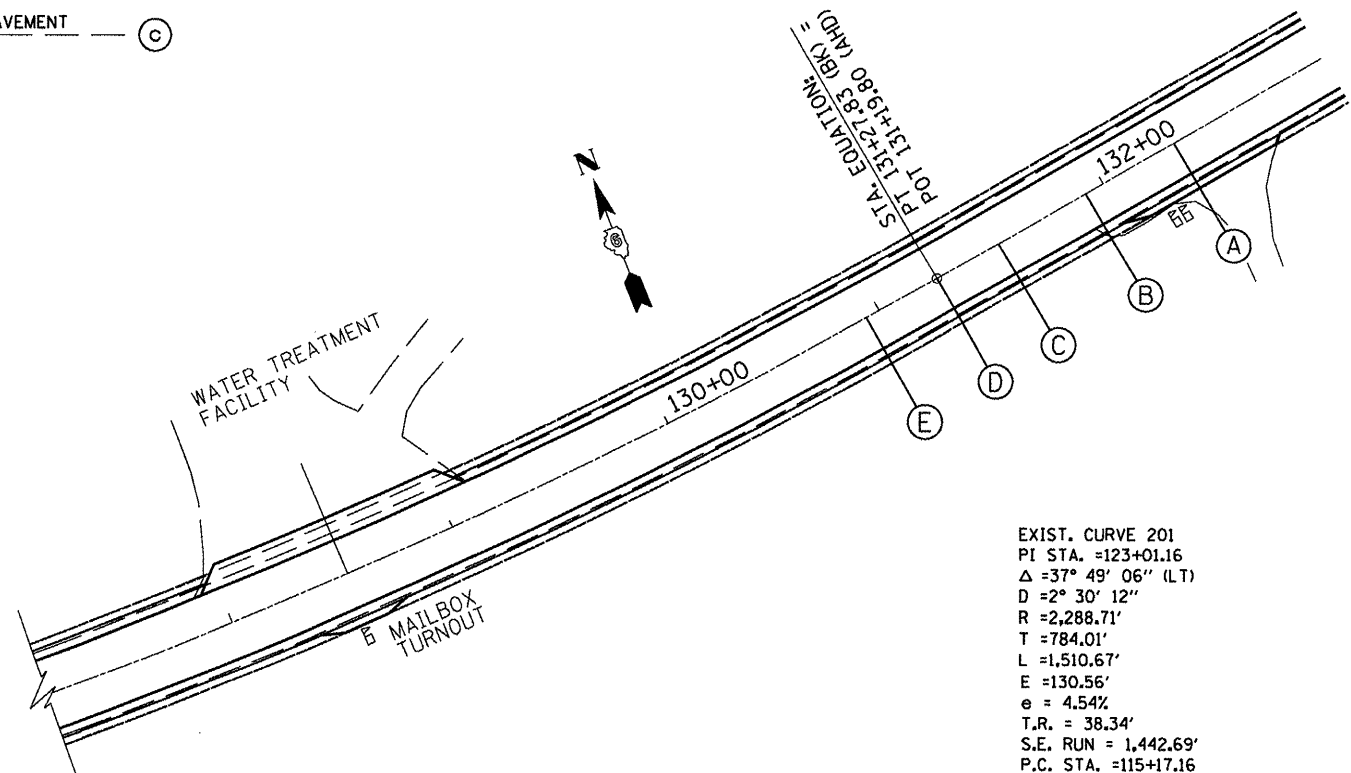
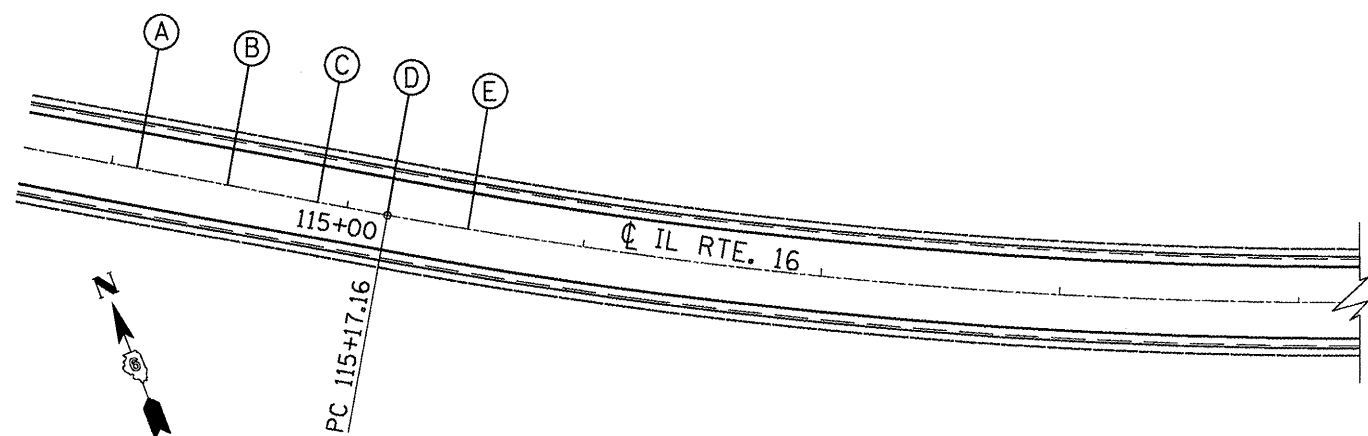
TABLE OF SUPERELEVATION BREAK POINT LOCATIONS							
CURVE NO.	e	A	B	C	D	E	TRANSITION
201	4.54%	114+10.85	114+49.19	114+87.53	115+17.16	115+51.15	Trans. In
		131+34.14	130+95.80	130+57.46	130+27.83	129+93.84	Trans. Out



TYPICAL PROFILE - S.E. TRANSITION



TYPICAL CROSS SECTION - S.E. TRANSITION

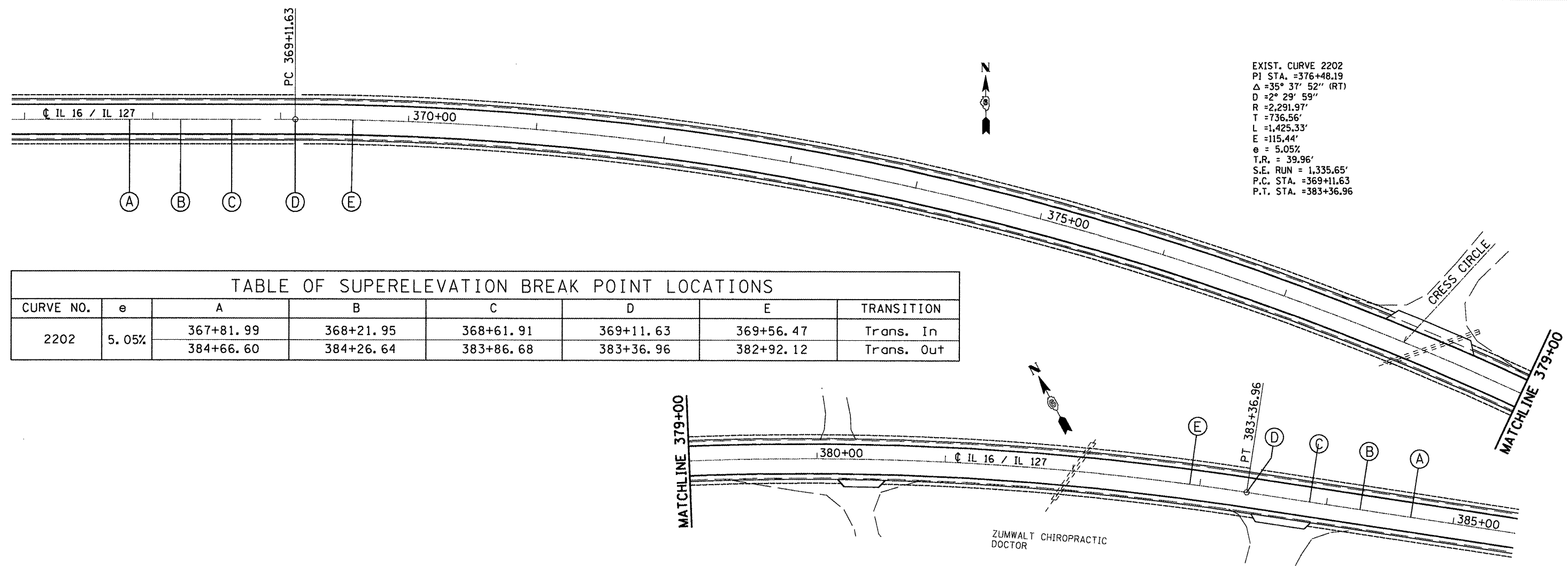


EXIST. CURVE 201
 PI STA. =123+01.16
 $\Delta = 37^\circ 49' 06''$ (LT)
 $D = 2^\circ 30' 12''$
 $R = 2,288.71'$
 $T = 784.01'$
 $L = 1,510.67'$
 $E = 130.56'$
 $e = 4.54\%$
 $T.R. = 38.34'$
 $S.E. RUN = 1,442.69'$
 $P.C. STA. = 115+17.16$
 $P.T. STA. = 130+27.83$

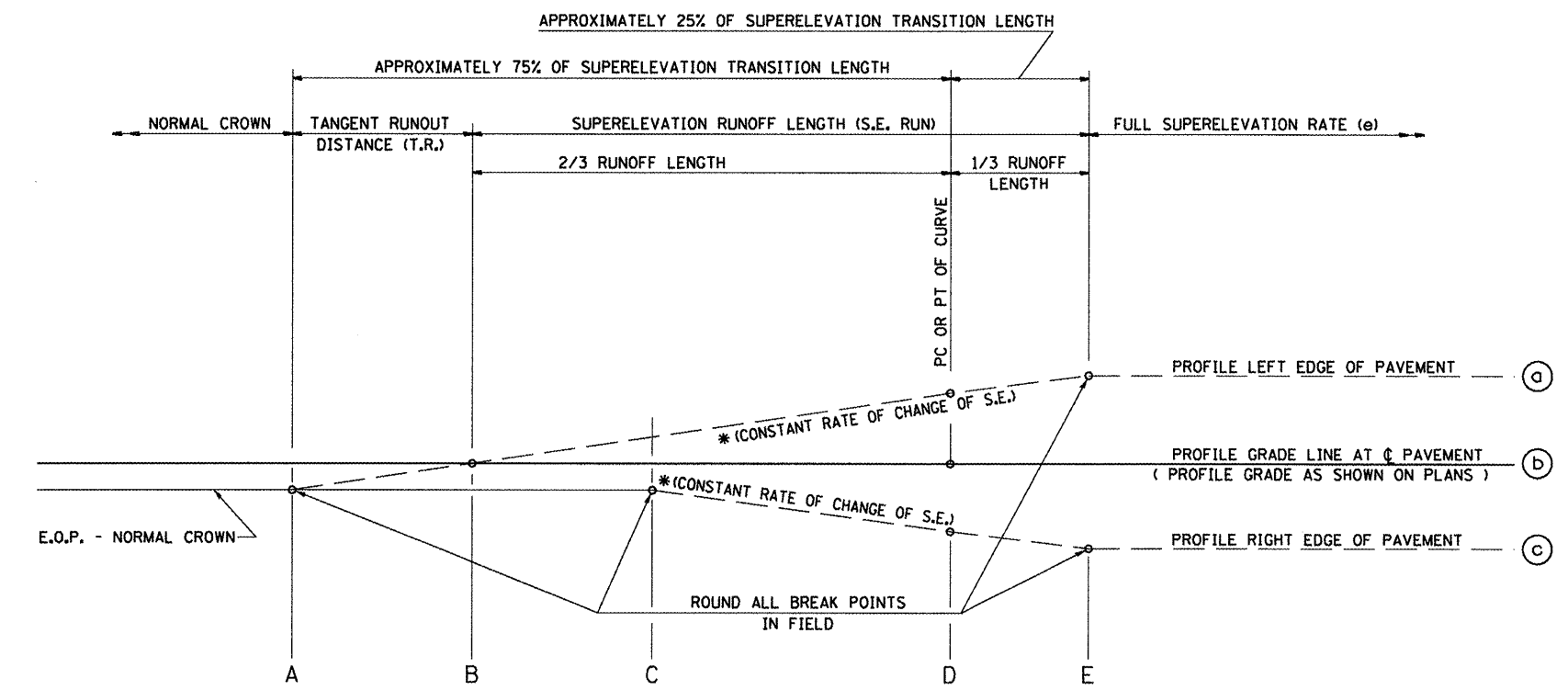
-- 325, 42
 -- (15, 21)RS-7, 22RS-4, 24RS-8

FILE NAME =	USER NAME = sparksgw	DESIGNED - RTS	REVISED -	STATE OF ILLINOIS DEPARTMENT OF TRANSPORTATION	SUPERELEVATION DETAILS		F.A.P. RTE.	SECTION	COUNTY	TOTAL SHEETS	SHEET NO.
01\pwork\pwork\sparksgw\09222005\0672067-sht-details.dgn		DRAWN - RTS	REVISED -		SCALE:	SHEET NO. 2 OF 3 SHEETS	STA.	TO STA.	MONTGOMERY	80	68
		CHECKED -	REVISED -						CONTRACT NO.		
		DATE - 06-16-11	REVISED -						FED. ROAD DIST. NO. ILLINOIS FED. AID PROJECT		

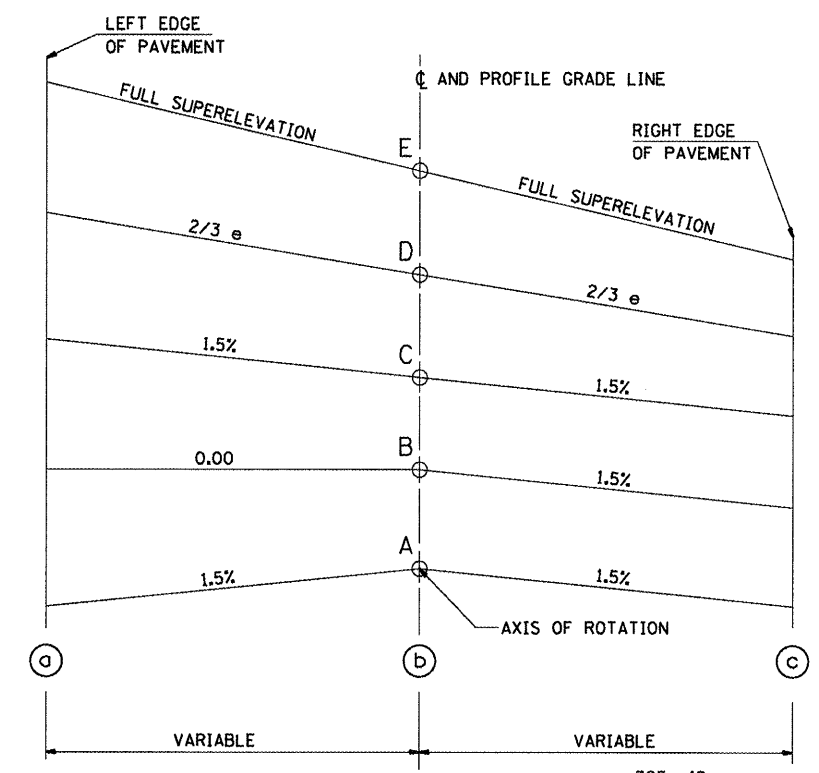
EXIST. CURVE 2202
 P.I. STA. = 376+48.19
 $\Delta = 35^\circ 37' 52''$ (RT)
 $D = 2^\circ 29' 59''$
 $R = 2,291.97'$
 $T = 736.56'$
 $L = 1,425.33'$
 $E = 115.44'$
 $e = 5.05\%$
 $T.R. = 39.96'$
 $S.E. RUN = 1,335.65'$
 P.C. STA. = 369+11.63
 P.T. STA. = 383+36.96



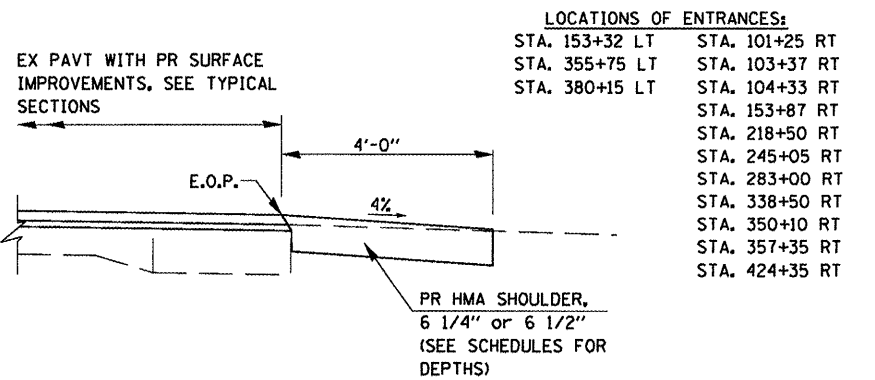
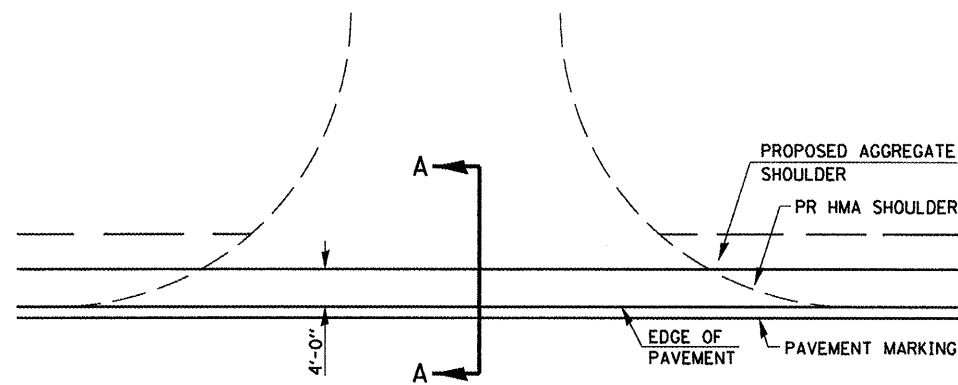
CURVE NO.	e	A	B	C	D	E	TRANSITION
2202	5.05%	367+81.99	368+21.95	368+61.91	369+11.63	369+56.47	Trans. In
		384+66.60	384+26.64	383+86.68	383+36.96	382+92.12	Trans. Out



TYPICAL PROFILE - S.E. TRANSITION



-- 325, 42
 -- (15, 21)RS-7, 22RS-4, 24RS-8



SECTION A-A FOR EX EARTH/AGGREGATE PE, FE
(NO PROPOSED ENTRANCE WORK)

- LOCATIONS OF ENTRANCES:**
- | | |
|----------------|----------------|
| STA. 153+32 LT | STA. 101+25 RT |
| STA. 355+75 LT | STA. 103+37 RT |
| STA. 380+15 LT | STA. 104+33 RT |
| | STA. 153+87 RT |
| | STA. 218+50 RT |
| | STA. 245+05 RT |
| | STA. 283+00 RT |
| | STA. 338+50 RT |
| | STA. 350+10 RT |
| | STA. 357+35 RT |
| | STA. 424+35 RT |

GENERAL NOTES:

THE RESIDENT ENGINEER WILL DETERMINE THE EXACT TYPE OF IMPROVEMENT TO BE COMPLETED FOR ALL ENTRANCES, SIDEROADS AND MAILBOX TURNOUTS ON THIS PROJECT.

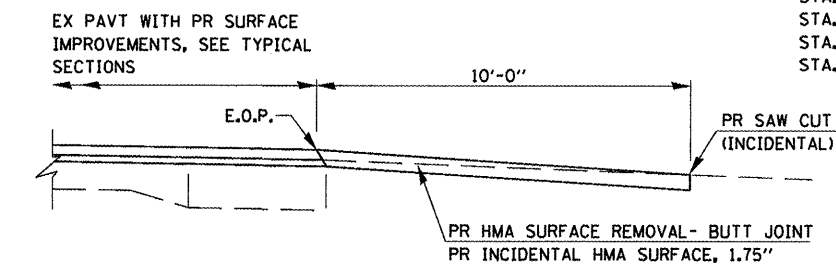
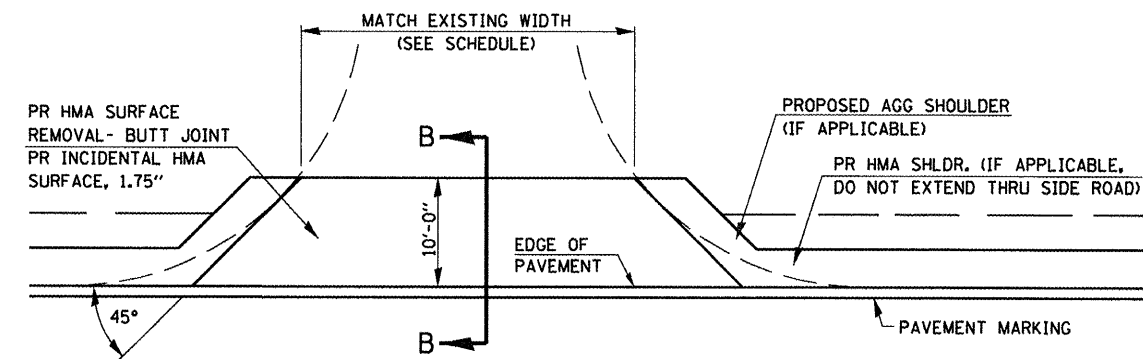
THE PLAN DETAILS AND SCHEDULES SHOULD BE USED AS A GUIDE FOR THE ENGINEER TO IMPLEMENT THE FINAL DESIGN. THE ENGINEER MAY DECIDE TO SALVAGE PORTIONS OF THE EXISTING PAVEMENT STRUCTURE; THEREFORE, REDUCING PAY ITEM QUANTITIES. NO ADDITIONAL PAYMENT WILL BE ALLOWED FOR THIS REDUCTION IN QUANTITIES.

ANY WORK THE ENGINEER REQUIRES WHICH IS NOT COVERED BY A PAY ITEM CONTAINED IN THE PLANS WILL BE PAID FOR IN ACCORDANCE WITH ARTICLE 109.04 OF THE STANDARD SPECIFICATIONS.

HOT-MIX ASPHALT REQUIRED TO CONSTRUCT THE ENTRANCES SHALL BE IN ACCORDANCE WITH THE APPLICABLE PORTIONS OF SECTION 406 AND 408 OF THE STANDARD SPECIFICATIONS AND AS DIRECTED BY THE ENGINEER.

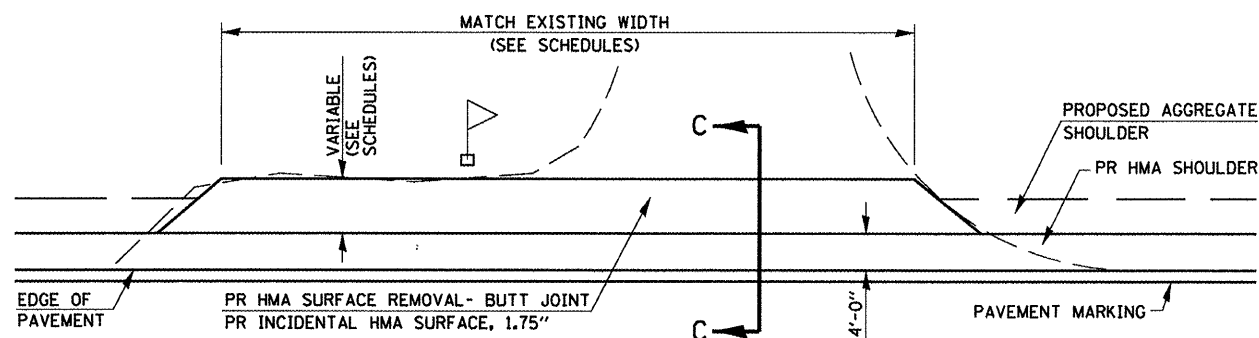
WHEN THE HOT-MIX ASPHALT PROPOSED FOR THE IMPROVEMENT IS THICKER THAN 75 mm (3 INCHES) AND REQUIRE PLACEMENT IN MORE THAN ONE LIFT. THE BOTTOM LIFT(S) SHALL MEET THE REQUIREMENTS OF HMA BASE COURSE IN SECTION 406 OF THE STANDARD SPECIFICATIONS AND THE TOP LIFT OF 50 mm (2 INCHES) SHALL MEET THE REQUIREMENTS OF INCIDENTAL HOT-MIX ASPHALT SURFACING.

THIS WORK WILL BE PAID FOR IN ACCORDANCE WITH SECTIONS 351, 358, 408, 423 AND 440 OF THE STANDARD SPECIFICATIONS.

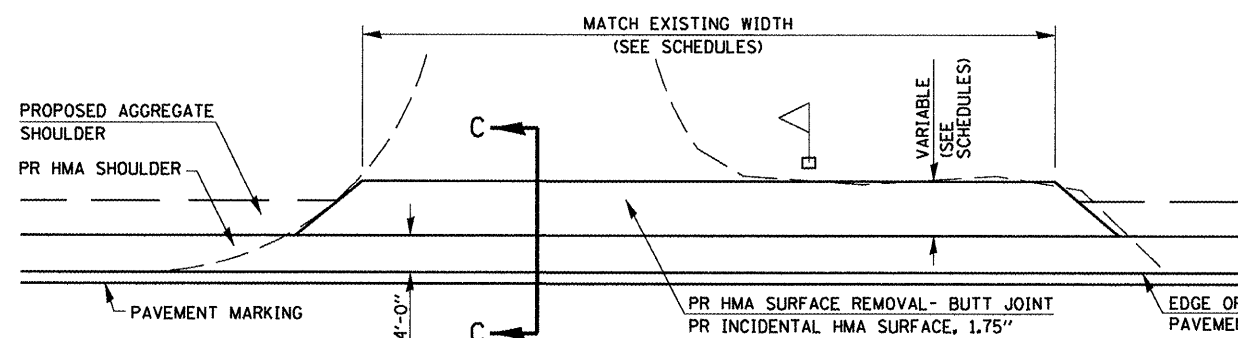


SECTION B-B FOR HMA CE, PE, & SIDE ROAD

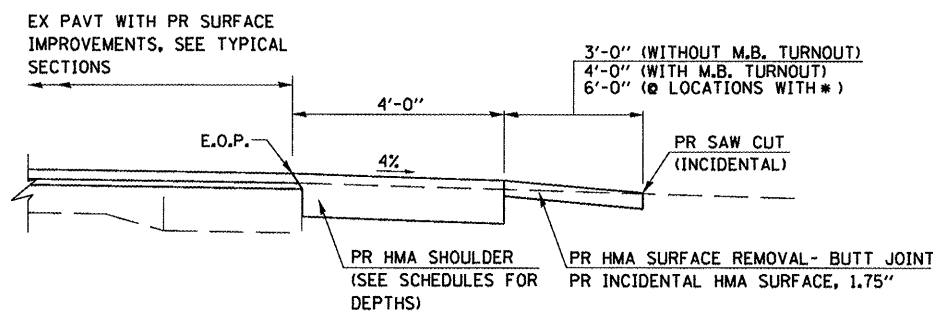
- LOCATIONS OF ENTRANCES:**
- | | |
|----------------|----------------|
| STA. 104+29 LT | STA. 122+32 RT |
| STA. 125+59 LT | STA. 179+69 RT |
| STA. 128+52 LT | STA. 205+66 RT |
| STA. 216+50 LT | STA. 230+04 RT |
| STA. 295+75 LT | STA. 231+05 RT |
| STA. 378+00 LT | STA. 233+15 RT |
| STA. 422+50 LT | STA. 311+01 RT |
| | STA. 363+15 RT |
| | STA. 380+35 RT |
| | STA. 383+75 RT |
| | STA. 422+45 RT |



ENTRANCE WITH TRAILING SIDE MAILBOX



ENTRANCE WITH LEADING SIDE MAILBOX

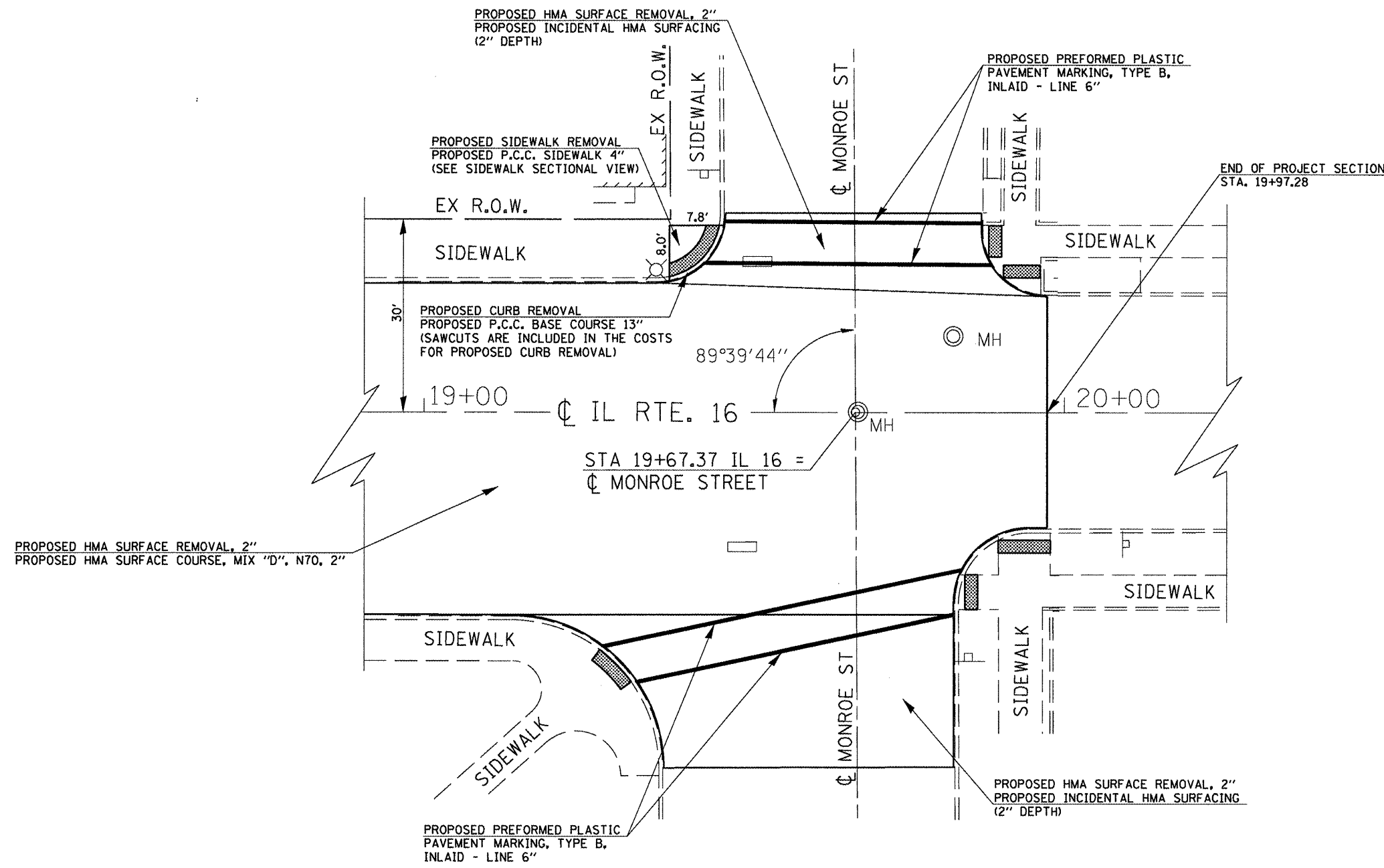


SECTION C-C FOR EX HMA PE
(WITH OR WITHOUT MAILBOX TURNOUT)

- LOCATIONS OF ENTRANCES:**
- | | |
|------------------|------------------|
| STA. 184+53 LT | STA. 109+68 RT |
| STA. 184+86 LT | STA. 125+59 RT |
| STA. 192+89 LT | STA. 128+52 RT |
| STA. 205+66 LT | STA. 132+46 RT |
| STA. 206+80 LT | STA. 177+23 RT * |
| STA. 223+50 LT | STA. 184+81 RT |
| STA. 243+12 LT * | STA. 190+18 RT |
| STA. 245+10 LT | STA. 192+58 RT |
| STA. 246+20 LT | STA. 194+37 RT |
| STA. 253+12 LT | STA. 197+70 RT |
| STA. 269+45 LT | STA. 258+65 RT |
| STA. 274+25 LT | STA. 268+50 RT |
| STA. 425+76 LT | STA. 271+80 RT |
| | STA. 292+05 RT |
| | STA. 295+75 RT |
| | STA. 307+00 RT |
| | STA. 326+51 RT |

-- 325, 42
 ** (15, 21)RS-7, 22RS-4, 24RS-8

FILE NAME =	USER NAME = sparksgw	DESIGNED - RTS	REVISED -	STATE OF ILLINOIS DEPARTMENT OF TRANSPORTATION	ENTRANCE DETAILS	F.A.P. RTE.	SECTION	COUNTY	TOTAL SHEETS	SHEET NO.	
c:\pwork\pwork\sparksgw\d2222085\0672067-sht-details.dgn		DRAWN - RTS	REVISED -			*	**	MONTGOMERY	80	70	
PLOT SCALE = 200.0000' / in.		CHECKED -	REVISED -			CONTRACT NO.					
PLOT DATE = Aug-25-2011 10:16:21AM		DATE - 06-16-11	REVISED -			FED. ROAD DIST. NO. ILLINOIS FED. AID PROJECT					
				SCALE:	SHEET NO. 1 OF 2 SHEETS	STA.	TO STA.				



■ - PROPOSED DETECTABLE WARNING

SCHEDULE OF QUANTITIES

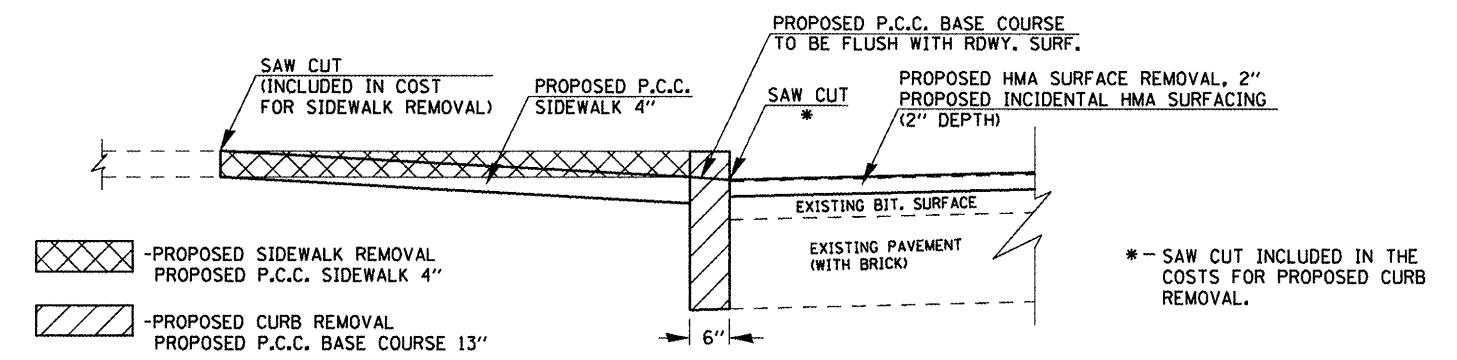
DETECTABLE WARNINGS:
 NORTHWEST QUADRANT = 20.5 SQUARE FEET
 NORTHEAST QUADRANT = 20.4 SQUARE FEET
 SOUTHEAST QUADRANT = 27.0 SQUARE FEET
 SOUTHWEST QUADRANT = 13.5 SQUARE FEET
 TOTAL = 81.4 SQUARE FEET

SIDEWALK REMOVAL:
 NORTHWEST QUADRANT = 44.0 SQUARE FEET
 TOTAL = 44.0 SQUARE FEET

CURB REMOVAL:
 NORTHWEST QUADRANT = 12.0 FEET
 TOTAL = 12.0 FEET

PORTLAND CEMENT CONCRETE BASE COURSE 13":
 NORTHWEST QUADRANT = 0.7 SQUARE FEET
 TOTAL = 0.7 SQUARE FEET

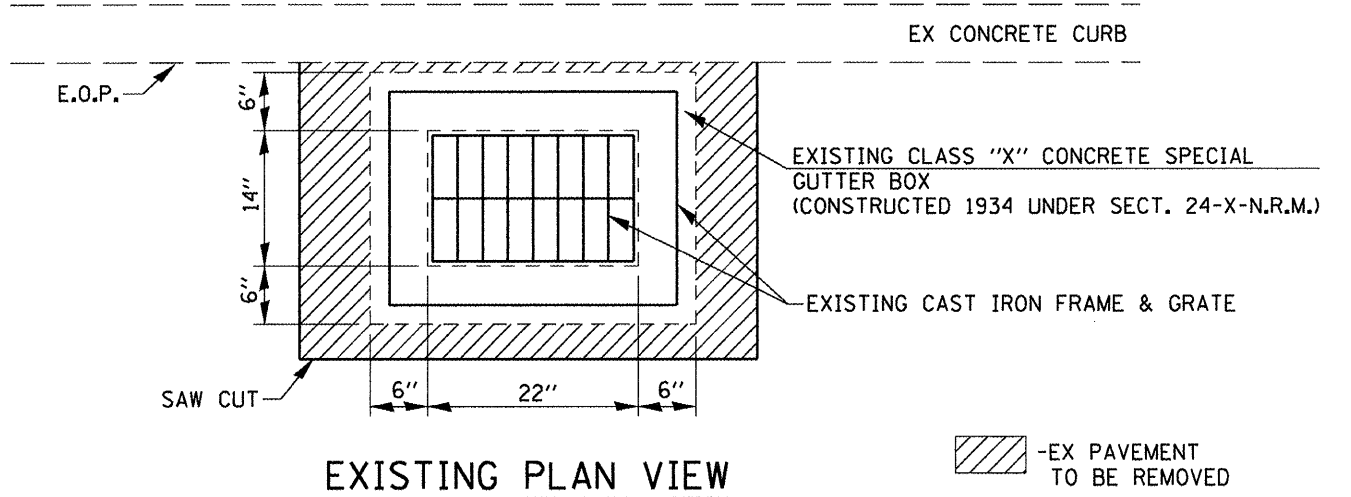
PORTLAND CEMENT CONCRETE SIDEWALK 4":
 NORTHWEST QUADRANT = 23.5 SQUARE FEET
 TOTAL = 23.5 SQUARE FEET



SIDEWALK SECTIONAL VIEW

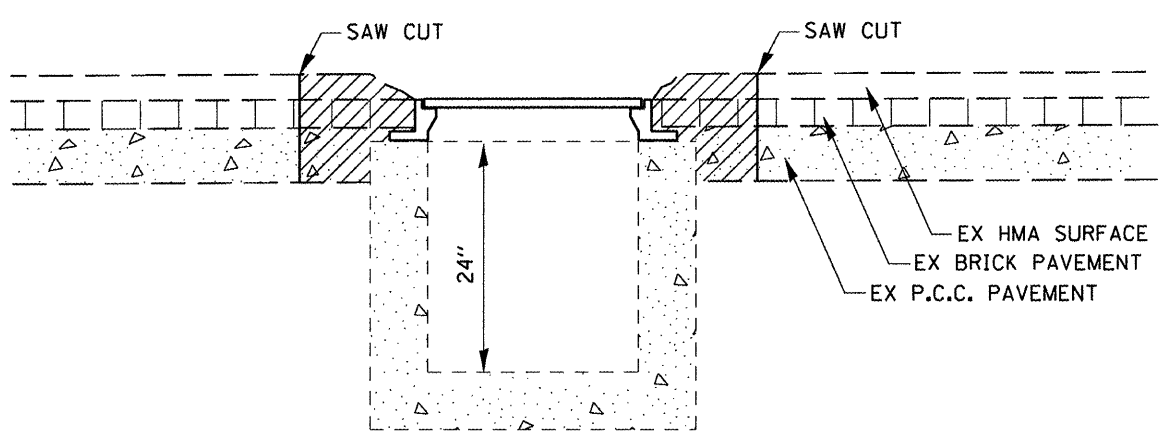
-- 325, 42
 -- (15, 21)RS-7, 22RS-4, 24RS-8

FILE NAME =	USER NAME = sparksgw	DESIGNED - RTS	REVISED -	STATE OF ILLINOIS DEPARTMENT OF TRANSPORTATION	SIDEWALK RAMP & DETECTABLE WARNINGS	F.A.P. RTE.	SECTION	COUNTY	TOTAL SHEETS	SHEET NO.	
c:\pr-work\pwidot\sparksgw\0022005\0672067-ahd-details.dgn	DRAWN - RTS	REVISED -							MONTGOMERY	80	71
PLOT SCALE = 200.0000 ' / in.	CHECKED -	REVISED -				SCALE:	SHEET NO. 1 OF 1 SHEETS	STA.	TO STA.	CONTRACT NO.	
PLOT DATE = Aug-25-2011 10:16:22AM	DATE - 07-12-11	REVISED -				FED. ROAD DIST. NO.		ILLINOIS FED. AID PROJECT			

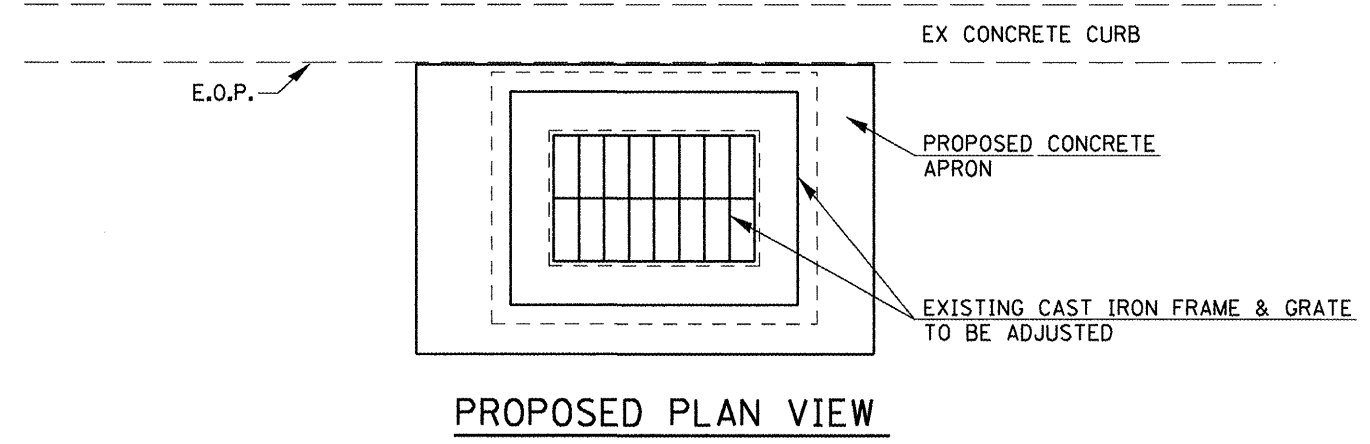


EXISTING PLAN VIEW

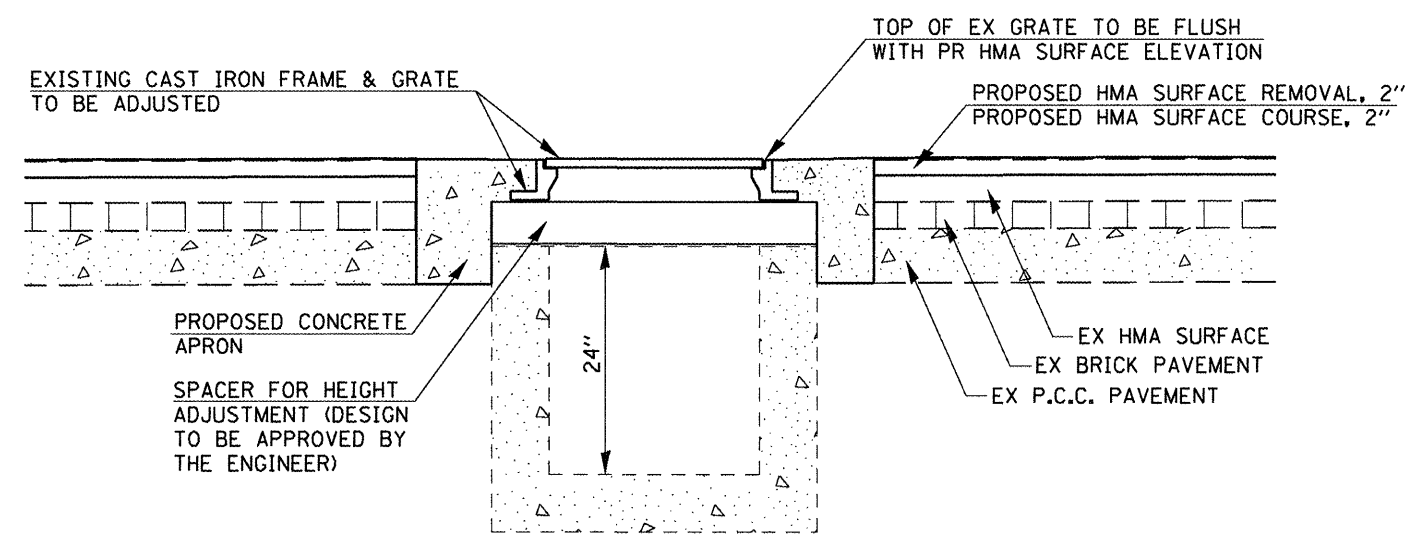
▨ -EX PAVEMENT TO BE REMOVED



EXISTING ELEVATION VIEW



PROPOSED PLAN VIEW



PROPOSED ELEVATION VIEW

NOTES:

THE SIZE AND SHAPE OF PROPOSED PAVEMENT REMOVAL AROUND EACH EXISTING INLET SHALL BE DETERMINED BY THE ENGINEER.

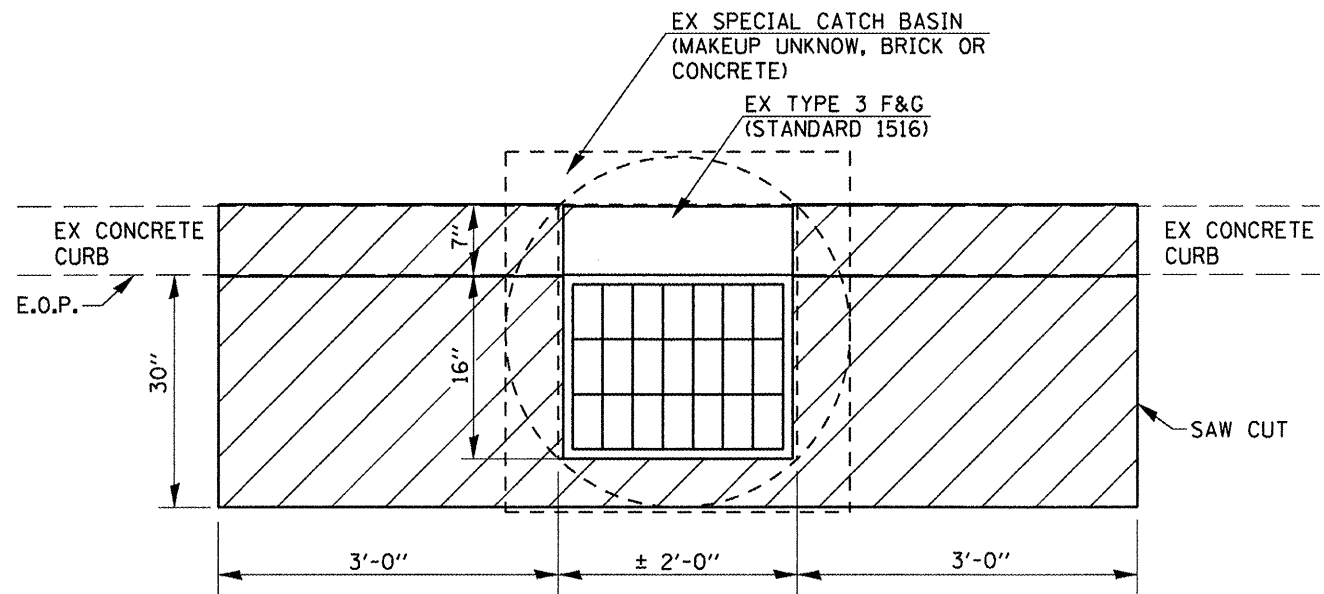
PROPOSED SAW CUTS, PAVEMENT REMOVAL, CURB REMOVAL, CONCRETE APRONS, AND INLET SPACERS ARE ALL INCLUDED IN THE COSTS FOR "FRAMES AND GRATES TO BE ADJUSTED".

REFER TO ARTICLE 603.03 OF THE STANDARD SPECIFICATIONS FOR ROAD & BRIDGE CONSTRUCTION FOR FURTHER CONSTRUCTION REQUIREMENTS.

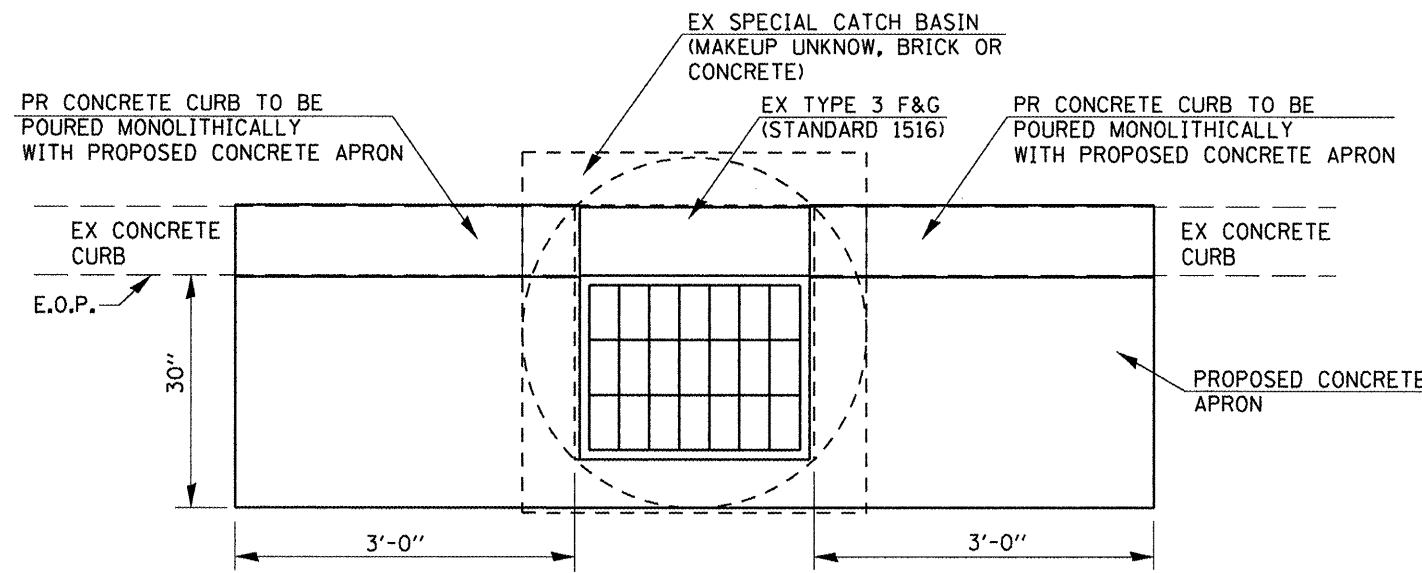
FRAMES & GRATES TO BE ADJUSTED	
LOCATION	QUANTITY
STA. 5+30, 17' RT.	1 EACH
STA. 7+30, 17' RT.	1 EACH
STA. 7+83, 17' LT.	1 EACH
STA. 16+76 19' LT.	1 EACH
TOTAL:	4 EACH

-- 325, 42
 -- (15, 21)RS-7, 22RS-4, 24RS-8

FILE NAME =	USER NAME = sparksgw	DESIGNED - RTS	REVISED -	STATE OF ILLINOIS DEPARTMENT OF TRANSPORTATION	FRAME & GRATE ADJUSTMENTS			F.A.P. RTE.	SECTION	COUNTY	TOTAL SHEETS	SHEET NO.	
c:\pwork\pwork\sparksgw\0222005\0672067-ahd-details.dgn	DRAWN - RTS	REVISED -											
	PLOT SCALE = 200.0000' / in.	CHECKED -	REVISED -		SCALE:	SHEET NO. 1 OF 2 SHEETS	STA.	TO STA.			MONTGOMERY	80	72
	PLOT DATE = Aug-25-2011 10:16:22AM	DATE - 07-19-11	REVISED -						FED. ROAD DIST. NO.	ILLINOIS FED. AID PROJECT			

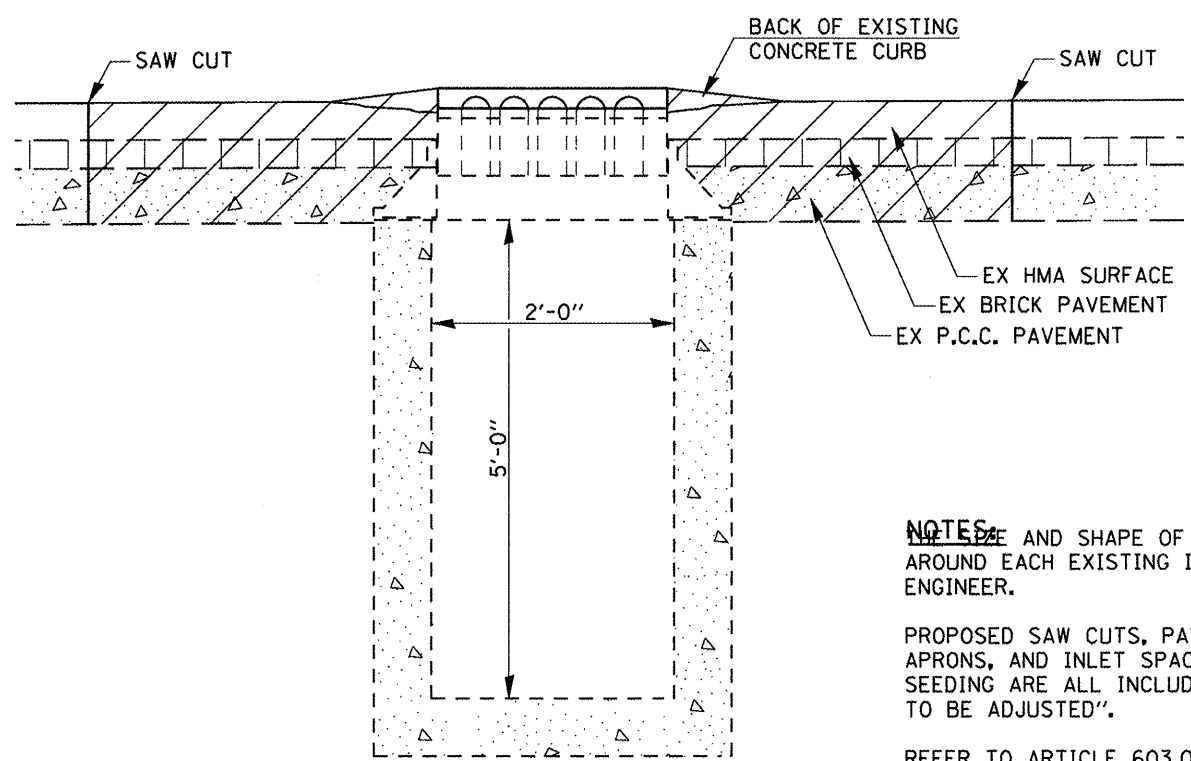


EXISTING PLAN VIEW

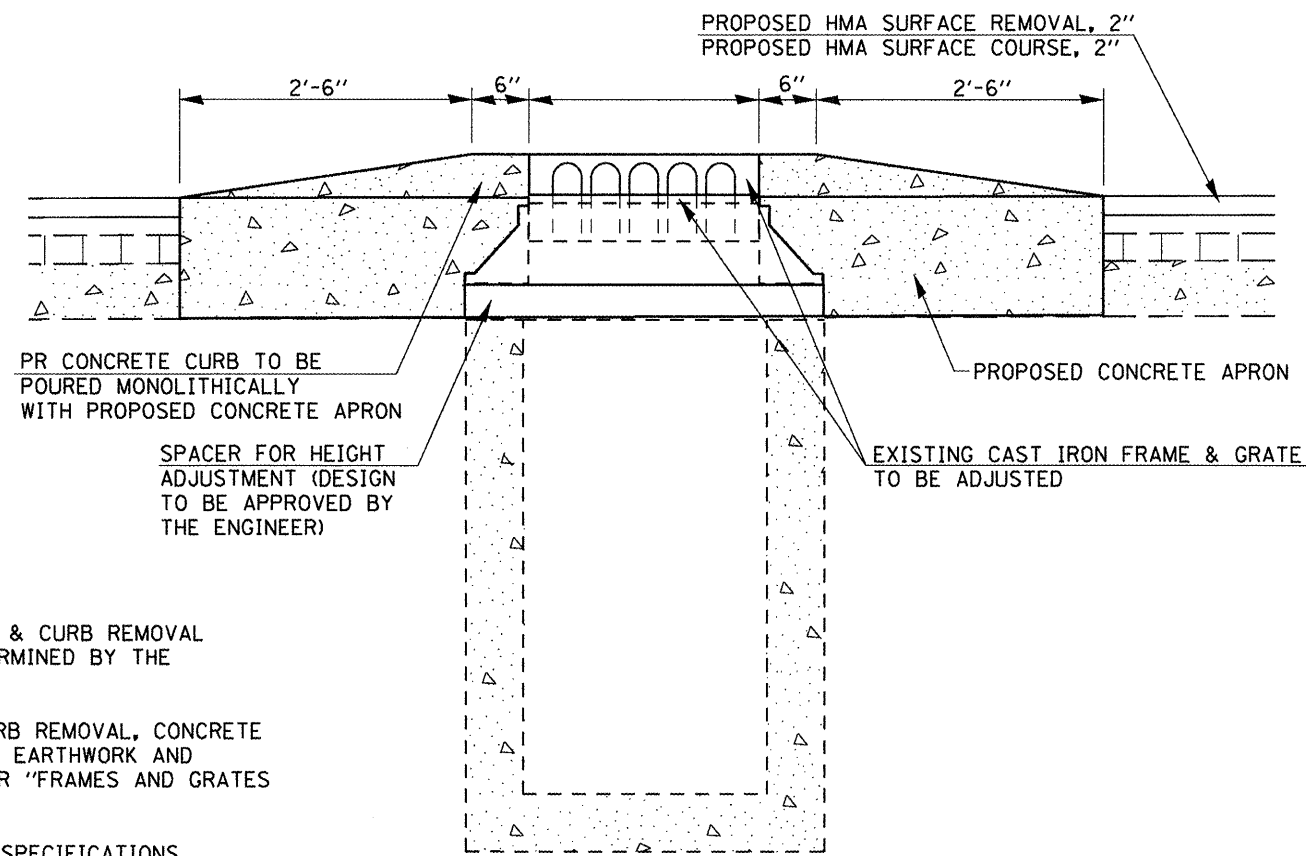


PROPOSED PLAN VIEW

-EX PAVEMENT & CURB TO BE REMOVED



EXISTING ELEVATION VIEW



PROPOSED ELEVATION VIEW

NOTES:
 1. LOCATION AND SHAPE OF PROPOSED PAVEMENT & CURB REMOVAL AROUND EACH EXISTING INLET SHALL BE DETERMINED BY THE ENGINEER.

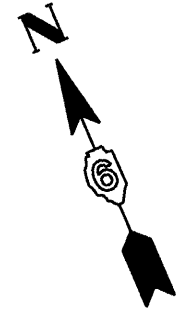
2. PROPOSED SAW CUTS, PAVEMENT REMOVAL, CURB REMOVAL, CONCRETE APRONS, AND INLET SPACERS ALONG WITH ANY EARTHWORK AND SEEDING ARE ALL INCLUDED IN THE COSTS FOR "FRAMES AND GRATES TO BE ADJUSTED".

3. REFER TO ARTICLE 603.03 OF THE STANDARD SPECIFICATIONS FOR ROAD & BRIDGE CONSTRUCTION FOR FURTHER CONSTRUCTION REQUIREMENTS.

FRAMES & GRATES TO BE ADJUSTED	
LOCATION	QUANTITY
STA. 1+50, 17' RT.	1 EACH
STA. 7+30, 17' LT.	1 EACH
TOTAL:	2 EACH

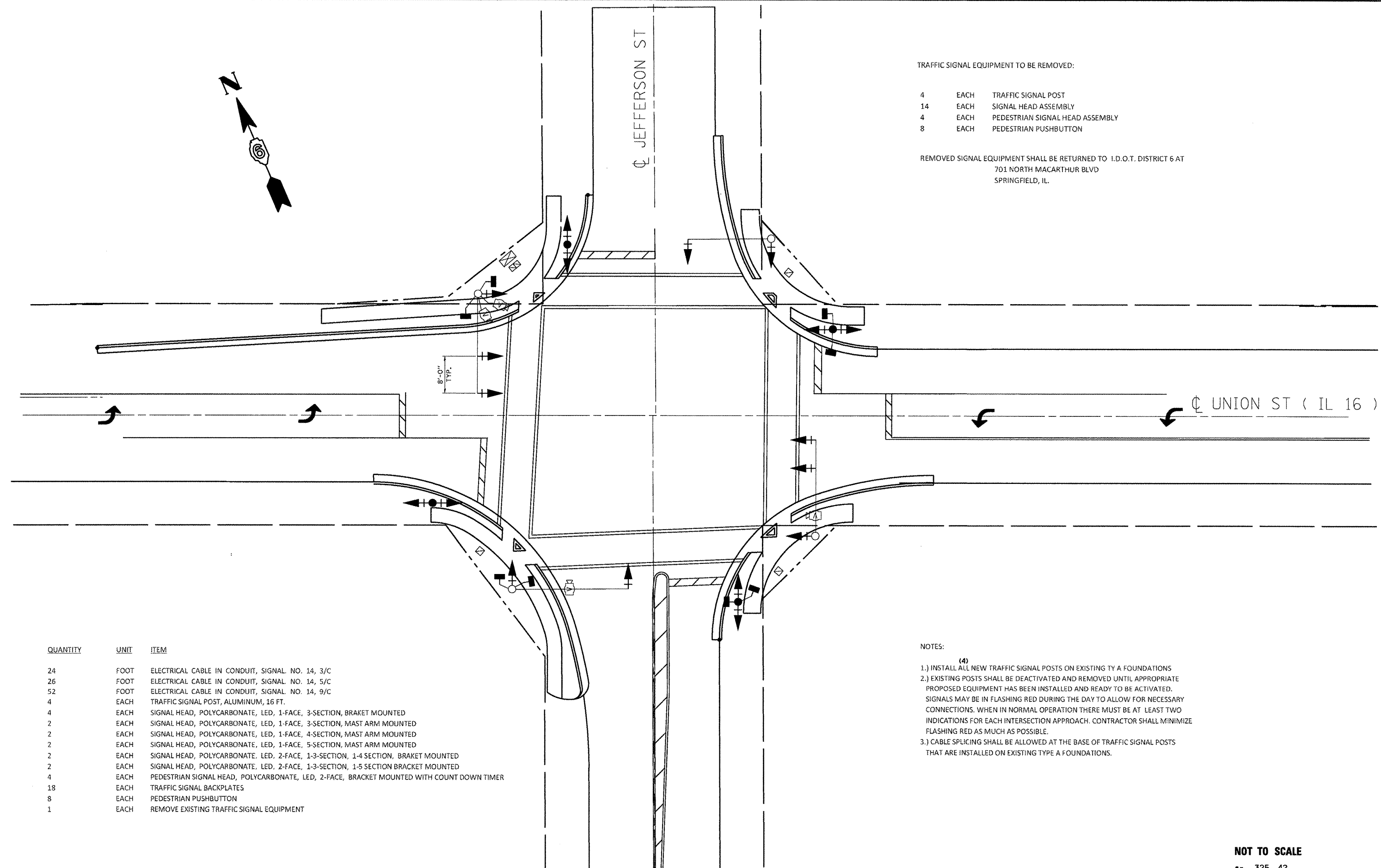
-- 325, 42
 -- (15, 21)RS-7, 22RS-4, 24RS-8

FILE NAME =	USER NAME = sparksgw	DESIGNED - RTS	REVISED -	STATE OF ILLINOIS DEPARTMENT OF TRANSPORTATION	FRAME & GRATE ADJUSTMENTS			F.A.P. RTE.	SECTION	COUNTY	TOTAL SHEETS	SHEET NO.	
o:\pr\work\p\idot\sparksgw\0222005\0672067-ahd-details.dgn		DRAWN - RTS	REVISED -		SCALE:	SHEET NO. 2 OF 2 SHEETS	STA.	TO STA.	•	••	MONTGOMERY	80	73
		CHECKED -	REVISED -								CONTRACT NO.		
		DATE - 07-19-11	REVISED -						FED. ROAD DIST. NO.	ILLINOIS	FED. AID PROJECT		



- TRAFFIC SIGNAL EQUIPMENT TO BE REMOVED:
- 4 EACH TRAFFIC SIGNAL POST
 - 14 EACH SIGNAL HEAD ASSEMBLY
 - 4 EACH PEDESTRIAN SIGNAL HEAD ASSEMBLY
 - 8 EACH PEDESTRIAN PUSHBUTTON

REMOVED SIGNAL EQUIPMENT SHALL BE RETURNED TO I.D.O.T. DISTRICT 6 AT
701 NORTH MACARTHUR BLVD
SPRINGFIELD, IL.

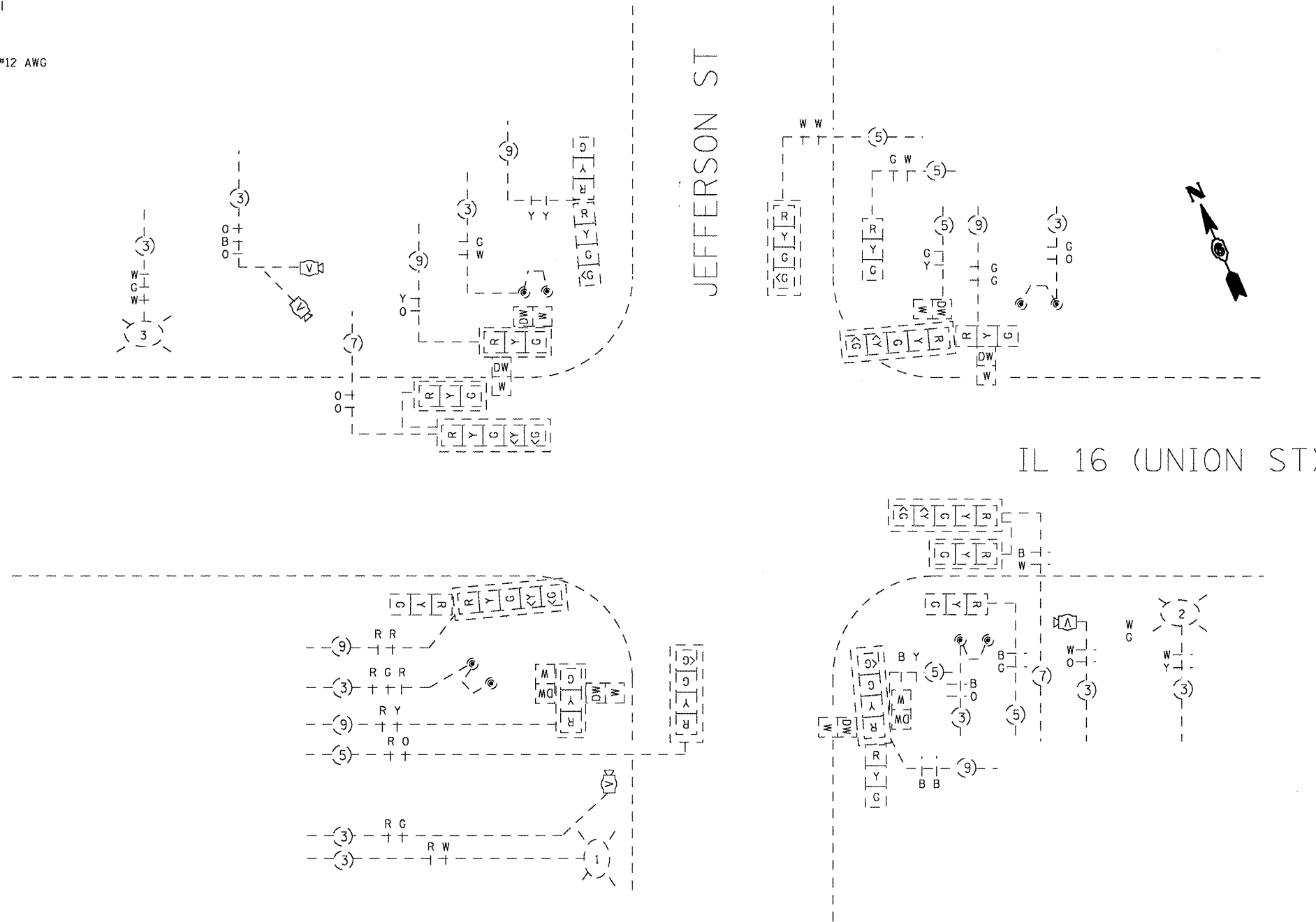
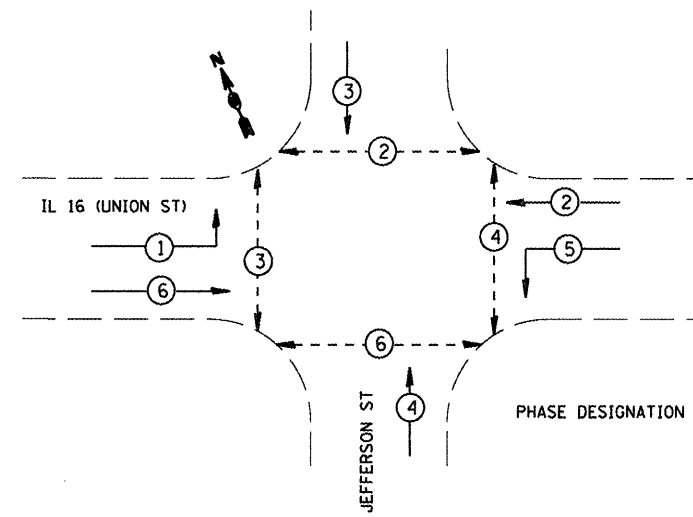
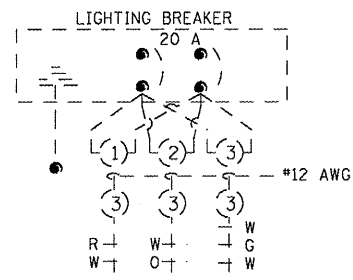
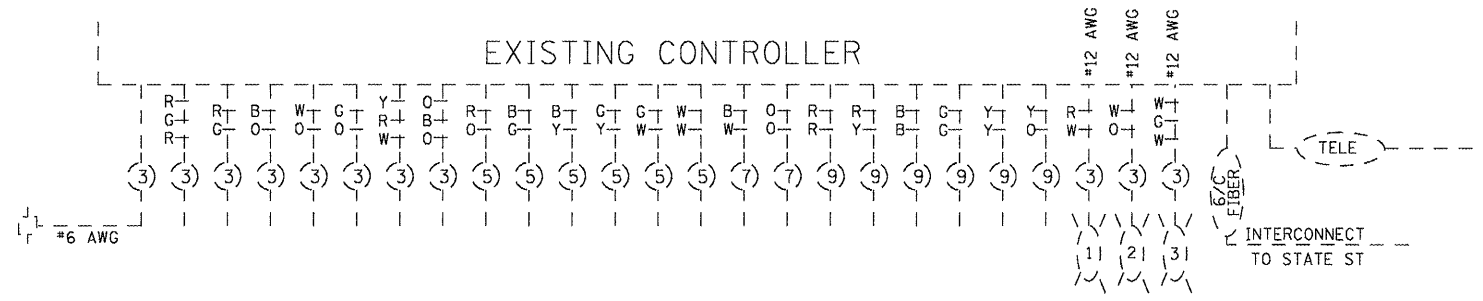


QUANTITY	UNIT	ITEM
24	FOOT	ELECTRICAL CABLE IN CONDUIT, SIGNAL NO. 14, 3/C
26	FOOT	ELECTRICAL CABLE IN CONDUIT, SIGNAL NO. 14, 5/C
52	FOOT	ELECTRICAL CABLE IN CONDUIT, SIGNAL NO. 14, 9/C
4	EACH	TRAFFIC SIGNAL POST, ALUMINUM, 16 FT.
4	EACH	SIGNAL HEAD, POLYCARBONATE, LED, 1-FACE, 3-SECTION, BRACKET MOUNTED
2	EACH	SIGNAL HEAD, POLYCARBONATE, LED, 1-FACE, 3-SECTION, MAST ARM MOUNTED
2	EACH	SIGNAL HEAD, POLYCARBONATE, LED, 1-FACE, 4-SECTION, MAST ARM MOUNTED
2	EACH	SIGNAL HEAD, POLYCARBONATE, LED, 1-FACE, 5-SECTION, MAST ARM MOUNTED
2	EACH	SIGNAL HEAD, POLYCARBONATE, LED, 2-FACE, 1-3-SECTION, 1-4 SECTION, BRACKET MOUNTED
2	EACH	SIGNAL HEAD, POLYCARBONATE, LED, 2-FACE, 1-3-SECTION, 1-5 SECTION BRACKET MOUNTED
4	EACH	PEDESTRIAN SIGNAL HEAD, POLYCARBONATE, LED, 2-FACE, BRACKET MOUNTED WITH COUNT DOWN TIMER
18	EACH	TRAFFIC SIGNAL BACKPLATES
8	EACH	PEDESTRIAN PUSHBUTTON
1	EACH	REMOVE EXISTING TRAFFIC SIGNAL EQUIPMENT

- NOTES:
- (4)
 - 1.) INSTALL ALL NEW TRAFFIC SIGNAL POSTS ON EXISTING TYPE A FOUNDATIONS
 - 2.) EXISTING POSTS SHALL BE DEACTIVATED AND REMOVED UNTIL APPROPRIATE PROPOSED EQUIPMENT HAS BEEN INSTALLED AND READY TO BE ACTIVATED. SIGNALS MAY BE IN FLASHING RED DURING THE DAY TO ALLOW FOR NECESSARY CONNECTIONS. WHEN IN NORMAL OPERATION THERE MUST BE AT LEAST TWO INDICATIONS FOR EACH INTERSECTION APPROACH. CONTRACTOR SHALL MINIMIZE FLASHING RED AS MUCH AS POSSIBLE.
 - 3.) CABLE SPLICING SHALL BE ALLOWED AT THE BASE OF TRAFFIC SIGNAL POSTS THAT ARE INSTALLED ON EXISTING TYPE A FOUNDATIONS.

NOT TO SCALE
 -- 325, 42
 -- (15, 21RS-7, 22RS-4, 24RS-8)

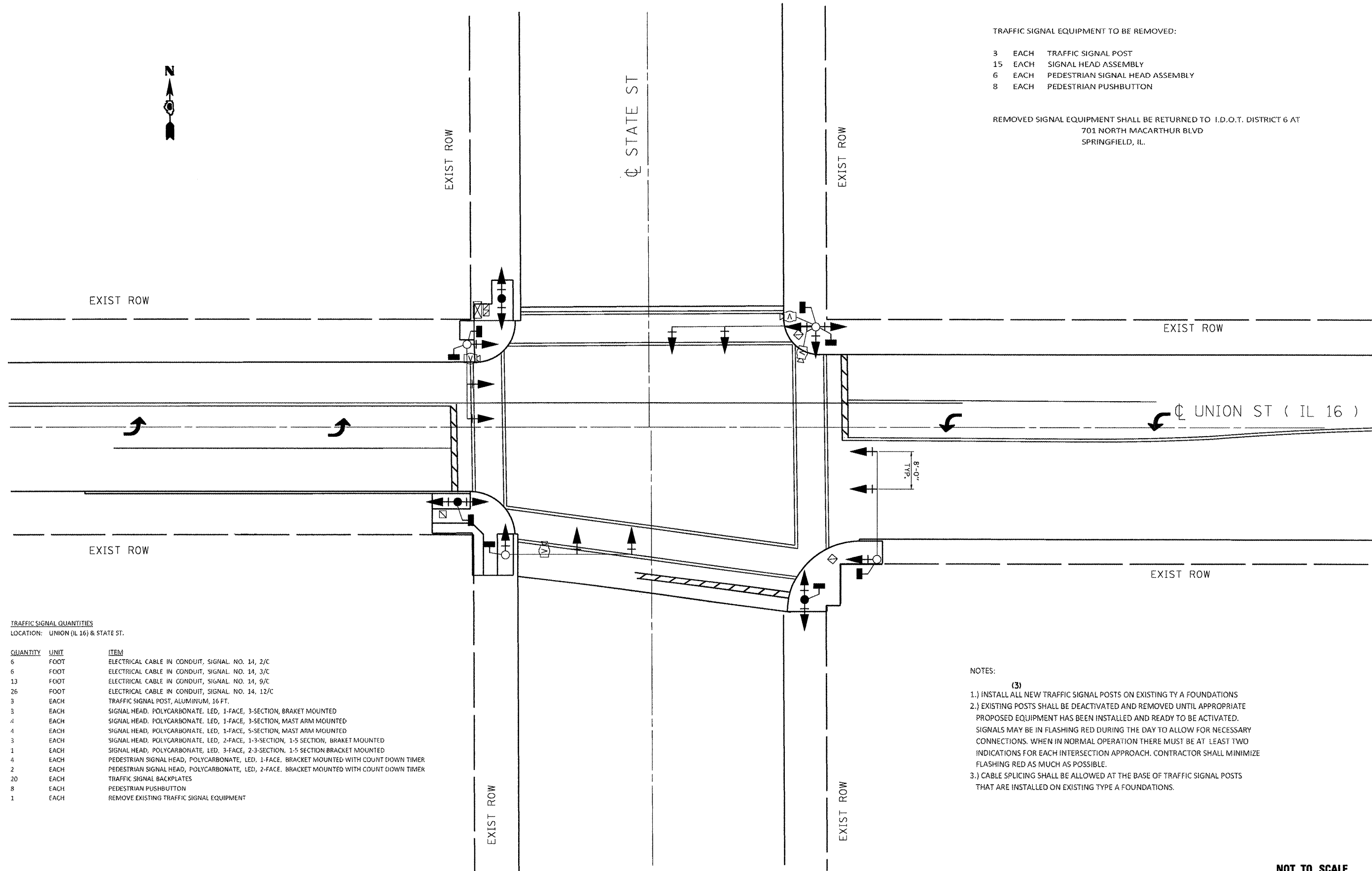
FILE NAME =	USER NAME = sparksgw	DESIGNED - SEC	REVISED -	STATE OF ILLINOIS DEPARTMENT OF TRANSPORTATION	PROPOSED TRAFFIC SIGNALS			F.A.P. RTE.	SECTION	COUNTY	TOTAL SHEETS	SHEET NO.	
ea:\pwork\pwork\sparksgw\d0222005\0672067-sh-t-ts.dgn		DRAWN - SEC	REVISED -		SCALE:	SHEET NO. 1 OF 7 SHEETS	STA.	TO STA.	*	**	MONTGOMERY	80	74
		CHECKED -	REVISED -								CONTRACT NO. 72D67		
		DATE - 07-19-11	REVISED -						FED. ROAD DIST. NO.	ILLINOIS FED. AID PROJECT			



NOT TO SCALE

- 325, 42
- (15, 21)RS-7, 22RS-4, 24RS-8

FILE NAME =	USER NAME = sparksgw	DESIGNED - SEC	REVISED -	STATE OF ILLINOIS DEPARTMENT OF TRANSPORTATION	EXISTING TRAFFIC SIGNALS			F.A.P. RTE.	SECTION	COUNTY	TOTAL SHEETS	SHEET NO.
c:\pw\work\pwidot\sparksgw\d0222005\067	PD67-shr-ts.dgn	DRAWN - SEC	REVISED -					.	..	MONTGOMERY	80	75
PLOT SCALE = 200,0000 ' / in.		CHECKED -	REVISED -		CONTRACT NO. 72D67			FED. ROAD DIST. NO.	ILLINOIS FED. AID PROJECT			
PLOT DATE = Aug-25-2011 10:16:29AM		DATE - 07-19-11	REVISED -		SCALE:	SHEET NO. 2 OF 7 SHEETS	STA.	TO STA.				



TRAFFIC SIGNAL EQUIPMENT TO BE REMOVED:

- 3 EACH TRAFFIC SIGNAL POST
- 15 EACH SIGNAL HEAD ASSEMBLY
- 6 EACH PEDESTRIAN SIGNAL HEAD ASSEMBLY
- 8 EACH PEDESTRIAN PUSHBUTTON

REMOVED SIGNAL EQUIPMENT SHALL BE RETURNED TO I.D.O.T. DISTRICT 6 AT
701 NORTH MACARTHUR BLVD
SPRINGFIELD, IL.

TRAFFIC SIGNAL QUANTITIES
LOCATION: UNION (IL 16) & STATE ST.

QUANTITY	UNIT	ITEM
6	FOOT	ELECTRICAL CABLE IN CONDUIT, SIGNAL NO. 14, 2/C
6	FOOT	ELECTRICAL CABLE IN CONDUIT, SIGNAL NO. 14, 3/C
13	FOOT	ELECTRICAL CABLE IN CONDUIT, SIGNAL NO. 14, 9/C
26	FOOT	ELECTRICAL CABLE IN CONDUIT, SIGNAL NO. 14, 12/C
3	EACH	TRAFFIC SIGNAL POST, ALUMINUM, 16 FT.
3	EACH	SIGNAL HEAD, POLYCARBONATE, LED, 1-FACE, 3-SECTION, BRACKET MOUNTED
4	EACH	SIGNAL HEAD, POLYCARBONATE, LED, 1-FACE, 3-SECTION, MAST ARM MOUNTED
4	EACH	SIGNAL HEAD, POLYCARBONATE, LED, 1-FACE, 5-SECTION, MAST ARM MOUNTED
3	EACH	SIGNAL HEAD, POLYCARBONATE, LED, 2-FACE, 1-3-SECTION, 1-5 SECTION, BRACKET MOUNTED
1	EACH	SIGNAL HEAD, POLYCARBONATE, LED, 3-FACE, 2-3-SECTION, 1-5 SECTION BRACKET MOUNTED
4	EACH	PEDESTRIAN SIGNAL HEAD, POLYCARBONATE, LED, 1-FACE, BRACKET MOUNTED WITH COUNT DOWN TIMER
2	EACH	PEDESTRIAN SIGNAL HEAD, POLYCARBONATE, LED, 2-FACE, BRACKET MOUNTED WITH COUNT DOWN TIMER
20	EACH	TRAFFIC SIGNAL BACKPLATES
8	EACH	PEDESTRIAN PUSHBUTTON
1	EACH	REMOVE EXISTING TRAFFIC SIGNAL EQUIPMENT

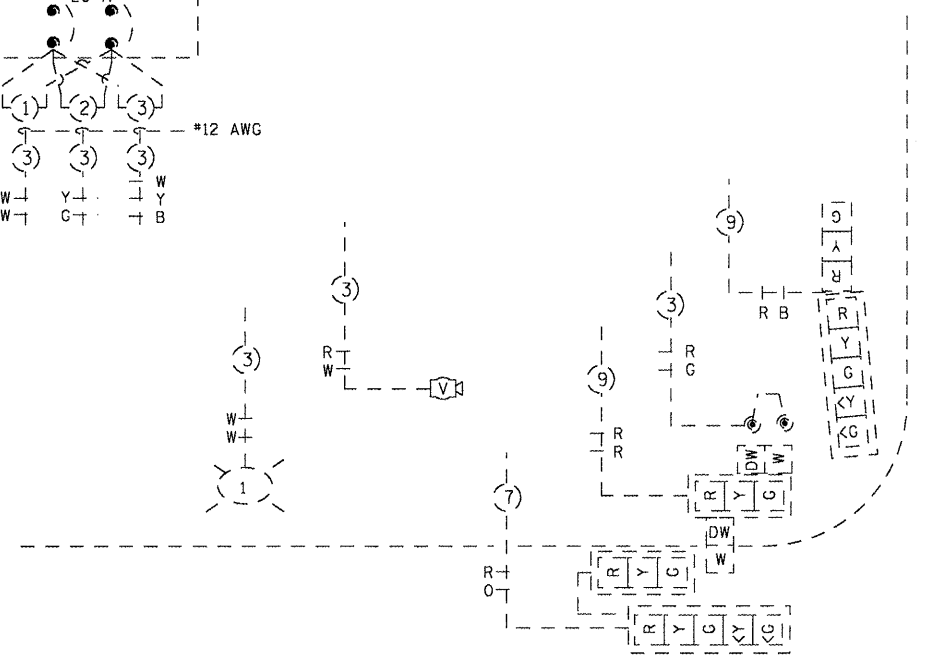
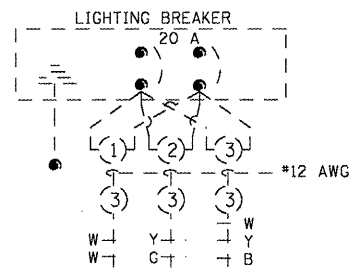
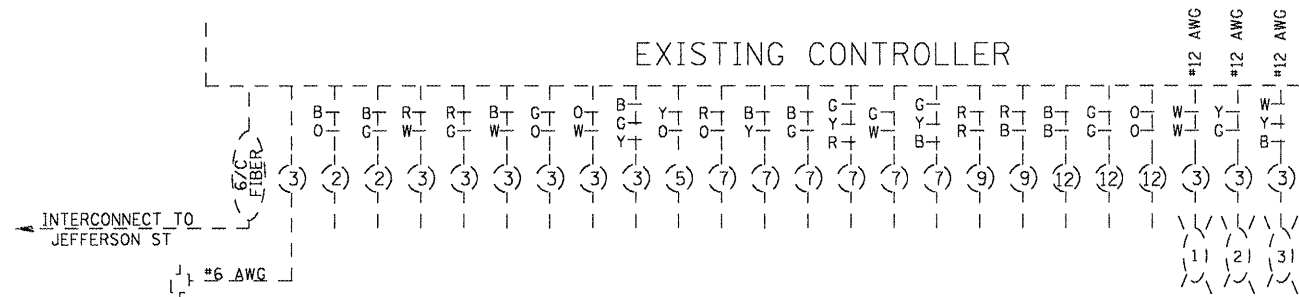
NOTES:

- 1.) INSTALL ALL NEW TRAFFIC SIGNAL POSTS ON EXISTING TYPE A FOUNDATIONS
- 2.) EXISTING POSTS SHALL BE DEACTIVATED AND REMOVED UNTIL APPROPRIATE PROPOSED EQUIPMENT HAS BEEN INSTALLED AND READY TO BE ACTIVATED. SIGNALS MAY BE IN FLASHING RED DURING THE DAY TO ALLOW FOR NECESSARY CONNECTIONS. WHEN IN NORMAL OPERATION THERE MUST BE AT LEAST TWO INDICATIONS FOR EACH INTERSECTION APPROACH. CONTRACTOR SHALL MINIMIZE FLASHING RED AS MUCH AS POSSIBLE.
- 3.) CABLE SPLICING SHALL BE ALLOWED AT THE BASE OF TRAFFIC SIGNAL POSTS THAT ARE INSTALLED ON EXISTING TYPE A FOUNDATIONS.

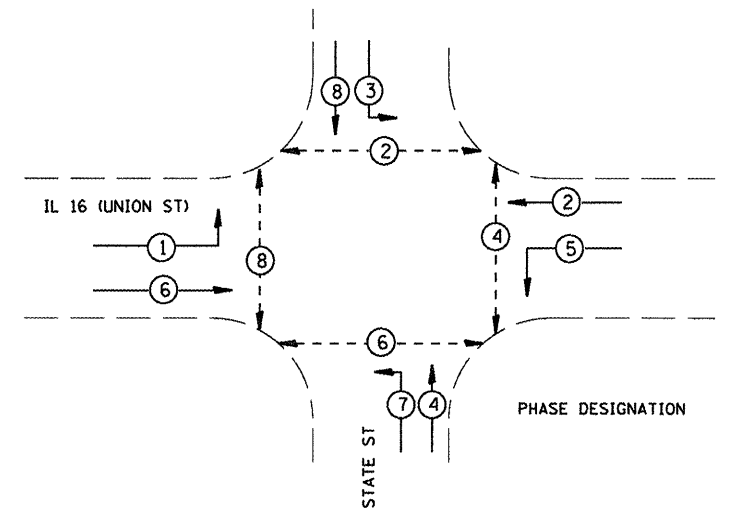
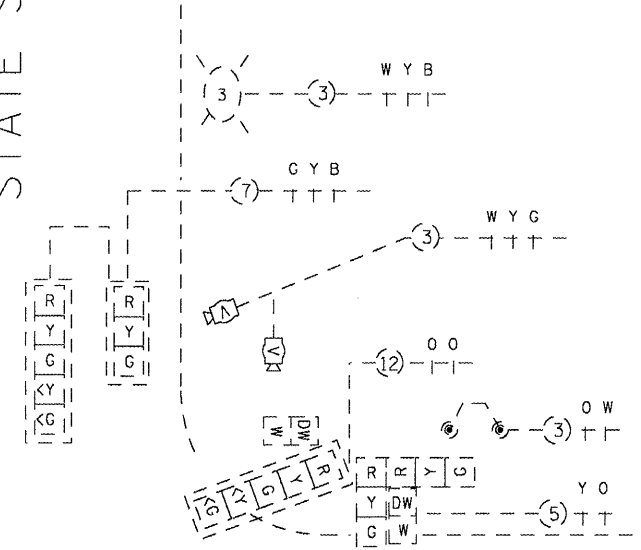
NOT TO SCALE

- 325, 42
- (15, 21)RS-7, 22RS-4, 24RS-8

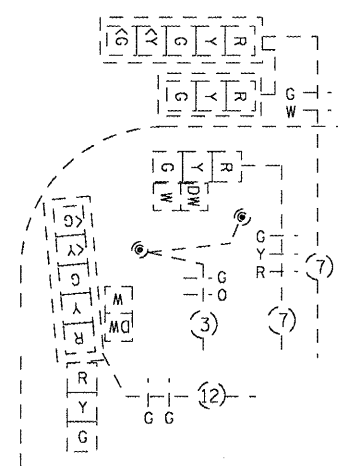
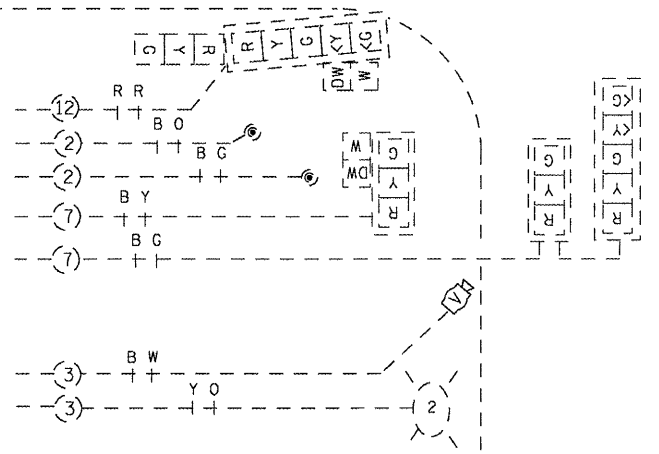
FILE NAME =	USER NAME = sparksgw	DESIGNED - SEC	REVISED -	STATE OF ILLINOIS DEPARTMENT OF TRANSPORTATION	PROPOSED TRAFFIC SIGNALS			F.A.P. RTE.	SECTION	COUNTY	TOTAL SHEETS	SHEET NO.	
c:\pwwork\pwwork\sparksgw\d0222005\067	P067-ah1-ta.dgn	DRAWN - SEC	REVISED -		SCALE: 1" = 40'	SHEET NO. 4 OF 7 SHEETS	STA.	TO STA.	•	••	MONTGOMERY	80	77
	PLT SCALE = 200.0000' / in.	CHECKED -	REVISED -								CONTRACT NO. 72D67		
	PLT DATE = Aug-25-2011 10:16:30AM	DATE - 07-19-11	REVISED -						FED. ROAD DIST. NO.	ILLINOIS FED. AID PROJECT			



STATE ST



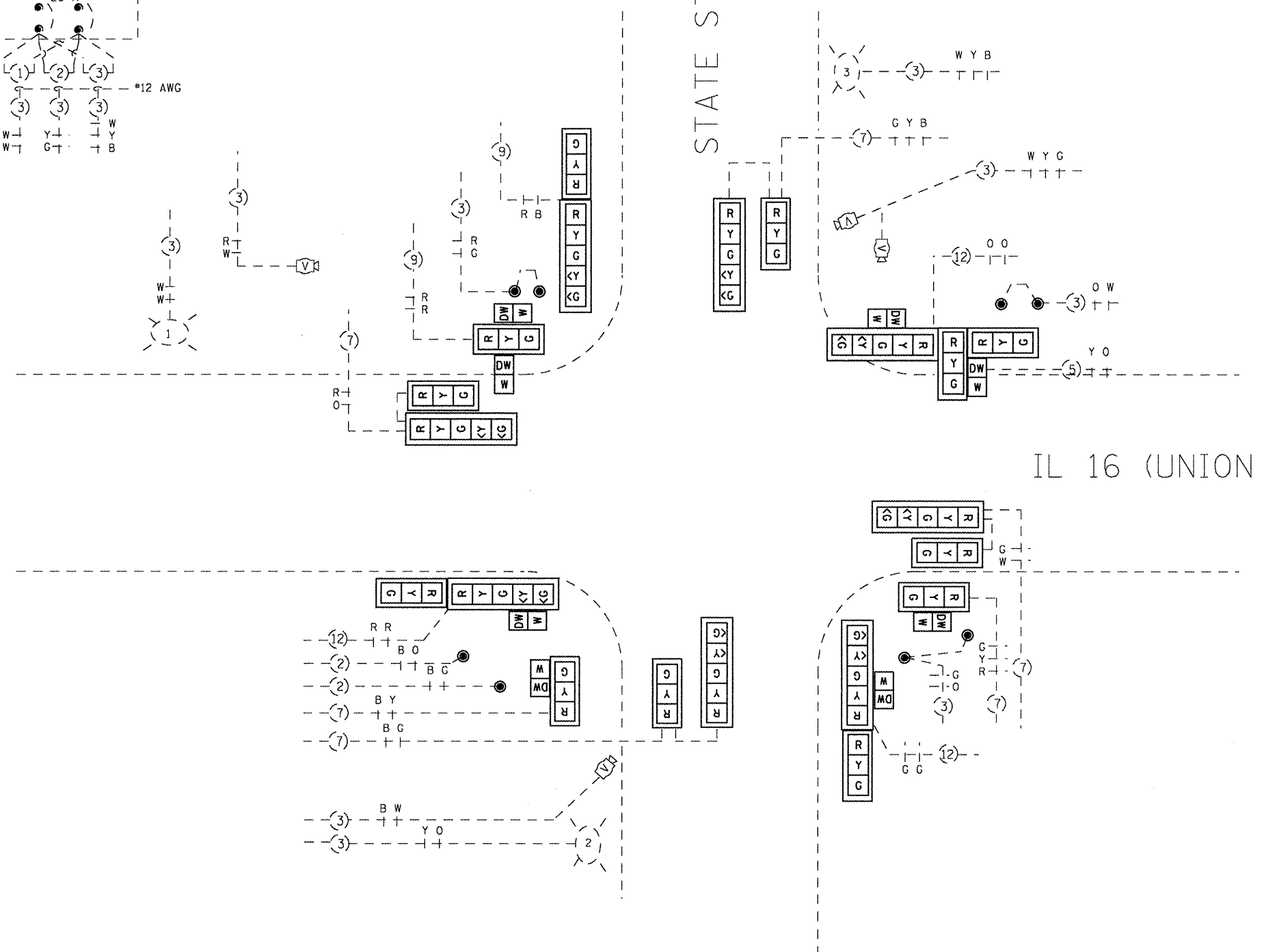
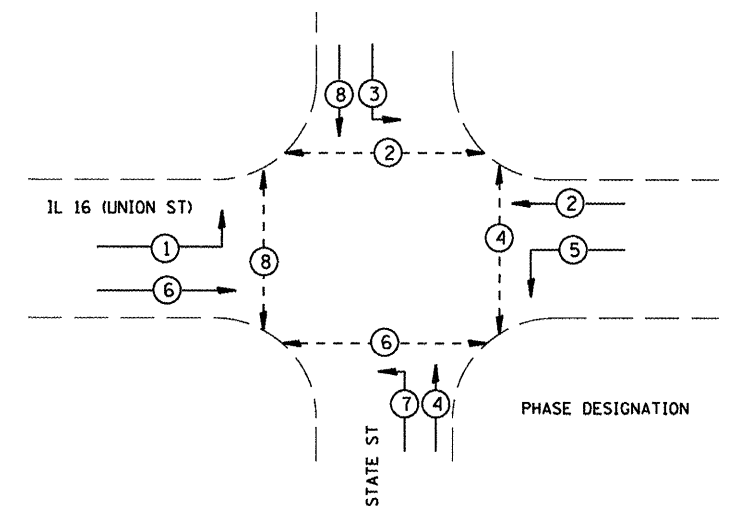
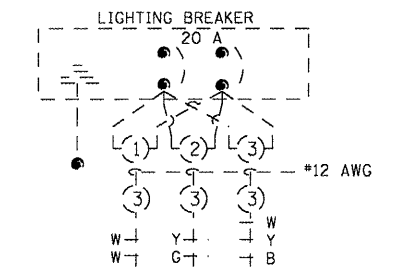
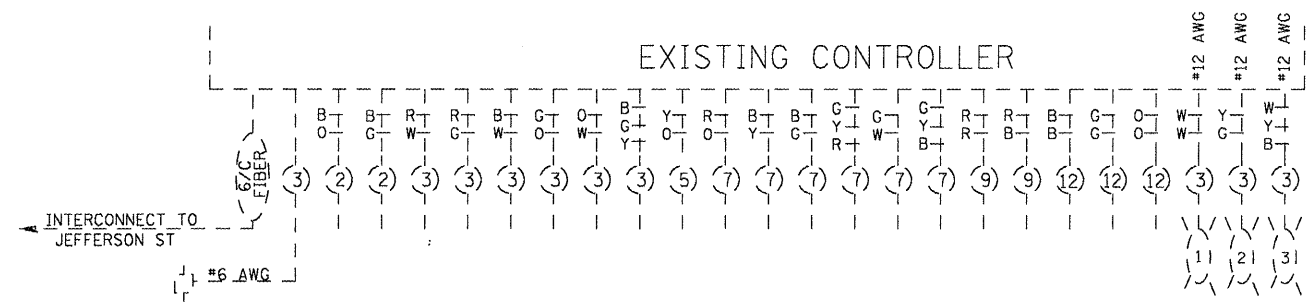
IL 16 (UNION ST)



NOT TO SCALE

- 325, 42
- (15, 21)RS-7, 22RS-4, 24RS-8

FILE NAME =	USER NAME = sparkgw	DESIGNED - SEC	REVISED -	STATE OF ILLINOIS DEPARTMENT OF TRANSPORTATION	EXISTING TRAFFIC SIGNALS			F.A.P. RTE.	SECTION	COUNTY	TOTAL SHEETS	SHEET NO.	
o:\pw\work\pwidot\sparkgw\d0222005\0672067-shc-ts.dgn	PLT SCALE = 200.0000' / in.	DRAWN - SEC	REVISED -		SCALE:	SHEET NO. 5 OF 7 SHEETS	STA.	TO STA.	•	••	MONTGOMERY	80	78
	PLT DATE = Aug-25-2011 10:16:32AM	CHECKED -	REVISED -										
		DATE - 07-19-11	REVISED -						FED. ROAD DIST. NO.	ILLINOIS FED. AID PROJECT			CONTRACT NO. 72D67



NOT TO SCALE
 •• 325, 42
 ••• (15, 21)RS-7, 22RS-4, 24RS-8

FILE NAME =	USER NAME = sparkgw	DESIGNED - SEC	REVISED -	STATE OF ILLINOIS DEPARTMENT OF TRANSPORTATION	PROPOSED TRAFFIC SIGNALS			F.A.P. RTE.	SECTION	COUNTY	TOTAL SHEETS	SHEET NO.
c:\pwork\pwork\sparkgw\d0222005\0672067-sh-t-ts.dgn	DRAWN - SEC	REVISED -	•					••	MONTGOMERY	80	79	
PLOT SCALE = 200.0000' / in.	CHECKED -	REVISED -	CONTRACT NO. 72D67									
PLOT DATE = Aug-29-2011 10:16:32AM	DATE - 07-19-11	REVISED -	SCALE:		SHEET NO. 6 OF 7 SHEETS	STA.	TO STA.	FED. ROAD DIST. NO.	ILLINOIS FED. AID PROJECT			

TRAFFIC SIGNAL PLAN LEGEND

EXISTING	PROPOSED	DESCRIPTION
		SIGNAL HEAD
		SIGNAL HEAD WITH BACKPLATE
		TEMPORARY SIGNAL HEAD
		PEDESTRIAN SIGNAL HEAD
		PEDESTRIAN PUSHBUTTON DETECTOR
		DETECTOR LOOP
		QUADRAPOLE DETECTOR LOOP
		SIGNAL POST
		ALUMINUM MAST ARM ASSEMBLY AND POLE
		STEEL MAST ARM ASSEMBLY AND POLE
		WOOD POLE
		WOOD POLE WITH GUY
		SERVICE INSTALLATION
		CONTROLLER
		HANDHOLE
		HEAVY DUTY HANDHOLE
		DOUBLE HANDHOLE
		JUNCTION BOX
		GULFBOX JUNCTION
		AERIAL CABLE
		CONDUIT LENGTH - CONSTRUCTION (T=TRENCH P=PUSHED A=AUGERED E=EXISTING) SIZE - TYPE (S=STEEL P=PVC F=FIBER DUCT U=UNI-DUCT)
		CONDUIT SPLICE
		SPAN WIRE / TETHER WIRE
		21 SIDEWALK REMOVAL IN SQ M (SQ FT)
		9 PC CONC SDWLK 100 mm IN SQ M (SQ YD)
		12 PC CONC SDWLK 100 mm SPECIAL IN SQ M (SQ YD)

TRAFFIC SIGNAL WIRING DIAGRAM LEGEND

EXISTING	PROPOSED	DESCRIPTION
		200 mm (8") SIGNAL SECTION
		300 mm (12") SIGNAL SECTION
		DIRECTIONAL SIGNAL SECTION
		225 mm (9") PEDESTRIAN SIGNAL FACE
		300 mm (12") PEDESTRIAN SIGNAL FACE
		SIGNAL FACE WITH BACKPLATE
		PROGRAMMED SIGNAL SECTION
		SIGNAL SECTION WITH LOUVRE
		DUAL-INDICATION SIGNAL SECTION
		INDUCTION DETECTOR LOOP
		QUADRAPOLE DETECTOR LOOP
		DIRECT-CONNECTED LOOP LEAD-IN (TWISTED)
		ELECTRIC CABLE DENOTING NUMBER OF CONDUCTORS
		ELECTRIC CABLE TO BE REMOVED
		ELECTRIC CABLE IDENTIFIER TAPE CODES (R= RED W= WHITE Y= YELLOW G= GREEN B= BLUE O= ORANGE)
		PEDESTRIAN PUSHBUTTON DETECTOR
		VIDEO DETECTION CAMERA
		EMERGENCY VEHICLE PREEMPTOR



-- 325, 42
 --- (15, 21)RS-7, 22RS-4, 24RS-8