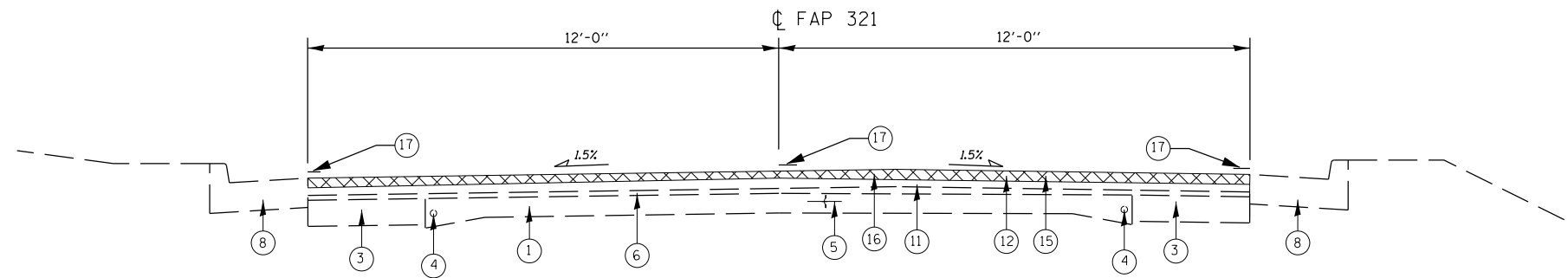


STA. 340+00.00 TO 341+71.00



STA. 341+71.00 TO 344+51.00
 RT. STA. 346+60.67 TO 350+60.00
 LT. STA. 346+60.67 TO 351+54.84

EXISTING LEGEND

1. EXISTING PCC PAVEMENT (9"-6"-9")
2. EXISTING PCC COURSE, 12"
3. EXISTING 8" P.C.C. BASE COURSE
4. EXISTING 3/4 " SMOOTH BAR
5. EXISTING 1/2 " BAR
6. EXISTING HMA SURFACE COURSE OVERLAY,VAR
7. EXISTING 8" STABLIZED SHOULDER
8. EXISTING CONCRETE CURB AND GUTTER
9. EXISTING CONCRETE GUTTER
10. EXISTING SUB-BASE GRANULAR
11. EXISTING LEVELING BINDER, 3/4 - 1 1/2
12. EXISTING HMA SURFACE COURSE, 1 1/2
13. EXISTNG AGGREGATE SHOULDER, TYPE B

PROPOSED LEGEND

14. PROPOSED AGGREGATE SHOULDER, TYPE B
15. PROPOSED HMA SURFACE COURSE REMOVAL, 1-1/2"
16. PROPOSED HMA SURFACE COURSE MIXTURE C, N50 1-1/2"
17. PROPOSED PAVEMENT MARKING-LINE 5"

• 104RS2,BR3;105RS7,BR3,4;106RS6

FILE NAME = c:\pwwork\pwwork\sparksgw\10265393\0672E43-sht-typical.dgn	USER NAME = sparksgw	DESIGNED -	REVISED -	STATE OF ILLINOIS DEPARTMENT OF TRANSPORTATION	US 54 TYPICAL SECTIONS			F.A.P. RTE. 321	SECTION *	COUNTY PIKE	TOTAL SHEETS 69	SHEET NO. 16
	PLOT SCALE = 4.2352' / in.	CHECKED -	REVISED -		SCALE:	SHEET NO. 3 OF 10 SHEETS	STA.	TO STA.	CONTRACT NO. 72E43			
PLOT DATE = Oct-31-2011 03:50:53PM	DATE -	REVISED -	REVISED -	ILLINOIS FED. AID PROJECT								