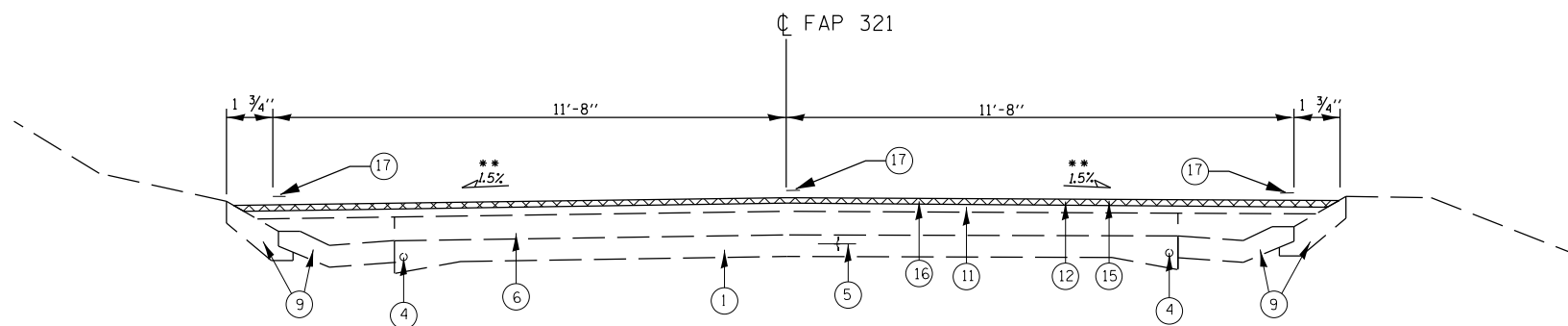


LT. STA. 408+70.00 TO 410+75.00
 RT. STA. 411+00.00 TO 415+47.00



LT. STA. 401+22.00 TO 408+70.00
 STA. 415+47.00 TO 424+45.00
 STA. 430+00.00 TO 440+14.40

** NOTE 1.5% SLOPE EXCEPT USE PROP. S.E. RATE SHOWN ON THE PLAN SHEET, SUPERELEVATION TRANSITION DETAILS, AND REVERSE CURVE TRANSITION DETAIL

EXISTING LEGEND

1. EXISTING PCC PAVEMENT (9''-6''-9'')
2. EXISTING PCC COURSE, 12''
3. EXISTING 8'' P.C.C. BASE COURSE
4. EXISTING 3/4 '' SMOOTH BAR
5. EXISTING 1/2 '' BAR
6. EXISTING HMA SURFACE COURSE OVERLAY,VAR
7. EXISTING 8'' STABILIZED SHOULDER
8. EXISTING CONCRETE CURB AND GUTTER
9. EXISTING CONCRETE GUTTER
10. EXISTING SUB-BASE GRANULAR
11. EXISTING LEVELING BINDER, 3/4 - 1 1/2
12. EXISTING HMA SURFACE COURSE, 1 1/2
13. EXISTING AGGREGATE SHOULDER, TYPE B

PROPOSED LEGEND

14. PROPOSED AGGREGATE SHOULDER, TYPE B
15. PROPOSED HMA SURFACE COURSE REMOVAL, 1-1/2''
16. PROPOSED HMA SURFACE COURSE MIXTURE C, N50 1-1/2''
17. PROPOSED PAVEMENT MARKING-LINE 5''

• 104RS2,BR3;105RS7,BR3,4;106RS6

FILE NAME = c:\pwork\pwork\sparksgw\10265393\0672E43-sht-typical.dgn	USER NAME = sparksgw	DESIGNED -	REVISED -	STATE OF ILLINOIS DEPARTMENT OF TRANSPORTATION	US 54 TYPICAL SECTIONS			F.A.P. RTE. 321	SECTION •	COUNTY PIKE	TOTAL SHEETS 69	SHEET NO. 20
	PLOT SCALE = 4.2352 ' / in.	CHECKED -	REVISED -		SCALE:	SHEET NO. 7 OF 10 SHEETS	STA.	TO STA.	CONTRACT NO. 72E43			
PLOT DATE = Oct-31-2011 03:50:55PM	DATE -	REVISED -	REVISED -	ILLINOIS FED. AID PROJECT								