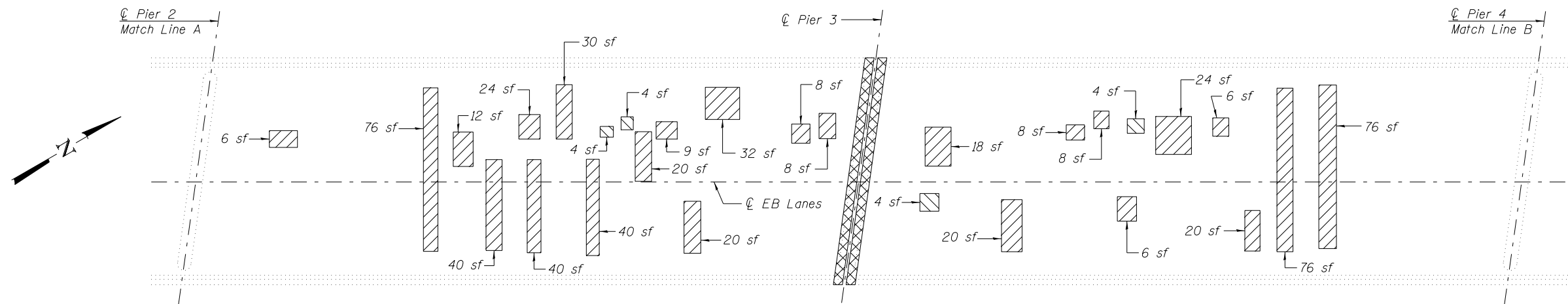
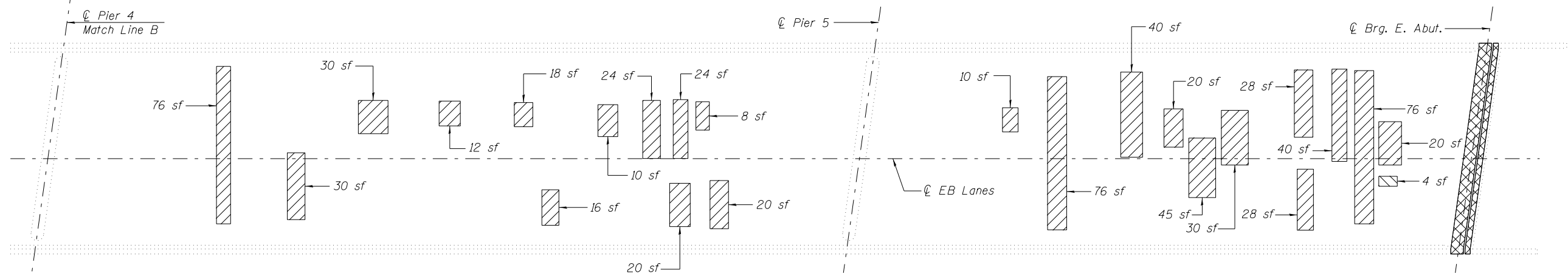


EASTBOUND BRIDGE PARTIAL DECK PLAN
(Spans 1 & 2)



EASTBOUND BRIDGE PARTIAL DECK PLAN
(Spans 3 & 4)



EASTBOUND BRIDGE PARTIAL DECK PLAN
(Spans 5 & 6)

LEGEND

- Concrete Removal
- Deck Slab Repair (Full Depth, Type I)
- Deck Slab Repair (Full Depth, Type II)

sf Square Feet

Notes:

Deck Condition Survey performed on 12/28/10.
There is an estimated 350 sq. yards of Partial Depth Deck Slab Repair required.
Partial depth repairs shall be included with Bridge Deck Scarification, see Special Provision for Bridge Deck Latex Concrete Overlay.
Repair of the existing deck slab shall include but may not be limited to the areas shown. The actual areas to be repaired will be determined by the Engineer at the time of construction.
See sheet 7 thru 9 of 20 for details of concrete removal.

BILL OF MATERIAL

Item	Unit	Total
Concrete Removal	Cu. Yd.	31.3
Deck Slab Repair (Full Depth, Type I)	Sq. Yd.	3
Deck Slab Repair (Full Depth, Type II)	Sq. Yd.	177

(Sheet 2 of 2)