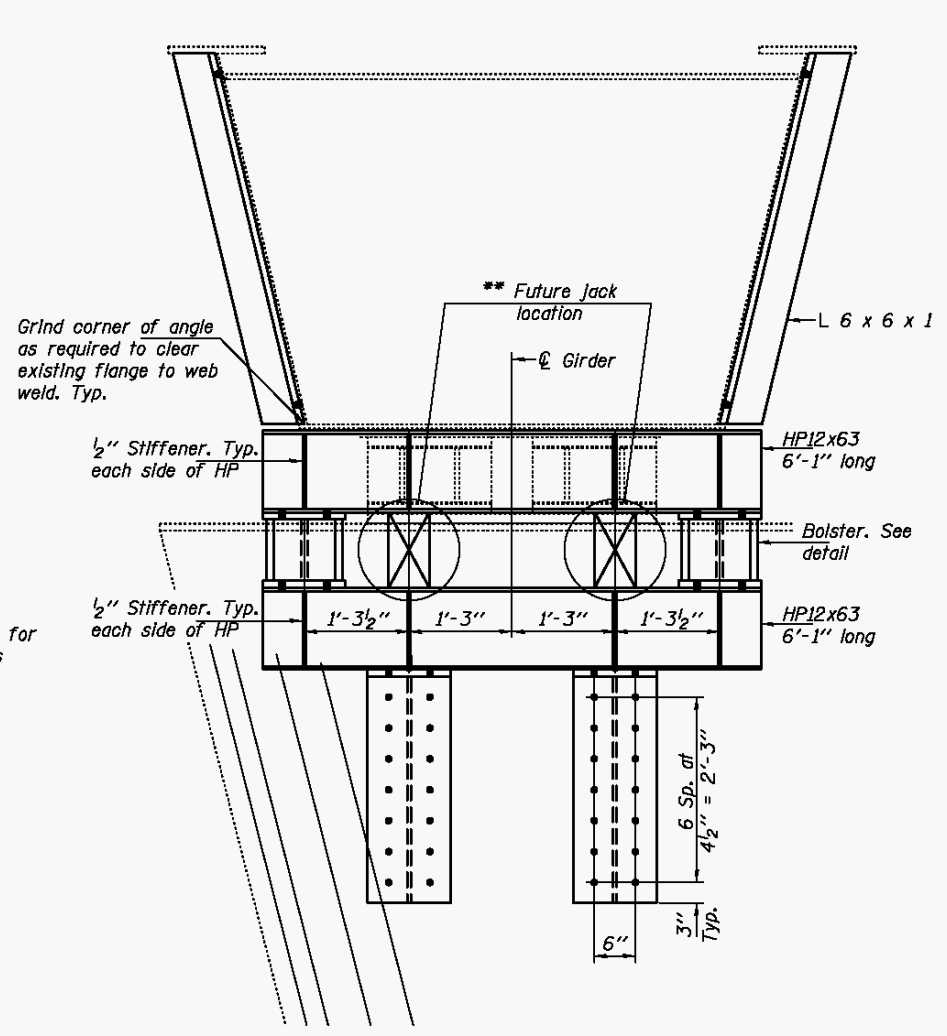
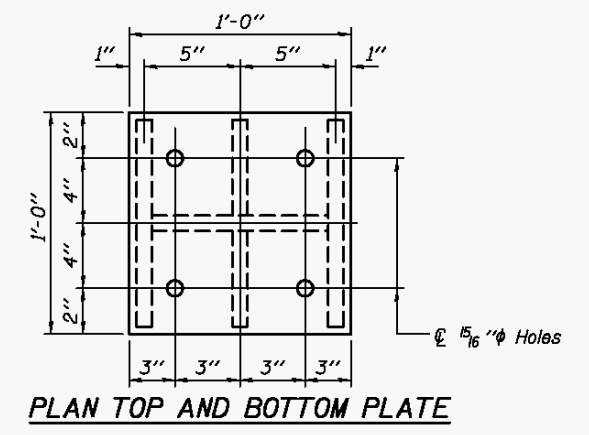
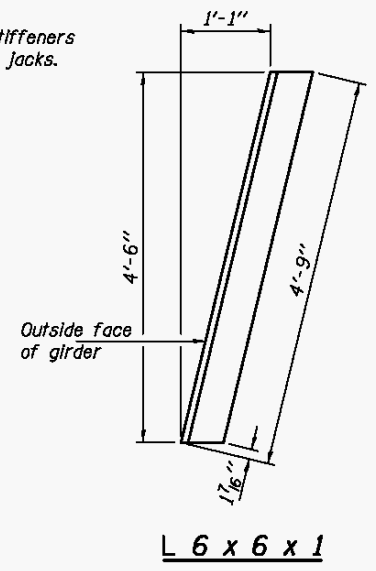


* Epoxy grout in 9" min. holes according to Article 584 of the Standard Specifications.

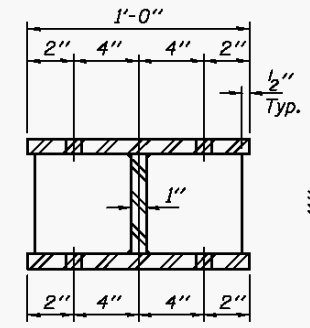


TYP. REPAIR AT PIER 3
(12 Locations)

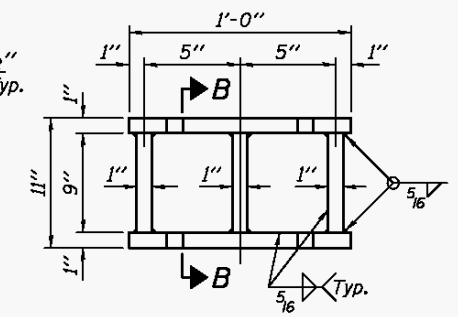
** Locate jacks as shown. Stiffeners to be located directly over jacks.



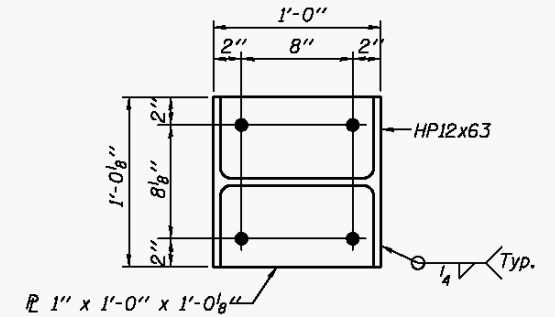
PLAN TOP AND BOTTOM PLATE



SECTION B-B



BOLSTER DETAIL



SECTION A-A

FOR INFORMATION ONLY