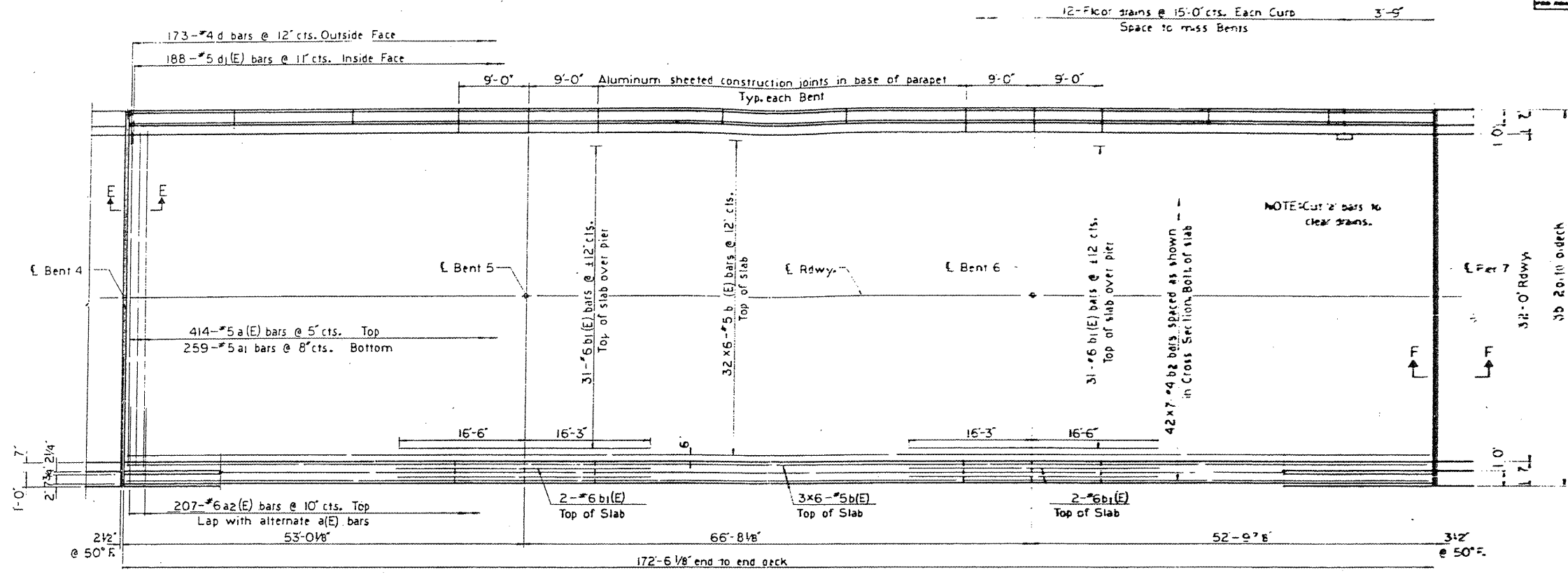
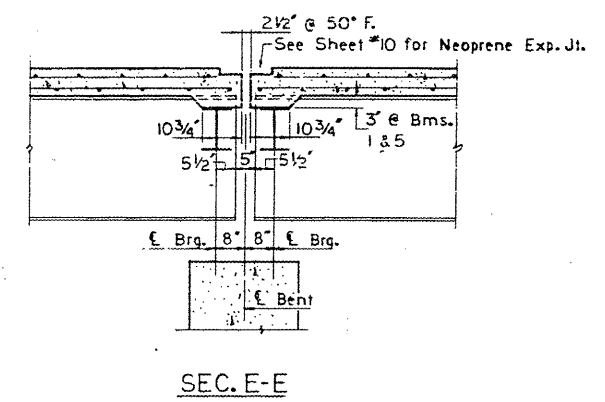


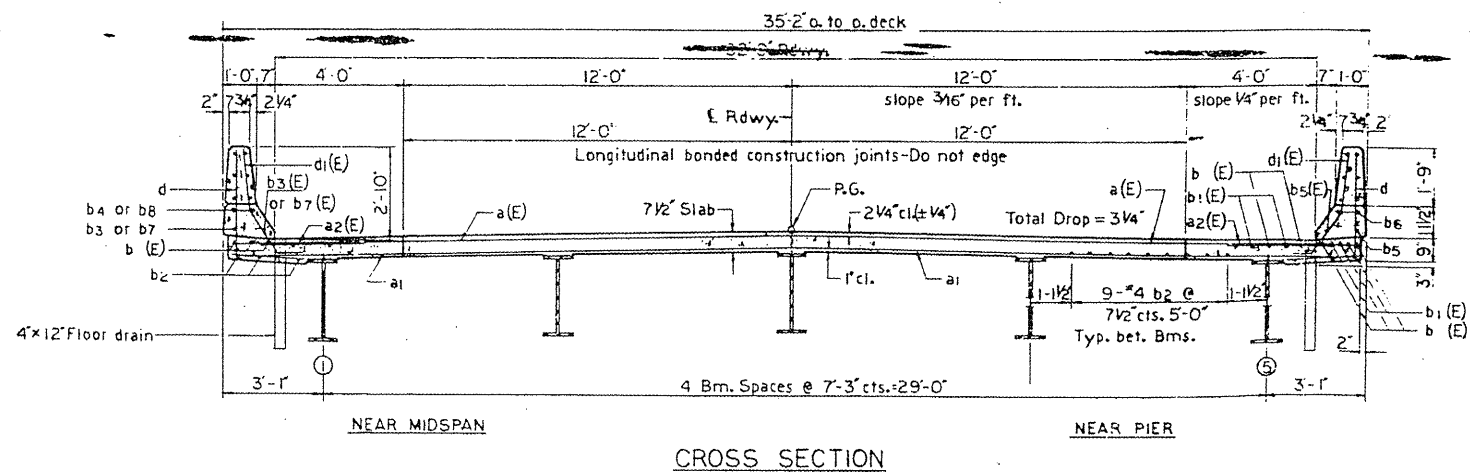
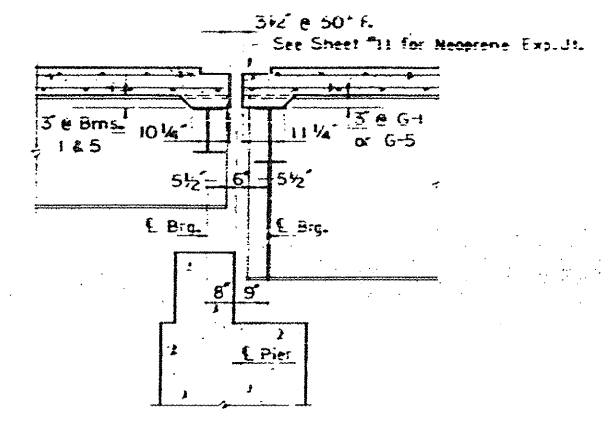
PROJECT NO.	SECTION	DATE	SCALE	DATE
FA 34	2 BR	MENARD MASON	57	11
SHEET 5 OF 35				



PLAN  
UNIT II



- Min. Bar Lap
- #4 1'-4"
- #5 1'-8"
- #8 3'-0"



CROSS SECTION

See Sheet #6 for Superstructure details and Bill of Materials.  
Reinforcement bars designated (E) shall be epoxy-coated.  
See Special Provisions.  
Bars shown thus 32x6-#5 etc., indicate 32 lines of bars with 6 lengths per line.

UNIT II  
SUPERSTRUCTURE  
FA.R134 SEC.2BR  
MASON-MENARD COUNTY  
STA. 730+40.73

FOR INFORMATION ONLY

EXISTING PLANS, SN 065-0002  
VARIOUS ROUTES  
D6REHAB BDGE PAINTING 2012  
MENARD, SANGAMON COUNTIES