

STATE OF ILLINOIS
DEPARTMENT OF PUBLIC WORKS & BUILDINGS
DIVISION OF HIGHWAYS

DRAWING NO.	SEC.	COUNTY	TOTAL SHEETS	SHEET NO.
F.A.I. 72F02	84-3HB-3	Sangamon	42	12

SHEET 3 OF 13

TABLE OF ELEVATIONS

Pl. Br.	E. Brq. Abut #1	E. Brq. Pier	E. Splice	E. Brq. Abut #2
1	585.05	585.29	585.36	585.61
2	585.07	585.31	585.37	585.63
3	585.16	585.40	585.47	585.73
4	585.24	585.48	585.54	585.80
5	585.27	585.51	585.58	585.84
6	585.27	585.51	585.57	585.83
7	585.22	585.46	585.52	585.78
8	585.15	585.39	585.45	585.71
9	585.16	585.40	585.47	585.72

Note: All Elevations shown are given at the top of the flanges of the beams.

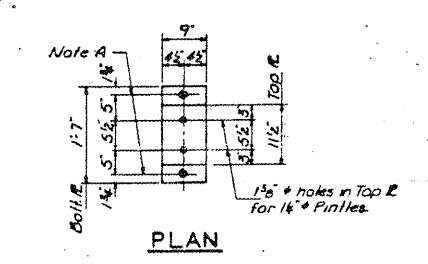
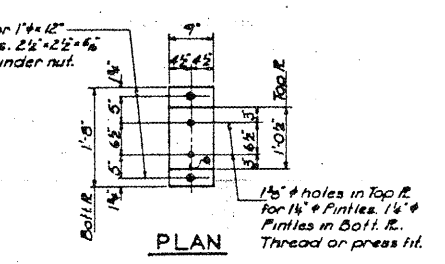
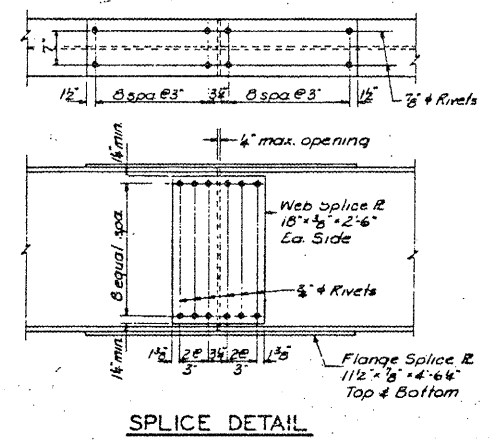
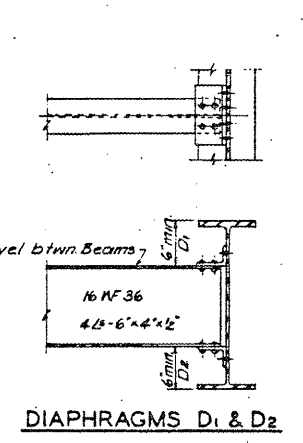
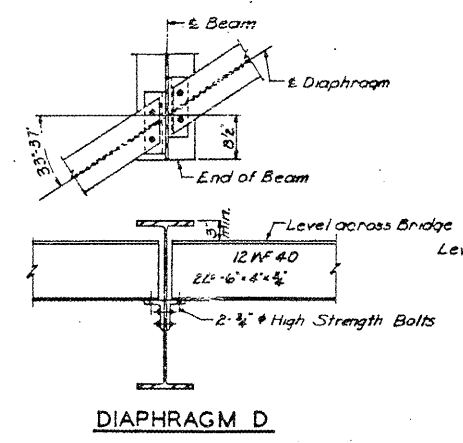
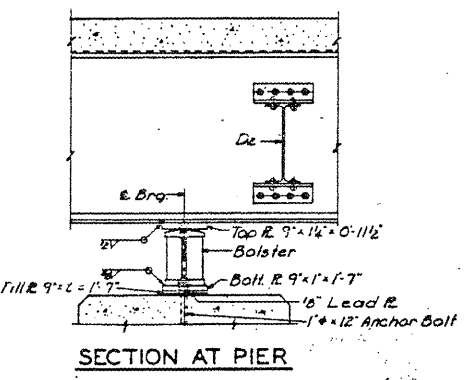
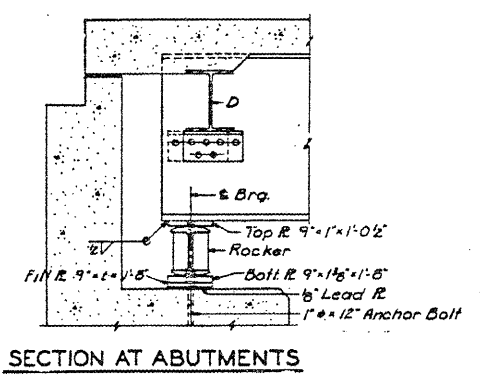
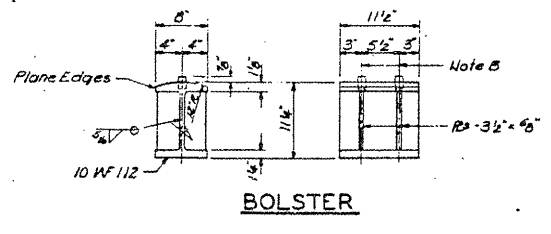
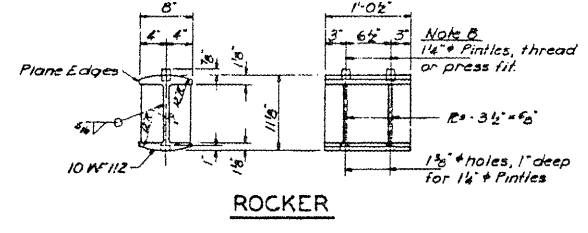
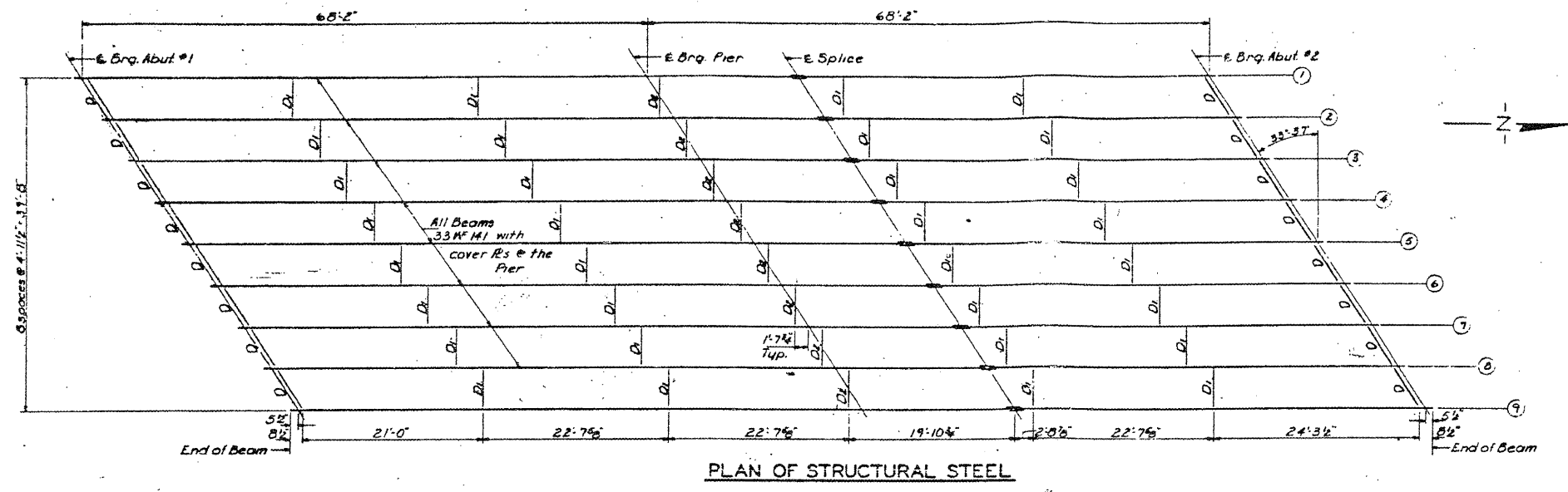
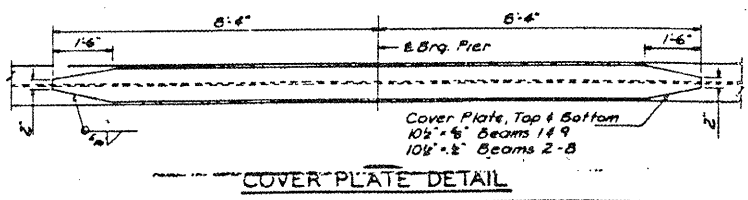
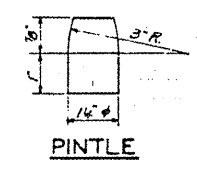


TABLE OF + DIMENSIONS

Pl.	Br.	1	2	3	4	5	6	7	8	9
E. Brq. Abut #1	-	8'	-	-	2'	3'	7'	-	1'	-
E. Brq. Pier	-	4'	-	2'	3'	7'	-	-	-	-
E. Brq. Abut #2	-	8'	-	-	2'	3'	7'	-	1'	-



DESIGNED: R.E.H.	EXAMINED: _____
CHECKED: M.J.R.	PLANNED: _____
DRAWN: D.J.M.	APPROVED: _____
CHECKED: M.J.R.	DATE: _____

STRUCTURAL STEEL
WEST LAKE DRIVE OVER FED. AID INTERSTATE
F.A.I. ROUTE 55 SEC. 84-3HB-3
SANGAMON COUNTY
STATION 127+51.53

FOR INFORMATION ONLY

EXISTING PLANS, SN 084-0092
VARIOUS ROUTES
D6REHAB BDGE PAINTING 2012
MENARD, SANGAMON COUNTIES