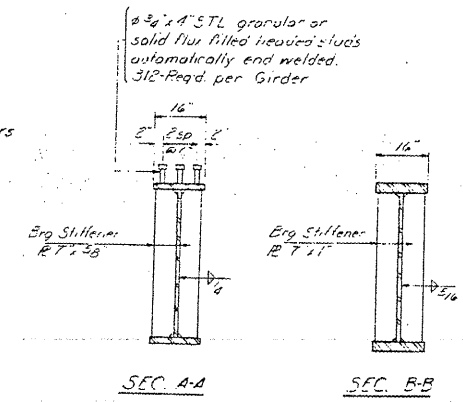
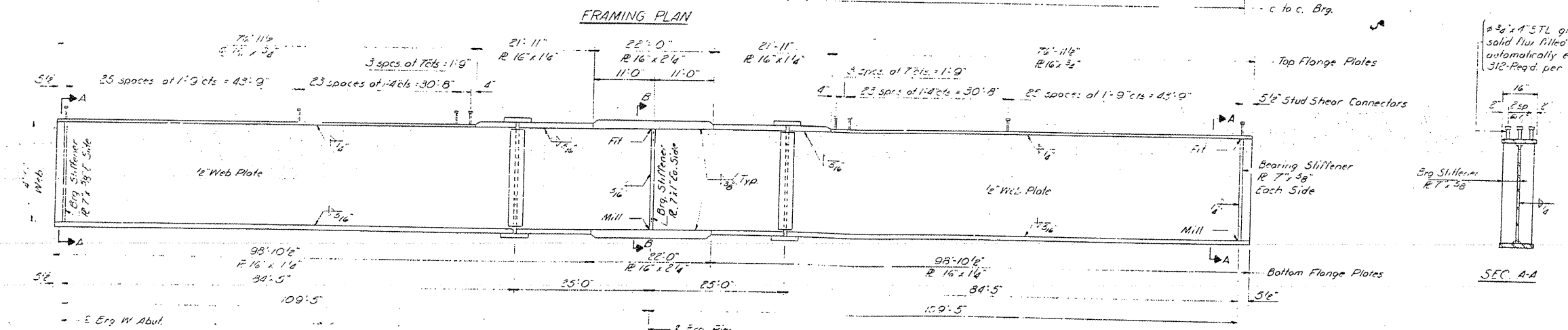
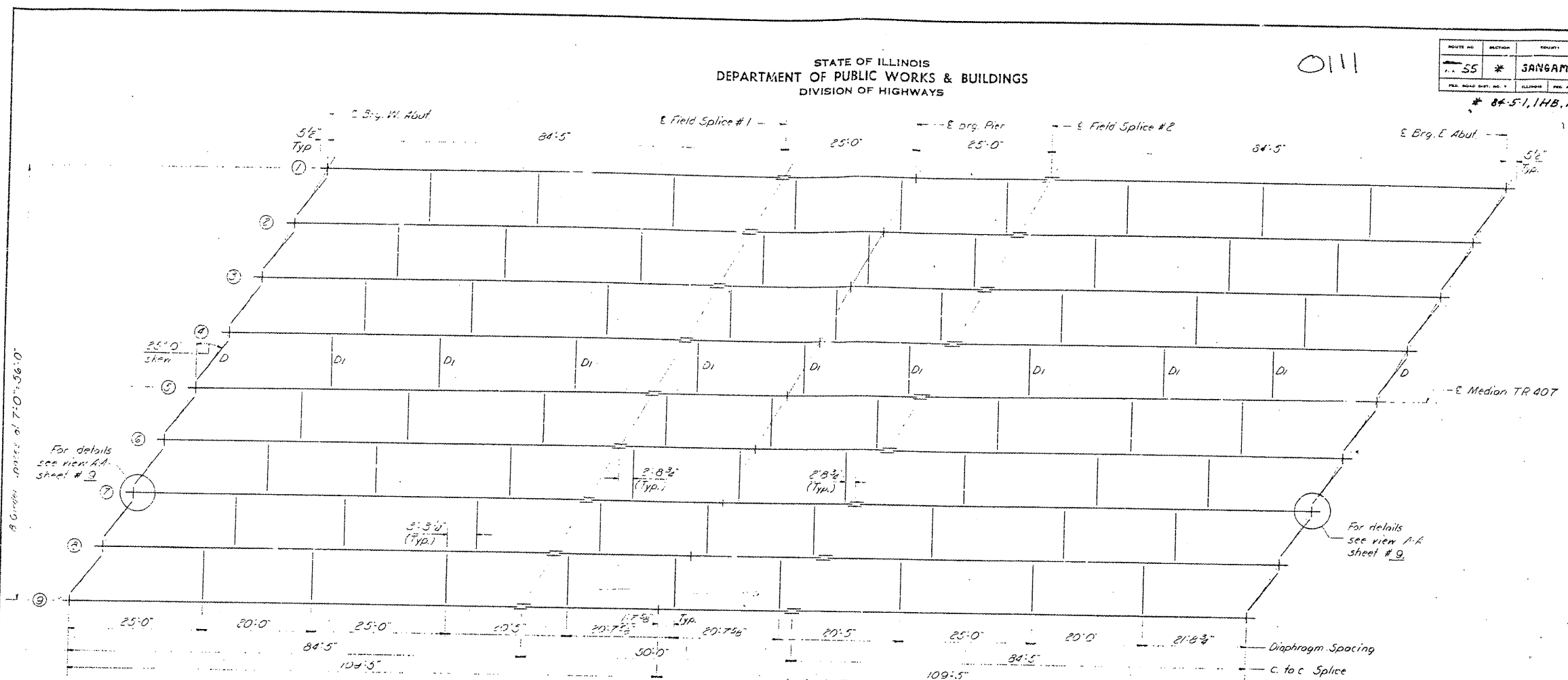


STATE OF ILLINOIS  
DEPARTMENT OF PUBLIC WORKS & BUILDINGS  
DIVISION OF HIGHWAYS

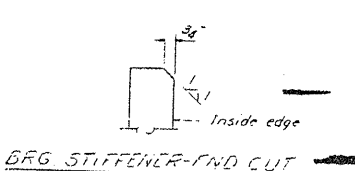
0111

ROUTE NO.	SECTION	PROJECT	SHEET NO.	SHEET NO. OF SHEETS
55	*	SANGAMON 460	1/3	1/6
* 84-5-1, IHB, IVHB				



DESIGNED: L. Cadar	EXAMINED: [Signature]
CHECKED: R.H. G.	PASSED: [Signature]
DRAWN: S.E. Lindsey	APPROVED: [Signature]
CHECKED: R.H. G.	

**GIRDER ELEVATION**  
Top & bottom of web shall be cut to camber curve, see sheet # 2.



STRUCTURAL STEEL  
FAT RT 55 SEC. 84-5-1HB  
SANGAMON COUNTY  
STA. 419 + 44.61

FOR INFORMATION ONLY

EXISTING PLANS, SN 084-0111  
VARIOUS ROUTES  
D6REHAB BDGE PAINTING 2012  
MENARD, SANGAMON COUNTIES