

W/OUT GUARDRAIL W/ GUARDRAIL

EXISTING TYPICAL SECTION

LOOKING WEST
 STA 399+50.00 TO STA 401+89.89
 BRIDGE OMISSION
 STA 403+70.11 TO STA 405+50.00

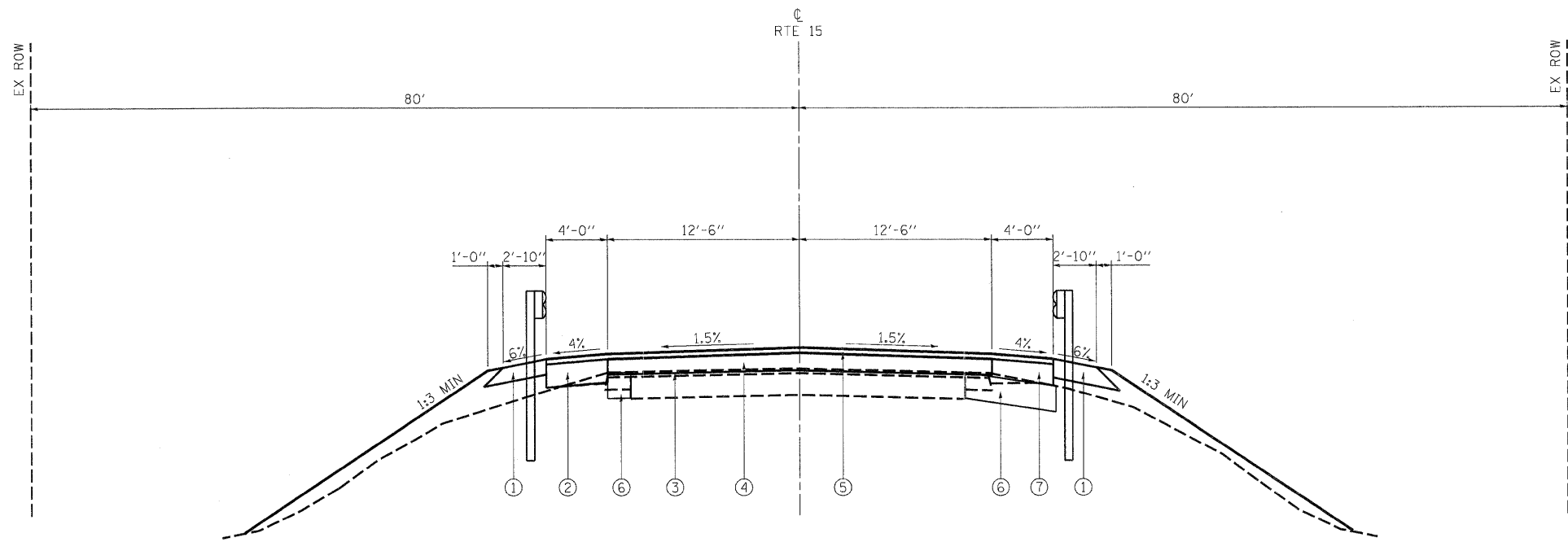
LEGEND

EXISTING

- (A) EX AGGREGATE SHOULDER, 6" (TYP)
- (B) STRIPING
- (C) EX CONCRETE PAVEMENT
- (D) EX ASPHALT SURFACE, 5 1/2" (TYP)
- (E) EX ASPHALT SHOULDER, 6"

PROPOSED

- ① HOT-MIX ASPHALT SHOULDERS, 8"
- ② HOT-MIX ASPHALT SHOULDERS, 10"
- ③ HOT-MIX ASPHALT SURFACE REMOVAL, 1/2"
- ④ HOT-MIX ASPHALT BINDER COURSE, IL-19.0, N-70
- ⑤ HOT-MIX ASPHALT SURFACE COURSE, MIX "C", N-70, 1 1/2"
- ⑥ PORTLAND CEMENT CONCRETE BASE COURSE WIDENING 10"
- ⑦ HOT-MIX ASPHALT SHOULDERS



PROPOSED TYPICAL SECTION

LOOKING WEST
 STA 399+50.00 TO STA 401+89.89
 BRIDGE OMISSION
 STA 403+70.11 TO STA 405+95.00
 HMA BASE COURSE WIDENING, 10" - STA 399+50.0 LT TO STA 400+85.6 LT & STA 404+29.8 LT TO STA 405+95.0 LT
 PCC BASE COURSE WIDENING, 10" - STA 399+50.0 RT TO STA 402+25.1 RT & STA 403+16.6 RT TO STA 405+95.0 RT
 HMA BINDER COURSE, VARIABLE DEPTH - STA 400+85.6 TO STA 401+90.7 & STA 403+69.7 TO STA 404+29.8

PRINTED DATE: 12/5/2011
 FILE NAME: I:\projects\11011\11011.dwg



USER NAME = #USER#	DESIGNED - JEH	REVISED -
PLOT SCALE = 5.0000" / IN.	DRAWN - JEH	REVISED -
PLOT DATE = 12/5/2011	CHECKED - DF	REVISED -
	DATE - 3-23-2011	REVISED -

**STATE OF ILLINOIS
 DEPARTMENT OF TRANSPORTATION**

**SN: 096-0074
 TYPICAL SECTIONS**

SCALE: N/A SHEET NO 1 OF 2 SHEETS

F.A.P. RTE	SECTION	COUNTY	TOTAL SHEETS	SHEET NO
823	(22.B2A)B-1 & (22.B2B)B-1	WAYNE	85	5
CONTRACT NO 74216				
ILLINOIS FEDERAL AID PROJECT				