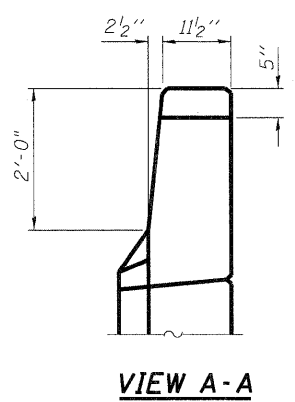
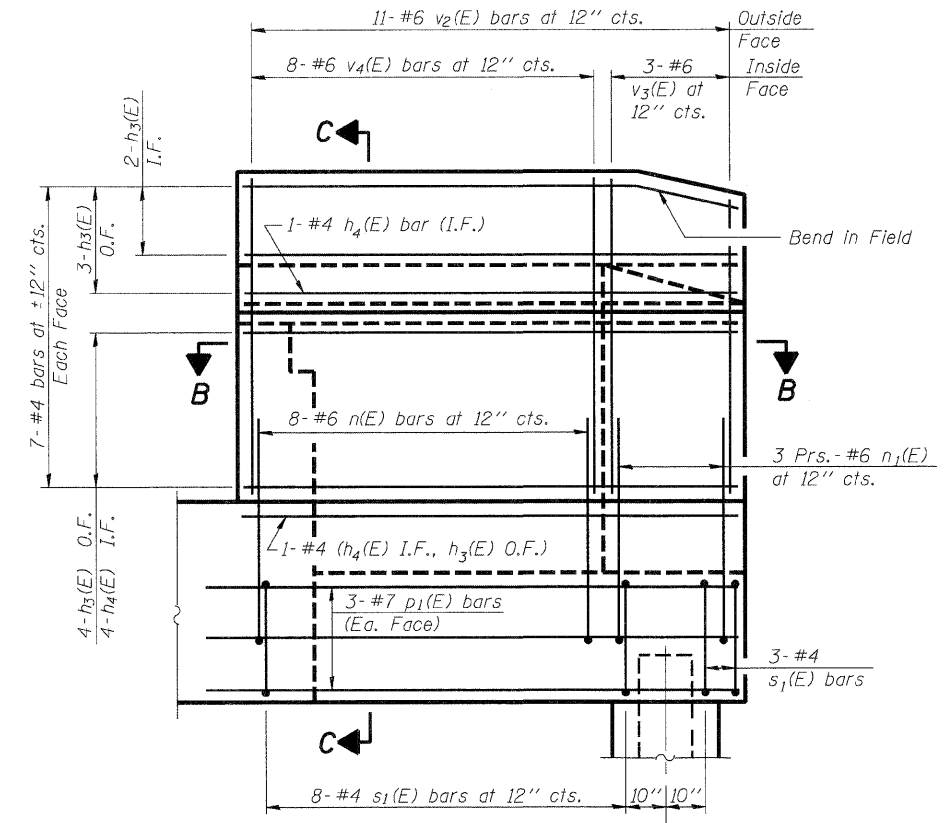


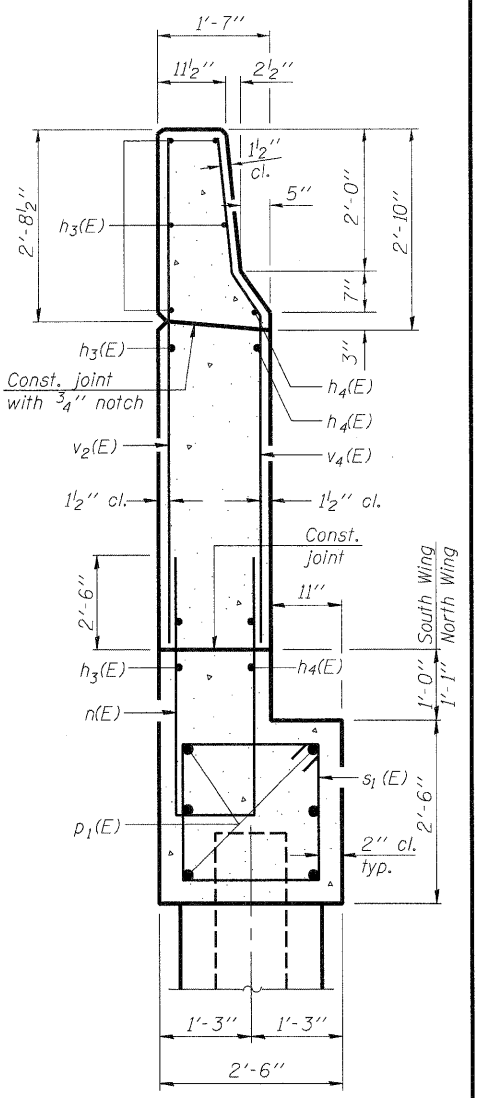
WING WALL ELEVATION
Showing Dimensions



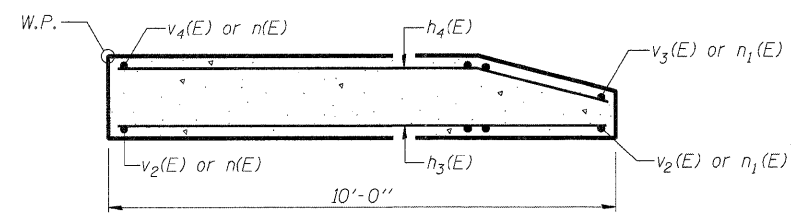
VIEW A-A



WING WALL ELEVATION
Showing Reinforcement

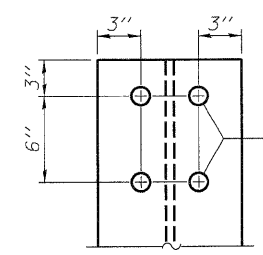


SECTION C-C

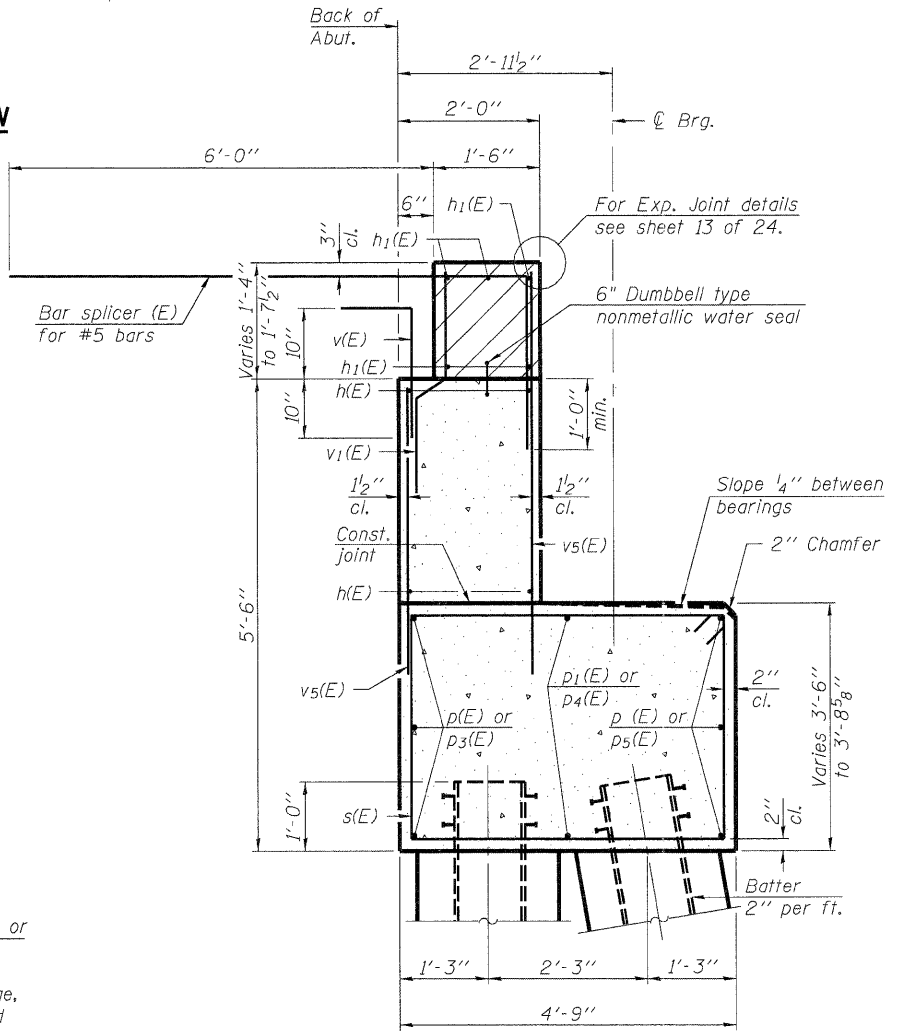


SECTION B-B

Notes:
Hatched area to be poured after superstructure false work has been removed. Quantity of concrete included with Concrete Superstructure. Space reinforcement in cap to miss anchor bolts. Pour steps monolithically with cap. Quantity of concrete in end post included with Concrete Superstructure on sheet 9 of 24. For Concrete Encasement details, see sheet 22 of 24.



TOP OF PILE



SEC. THRU ABUT.

PRINTED DATE: 12/15/2011
FILE NAME: F:\projects\drawings\sheet\34_006_AbutDet.dgn
DESIGNED: ADG
CHECKED: DF
DRAWN: ADG
CHECKED: DF

ESI CONSULTANTS, LTD
753 WINDSOR ROAD
CHARLESTON, IL 61920
(217) 348-1900
WWW.ESI-CONSULTANTS.LTD.COM
ILLINOIS DEPARTMENT OF PROFESSIONAL REGULATION REGISTRATION #194-009585

STATE OF ILLINOIS
DEPARTMENT OF TRANSPORTATION

ABUTMENT DETAILS
STRUCTURE NO. 096-0074
SHEET NO. 20 OF 24 SHEETS

F.A.P. RTE.	SECTION	COUNTY	TOTAL SHEETS	SHEET
823	(22,B2A)B-1 & (22,B2B)B-1	Wayne	85	34
CONTRACT NO. 74216			ILLINOIS FEDERAL AID PROJECT	