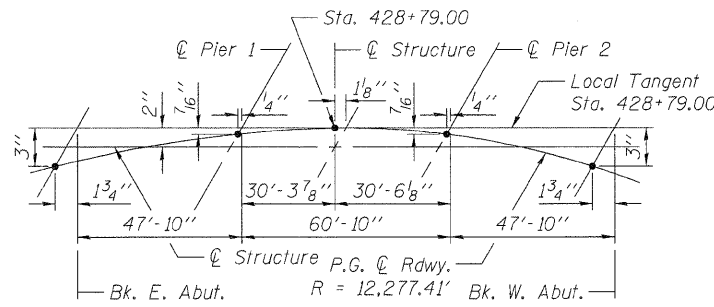


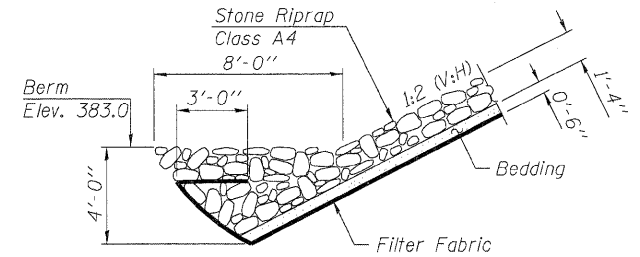
SECTION THRU INTEGRAL ABUTMENT
(Horiz. dim. @ Rt. L's)

*Included in the cost of Pipe Underdrains for Structures.

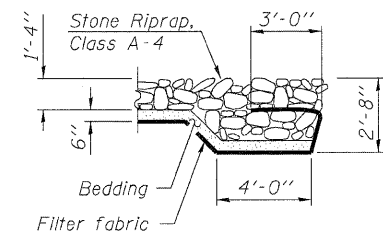
Note:
All drainage system components shall extend to 2'-0" from the end of each wingwall except an outlet pipe shall extend until intersecting with the side slopes. The pipes shall drain into concrete headwalls. (See Article 601.05 of the Standard Specifications and Highway Standard 60110).



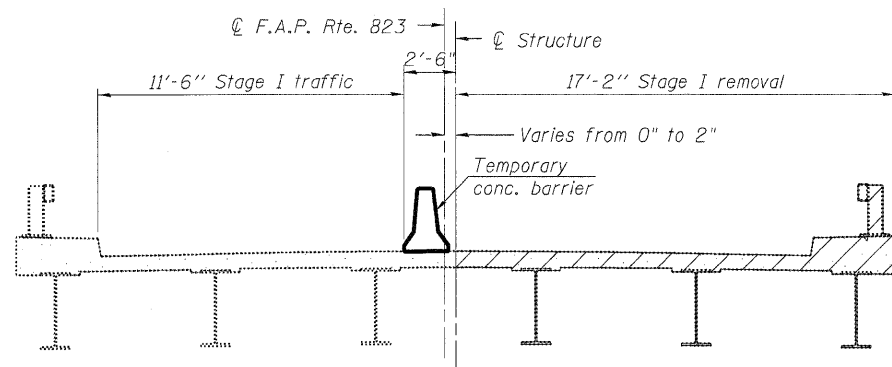
OFFSET SKETCH



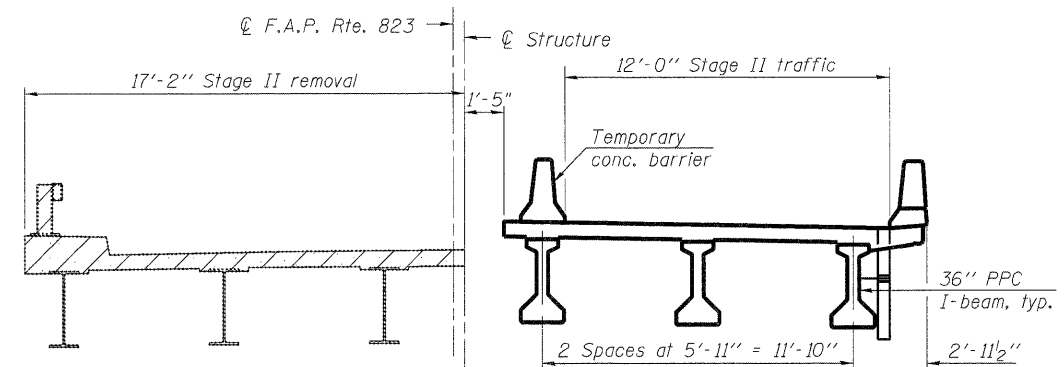
SECTION A-A



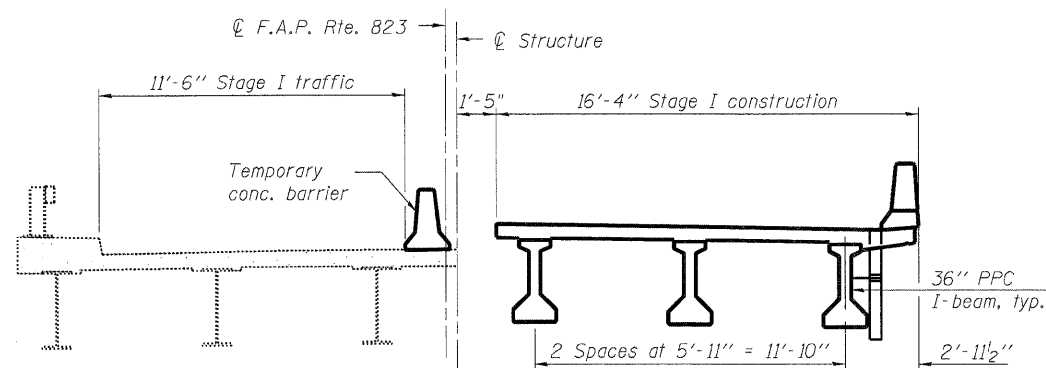
SECTION B-B



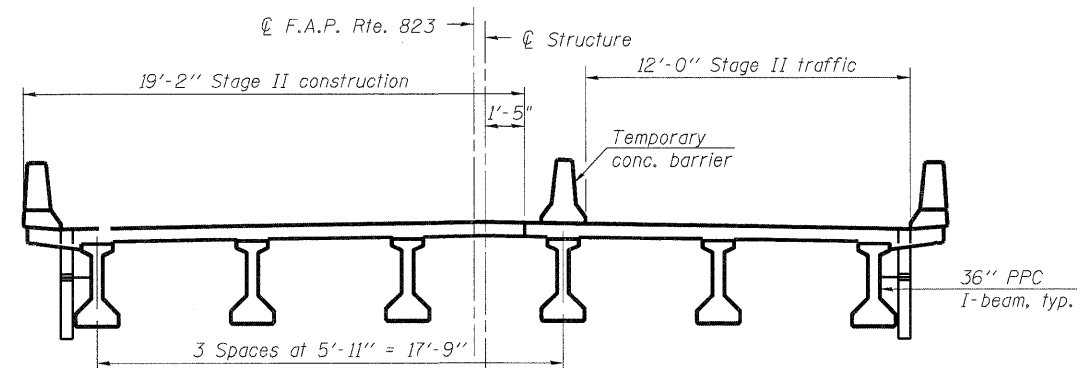
STAGE I REMOVAL
(Looking East)



STAGE II REMOVAL
(Looking East)



STAGE I CONSTRUCTION
(Looking East)



STAGE II CONSTRUCTION
(Looking East)

(Sheet 1 of 2)

PRINTED DATE: 12/05/2011
FILE NAME: r:\projects\148\148.dwg
DESIGNER: ADG
CHECKER: DF
DRAWN: ADG
CHECKED: DF

DESIGNED	-	ADG
CHECKED	-	DF
DRAWN	-	ADG
CHECKED	-	DF

ESI CONSULTANTS, LTD
753 WINDSOR ROAD
CHARLESTON, IL 61920
(617) 348-1900
WWW.ESICONSULTANTS.LTD.COM
ILLINOIS DEPARTMENT OF PROFESSIONAL REGULATION REGISTRATION #164-003685

STATE OF ILLINOIS
DEPARTMENT OF TRANSPORTATION

GENERAL DATA & DETAILS	
STAGE CONSTRUCTION	STRUCTURE NO. 096-0073
SHEET NO. 2 OF 24 SHEETS	

F.A.P. RTE.	SECTION	COUNTY	TOTAL SHEETS	SHEET NO.
823	(22,B2A)B-1 & (22,B2B)B-1	Wayne	85	57
CONTRACT NO 74216			ILLINOIS FEDERAL AID PROJECT	