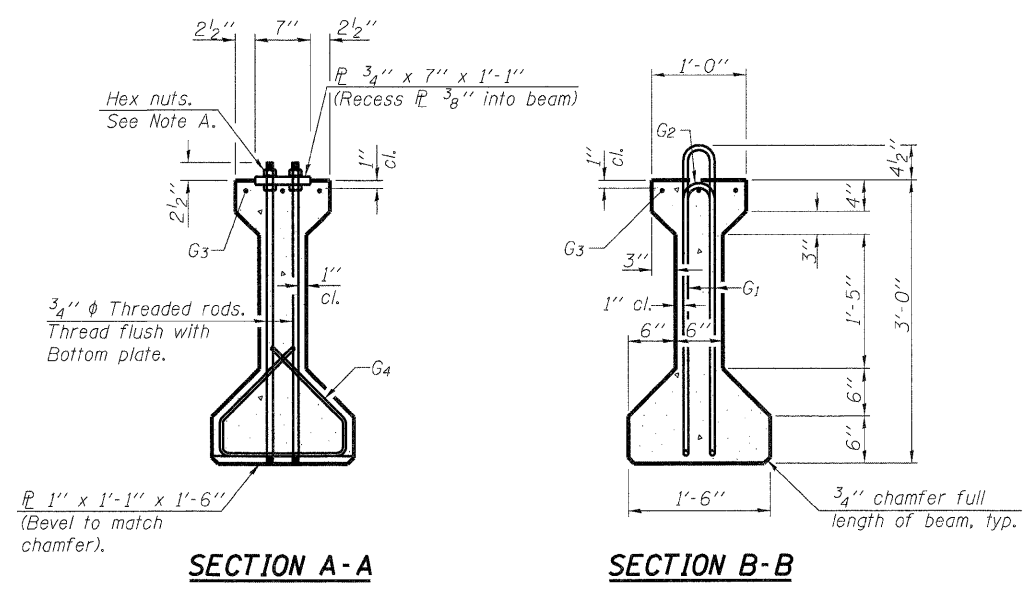


ELEVATION OF BEAM
(Showing reinforcement & dimensions)

* 3 spaces at 3" = 9".
** 4-3/4" φ threaded dowel rods at 3" cts., Each Face

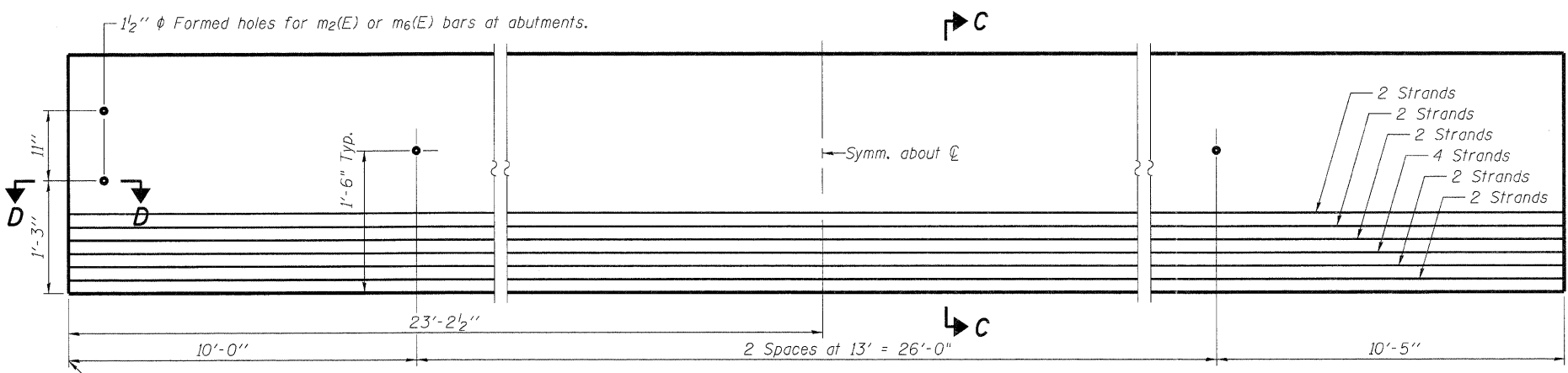
2-#8 G6 bar assembly with threaded coupler splice at pier only. (See sheet 17 of 24 for details).

Note A:
Hex nuts (top and bottom) with lock washers (top). Only tighten sufficiently to compress lock washers.

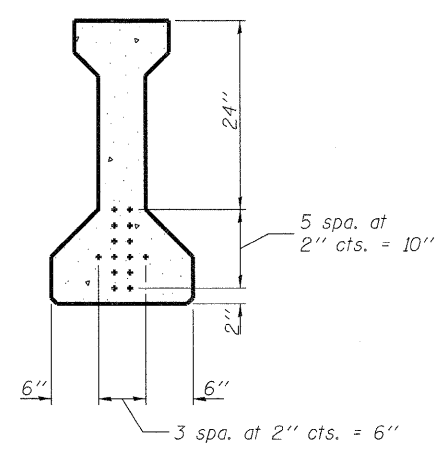


SECTION A-A

SECTION B-B



ELEVATION OF BEAM
(Showing prestressing steel)

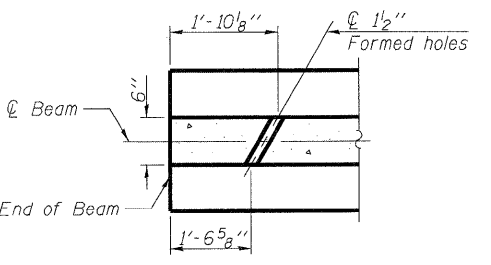


SECTION C-C

*****BAR LIST
ONE BEAM ONLY**

Bar	No.	Size	Length	Shape
G1	76	#4	7'-5"	⌒
G2	76	#4	5'-8"	⌒
G3	6	#5	24'-3"	—
G4	38	#3	4'-1"	⌒
G6	2	#8	6'-6"	⌒

***For information only
Notes:
See sheet 17 of 24 for additional details and Bill of Material.
Required release strength, f'ci, shall be 5000 psi.



SECTION D-D

PRINTED DATE: 12/5/2011 FILE NAME: r:\projects\design\work\order_05\CADD\Drawings\Sheets\72_005_Beam.dgn

PI-4-36

7-1-10

DESIGNED	- SMA
CHECKED	- DF
DRAWN	- ADG
CHECKED	- DF

ESI CONSULTANTS, LTD
725 WINDSOR ROAD
CHARLESTON, IL 61920
(217) 348-1900
WWW.ESI-CONSULTANTS.LTD.COM
ILLINOIS DEPARTMENT OF PROFESSIONAL REGULATION REGISTRATION #184-003685

STATE OF ILLINOIS
DEPARTMENT OF TRANSPORTATION

36" PPC I-BEAM (SPANS 1 & 3)
STRUCTURE NO. 096-0073

SHEET NO. 15 OF 24 SHEETS

F.A.P. RTE	SECTION	COUNTY	TOTAL SHEETS	SHEET NO
823	(22,B2A)B-1 & (22,B2B)B-1	Wayne	85	70
CONTRACT NO 74216				
ILLINOIS FEDERAL AID PROJECT				