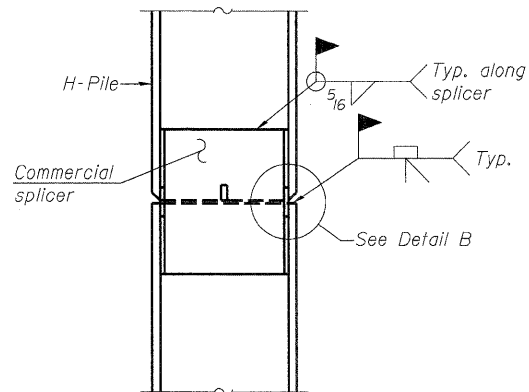
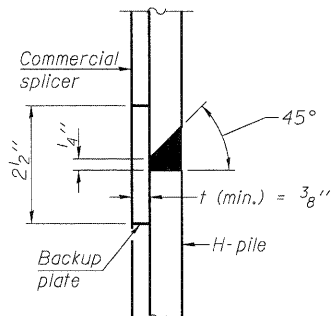


**STEEL PILE TABLE**

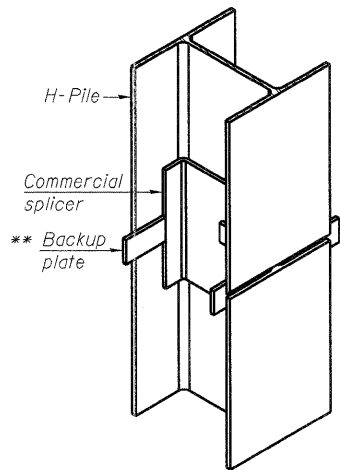
Designation	Depth d	Flange width br	Web and Flange thickness t	Encasement diameter A
HP 14x117	14 1/4"	14 7/8"	13/16"	30"
x102	14"	14 3/4"	1/16"	30"
x89	13 7/8"	14 3/4"	5/8"	30"
x73	13 5/8"	14 5/8"	1/2"	30"
HP 12x84	12 1/4"	12 1/4"	1/16"	24"
x74	12 1/8"	12 1/4"	5/8"	24"
x63	12"	12 1/8"	1/2"	24"
x53	11 3/4"	12"	7/16"	24"
HP 10x57	10"	10 1/4"	9/16"	24"
x42	9 3/4"	10 1/8"	7/16"	24"
HP 8x36	8"	8 1/8"	7/16"	18"



**ELEVATION**

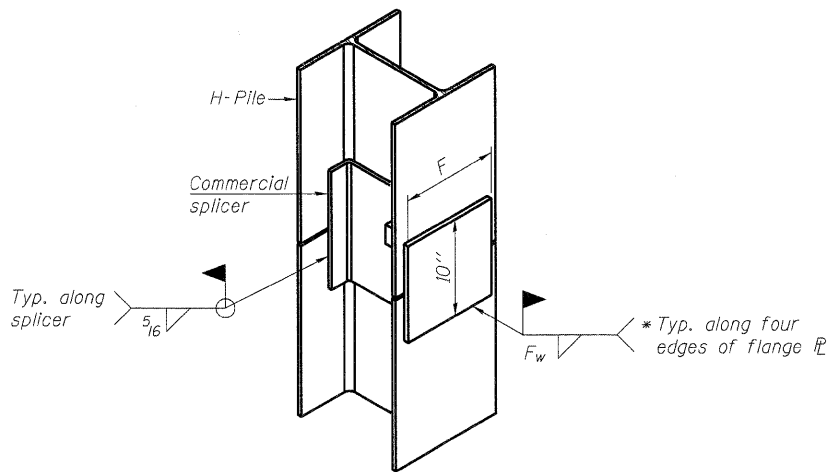


**DETAIL "B"**



**ISOMETRIC VIEW**

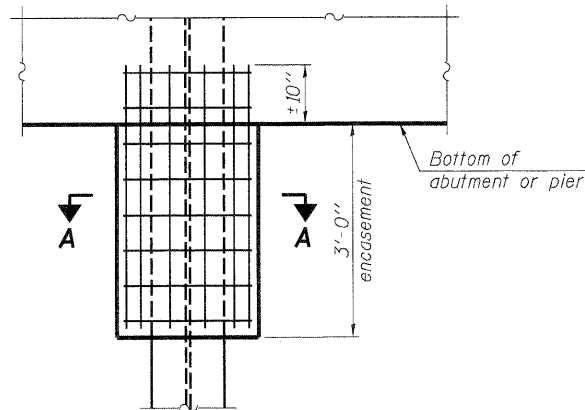
**WELDED COMMERCIAL SPLICE**



**ISOMETRIC VIEW**

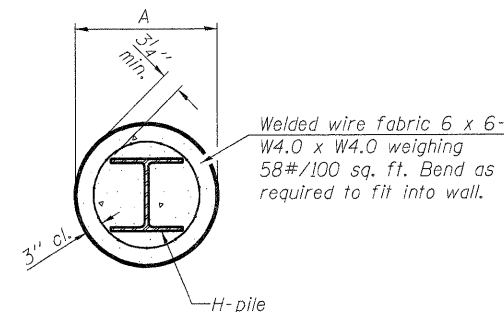
**WELDED COMMERCIAL SPLICE ALTERNATE**

- \* Interrupt welds 1/4" from end of web and/or each flange.
- \*\* Remove portions of backup plates that extend outside the flanges.
- \*\*\* Weld size per pile shoe manufacturer (5/16" min.).



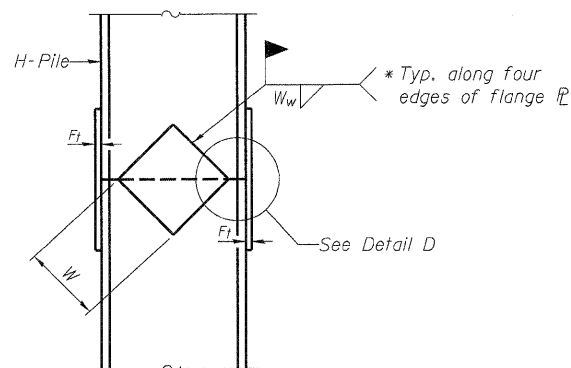
**ELEVATION**

**PILE ENCASEMENT**

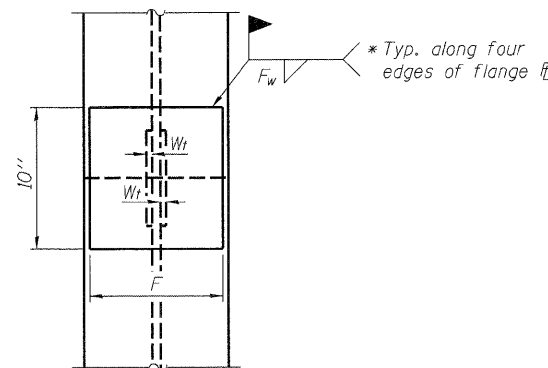


**SECTION A-A**

Note:  
Forms for encasement may be omitted when soil conditions permit.

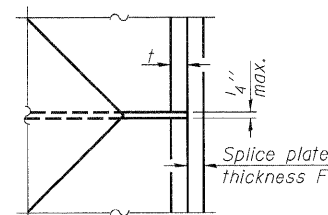


**ELEVATION**



**END VIEW**

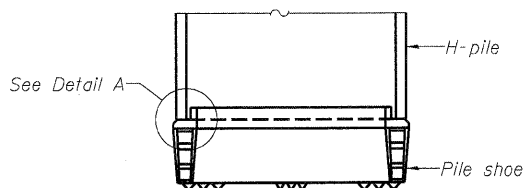
Designation	F	F <sub>t</sub>	F <sub>w</sub>	W	W <sub>t</sub>	W <sub>w</sub>
HP 14x117	12 1/2"	1"	7/8"	7 3/4"	5/8"	1/2"
x102	12 1/2"	7/8"	3/4"	7 3/4"	5/8"	1/2"
x89	12 1/2"	3/4"	1/16"	7 3/4"	5/8"	1/2"
x73	12 1/2"	5/8"	9/16"	7 3/4"	5/8"	1/2"
HP 12x84	10"	7/8"	1/16"	6 1/2"	5/8"	1/2"
x74	10"	7/8"	1/16"	6 1/2"	5/8"	1/2"
x63	10"	5/8"	1/2"	6 1/2"	1/2"	3/8"
x53	10"	5/8"	1/2"	6 1/2"	1/2"	3/8"
HP 10x57	8"	3/4"	9/16"	5 1/4"	1/2"	3/8"
x42	8"	5/8"	9/16"	5 1/4"	1/2"	3/8"
HP 8x36	7"	5/8"	7/16"	4 1/4"	1/2"	3/8"



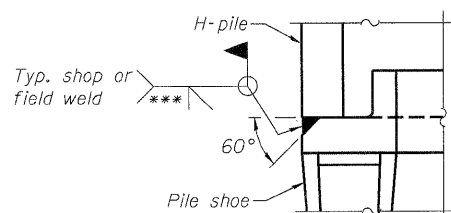
**DETAIL D**

**WELDED PLATE FIELD SPLICE**

Note:  
The steel H-piles shall be according to AASHTO M270 Grade 50.



**ELEVATION**



**DETAIL A**

**H-PILE SHOE ATTACHMENT**

PRINTED DATE: 12/16/2011  
 FILE NAME: m:\projects\auto\p148\148\_148\_25 - d7 various design\Work Order 095\CAD\Drawings\Sheets\76\_W05\_PileDetail.dgn

**F-HP** 7-1-10

DESIGNED	-	ADG
CHECKED	-	DF
DRAWN	-	ADG
CHECKED	-	DF

**ESI** ESI CONSULTANTS, LTD  
 755 WINDSOR ROAD  
 CHARLESTON, IL 61920  
 (217) 346-1800  
 WWW.ESICONCONSULTANTS.LTD.COM  
 ILLINOIS DEPARTMENT OF PROFESSIONAL REGULATION REGISTRATION #184-002685

STATE OF ILLINOIS  
 DEPARTMENT OF TRANSPORTATION

HP PILE DETAILS  
 STRUCTURE NO. 096-0073

SHEET NO. 21 OF 24 SHEETS

F.A.P. RTE	SECTION	COUNTY	TOTAL SHEETS	SHEET NO
823	(22.B2A)B-1 & (22.B2B)B-1	Wayne	85	76
CONTRACT NO 74216				
ILLINOIS FEDERAL AID PROJECT				