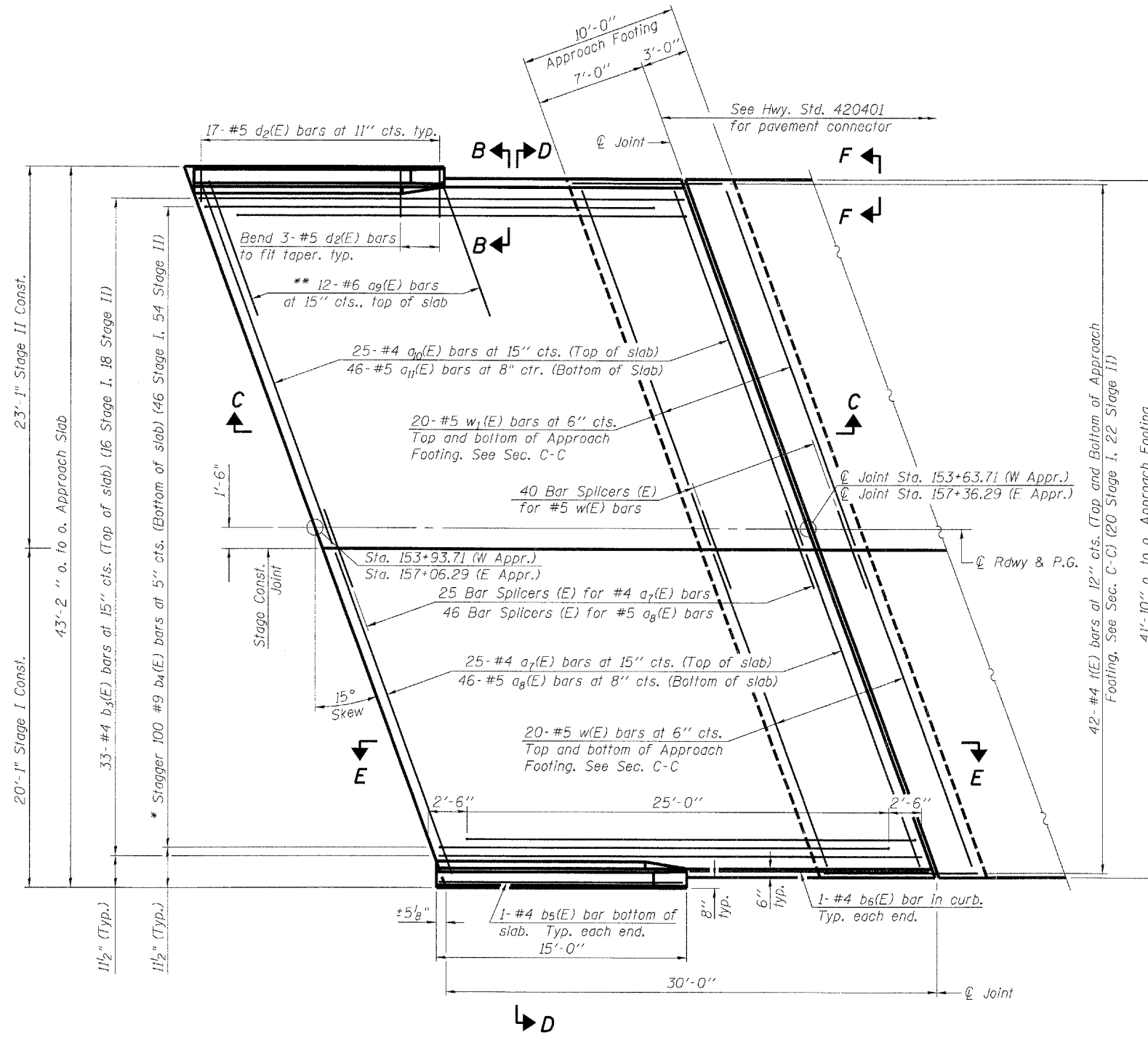


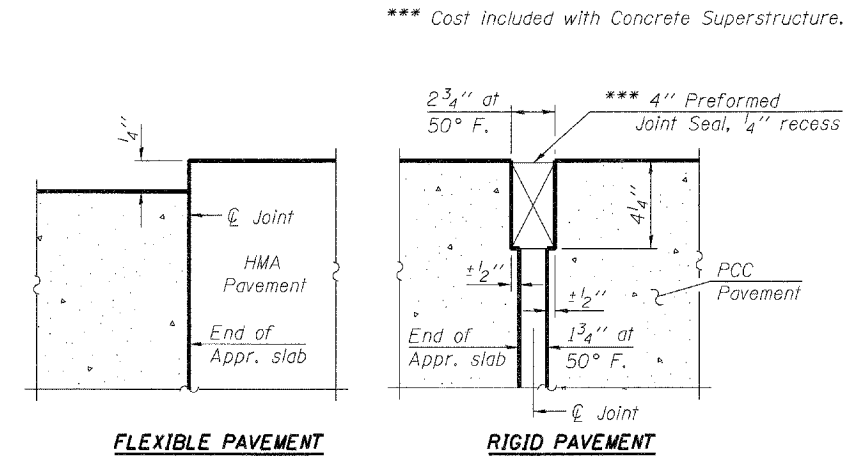
Notes:
See sheet 13 of 24 for Sections C-C & D-D and View E-E.
 $a_7(E)$, $a_8(E)$, $a_9(E)$ and $a_{11}(E)$ bar spacings measured along C Rdwy.



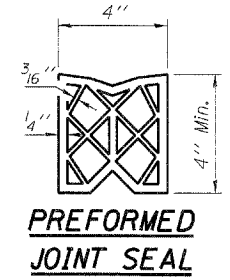
PLAN

(East Abutment, West Abutment Similar)

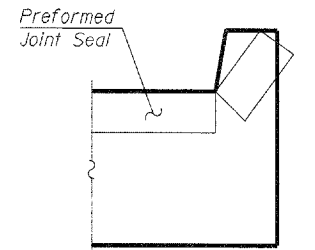
* Tilt #9 $b_4(E)$ bars as required to maintain clearance.
** Space between $a_7(E)$ bars, typ. each parapet.



DETAIL A

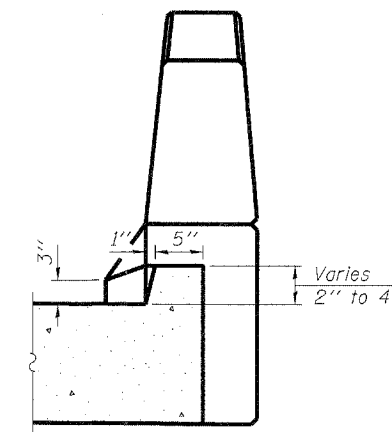


PREFORMED JOINT SEAL



VIEW F-F

Angle Preformed Joint Seal at 45° at curbs when req'd for drainage.



VIEW B-B

(Sheet 1 of 2)

**STATE OF ILLINOIS
DEPARTMENT OF TRANSPORTATION**

**BRIDGE APPROACH SLAB DETAILS
STRUCTURE NO. 015-0075**

SHEET NO. 12 OF 24 SHEETS

F.A.P. RTE.	SECTION	COUNTY	TOTAL SHEETS	SHEET NO.
91	(58R)B-1	COLES	91	47
CONTRACT NO. 74244				

FED. ROAD DIST. NO. - ILLINOIS FED. AID PROJECT

PRINTED DATE: 5/11/2011
FILE NAME: c:\projects\10151015\10151015.dwg
PLOT DATE: 5/11/2011



DESIGNED - DF	REVISED -
CHECKED - ADG, SA	REVISED -
DRAWN - ADG	REVISED -
CHECKED - DF	REVISED -