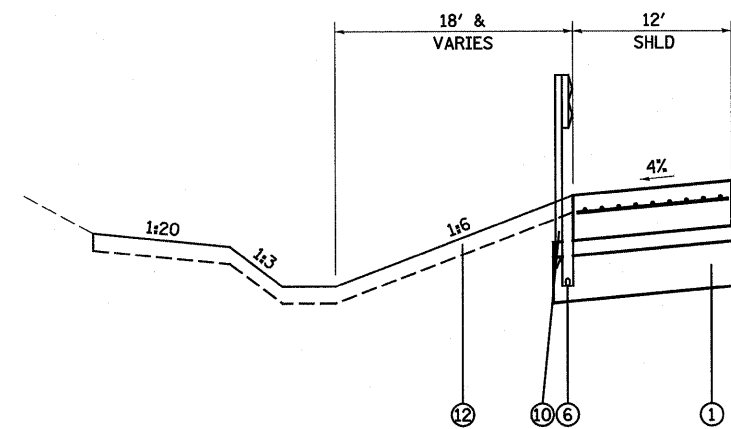


PROPOSED MAINLINE TANGENT SECTION

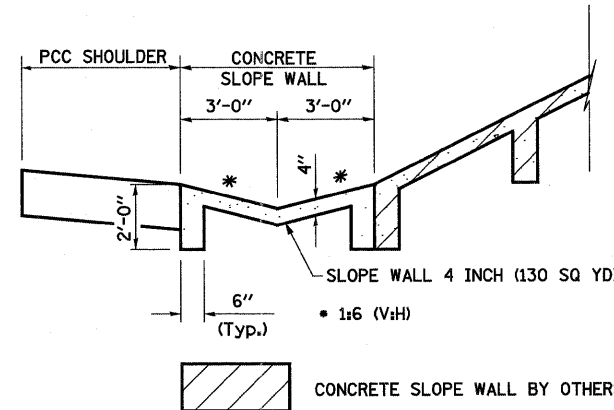
STA 2136+83.15 TO STA 2155+46.46 (FAI RTE 57/70)

⑬ PROPOSED PROCESSING MODIFIED SOIL 24"
STARTS STA 2146+00.00 AND ENDS
STA 2155+00.00

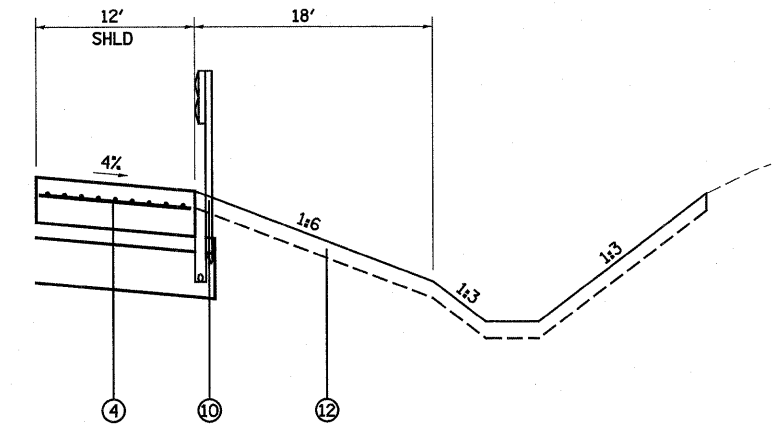
- ① SHOULDER VARIES 11', LT STA 2152+99.65 TO 6', STA 2155+77.64
- ② RAMP RECOVERY AREA VARIES, 1' STUB, LT STA 2152+99.65 TO 5.52', STA 2155+46.46



TYPICAL GUARD RAIL APPLICATION LT



TYPICAL SLOPE WALL APPLICATION
LT STA 2145+77.60 TO STA 2146+74.08
RT STA 2146+09.35 TO STA 2147+05.03



TYPICAL GUARD RAIL APPLICATION RT

LEGEND

- ① PROPOSED PROCESSING MODIFIED SOIL 12"
 - ② PROPOSED STABILIZED SUB-BASE 4"
 - ③ PROPOSED CONTINUOUSLY REINFORCED PCC PAVEMENT 13"
 - ④ PROPOSED PAVEMENT REINFORCEMENT 13"
 - ⑤ PROPOSED AGGREGATE SHOULDERS, TYPE B 6"
 - ⑥ PROPOSED PIPE UNDERDRAINS 6"
 - ⑦ PROPOSED PORTLAND CEMENT CONCRETE SHOULDERS 13"
 - ⑧ PROPOSED COMBINATION CONCRETE CURB & GUTTER, TYPE B-6.24
 - ⑨ PROPOSED CONCRETE BARRIER, DOUBLE FACE, 42 INCH HEIGHT
 - ⑩ PROPOSED STEEL PLATE BEAM GUARD RAIL, TYPE A
 - ⑪ PROPOSED STORM SEWERS, CLASS A
 - ⑫ PROPOSED TOPSOIL 4"
 - ⑬ PROPOSED PCC PAVEMENT 10 1/4" (JOINTED)
 - ⑭ PROPOSED PCC PAVEMENT 10 1/2" (JOINTED)
 - ⑮ PROPOSED PAVEMENT FABRIC
 - ⑯ PROPOSED CONCRETE BARRIER BASE
 - ⑰ PROPOSED PIPE UNDERDRAINS 4"
 - ⑱ PROPOSED PORTLAND CEMENT CONCRETE SIDEWALK 4"
 - ⑲ PROPOSED AGGREGATE BASE COURSE, TYPE B, 8"
 - ⑲ PROPOSED AGGREGATE SHOULDER TYPE B
 - ⑲ PROPOSED PROCESSING MODIFIED SOIL 24"
- SEE LEGEND NOS. ③-④ FOR PAVEMENT COMPOSITION OF SHOULDERS AND DRIVING LANES

NOTES
PROPOSED SIDE SLOPES/DITCHES
VARY - SEE CROSS SECTIONS

LIMITS OF PROPOSED TOPSOIL
VARIES - SEE CROSS SECTIONS

FILE NAME =	USER NAME = paul	DESIGNED - JWS	REVISED - 4-27-11	STATE OF ILLINOIS DEPARTMENT OF TRANSPORTATION	PROPOSED TYPICAL SECTIONS - I-57/70			F.A.I. RTE. 57/70	SECTION (25-3,4)R	COUNTY EFFINGHAM	TOTAL SHEETS 1098	SHEET NO. 18
#FILEL#	PLOT SCALE = 100.0000' / IN.	DRAWN - RCB	REVISED -		SCALE: 1"=50'	SHEET NO. 5 OF 17 SHEETS	STA. 2136+83.15 TO STA. 2155+46.46	CONTRACT NO. 74299				
	PLOT DATE = 4/28/2011	CHECKED - BRM	REVISED -									
		DATE - 6-12-08	REVISED -									