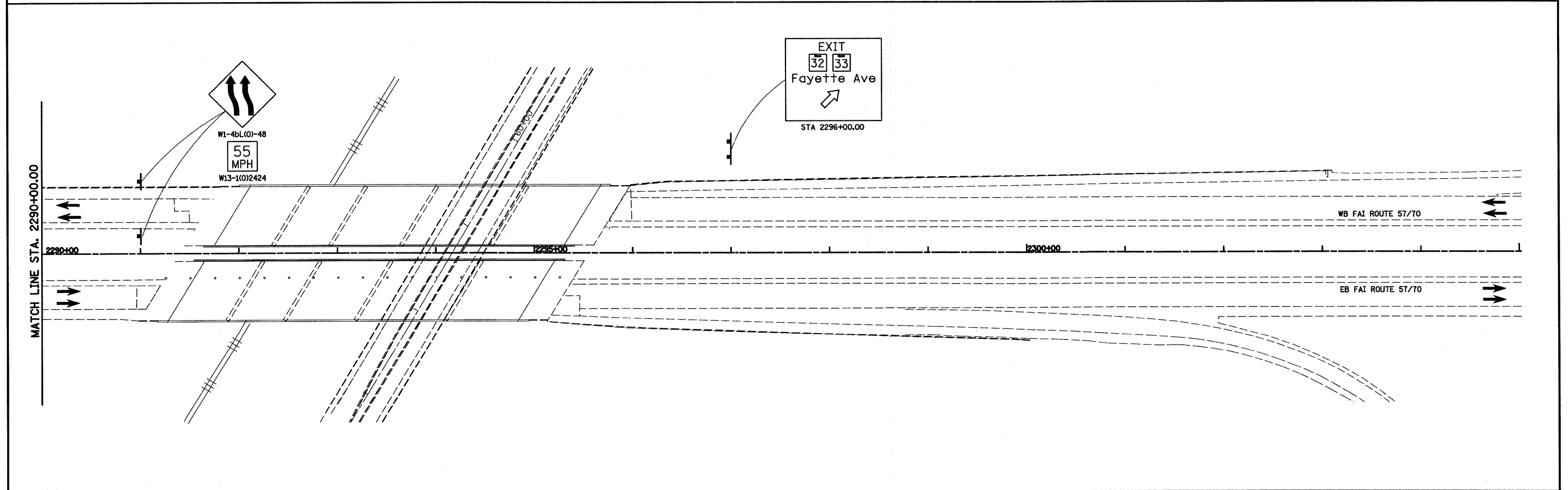


NOTES: PRE-STAGE 2A

1. SHIFT ALL TRAFFIC EXITING AT FAYETTE AVE OR IL 32 & IL 33 TO FAR RIGHT LANE. SHIFT REMAINING THROUGH FAI 57/70 TRAFFIC TO NEWLY CONSTRUCTED INSIDE SHOULDER AND PAVEMENT.
2. CONSTRUCT PAVEMENT AND TEMPORARY PAVEMENT AT EACH RAMP TERMINAL AS INDICATED.



FILE NAME =	USER NAME = paul	DESIGNED - ESW	REVISED - 4-27-11	STATE OF ILLINOIS DEPARTMENT OF TRANSPORTATION	MAINTENANCE OF TRAFFIC, PRE-STAGE 2A, FAI ROUTE 57/70	F.A. RTE.	SECTION	COUNTY	TOTAL SHEETS	SHEET NO.	
S:\Projects\403-00072-51-70\dm\ML_Keller\Misc_Revs	23-20\user1_P52a.dgn	DRAWN - PDB	REVISED -			57/70	(25-3,4)R	EFFEINGHAM	1098	120	
PLOT SCALE = 1/8"=1'-0"	CHECKED - BRM	REVISIED -	REVISIED -			CONTRACT NO. 74299					
PLOT DATE = 4/28/2011	DATE - 5-07-08	REVISIED -	REVISIED -			SCALE: 1"=50'	SHEET NO. 10 OF 14 SHEETS	STA. 2275+00.00 TO STA. 2290+00.00	FED. ROAD DIST. NO.	ILLINOIS FED. AID PROJECT	