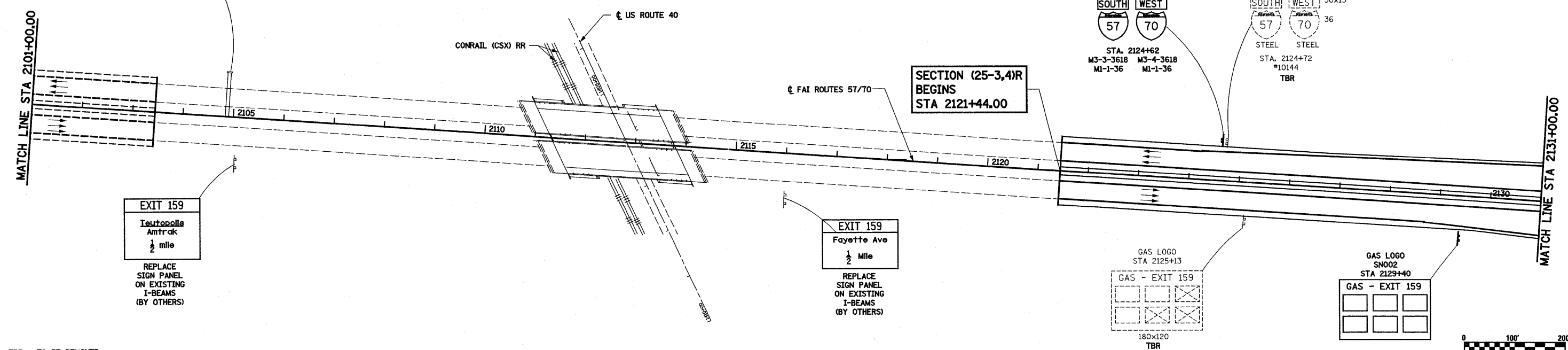
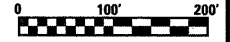


REPLACE SIGN PANEL ON EXISTING TRUSS (BY OTHERS)



TBR = TO BE REMOVED



FILE NAME = S:\projects\05-0007257-70\dwg\W_Miller\signing.dgn	USER NAME = bseibel	DESIGNED - JWS	REVISED -	STATE OF ILLINOIS DEPARTMENT OF TRANSPORTATION	GUIDE SIGNING PLAN		F.A.I. RTE. 57/70	SECTION (25-3,4) R	COUNTY EFFINGHAM	TOTAL SHEETS 1098	SHEET NO. 244
PLOT SCALE = 2000.0000' / IN.	CHECKED - BRM	DATE - 6-15-09	REVISIONS		SCALE: 1"=100'	SHEET NO. 2 OF 49 SHEETS	STA. 2103+00.00 TO STA. 2131+00.00	FED. ROAD DIST. NO.	(ILLINOIS) FED. AID PROJECT	CONTRACT NO. 74299	