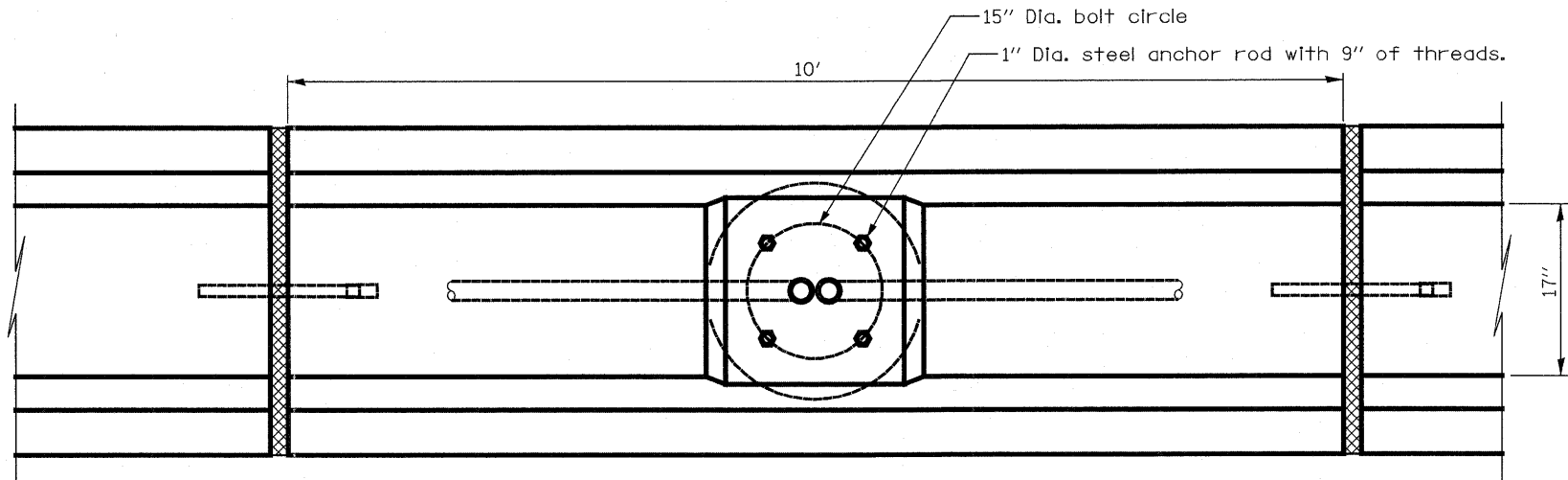
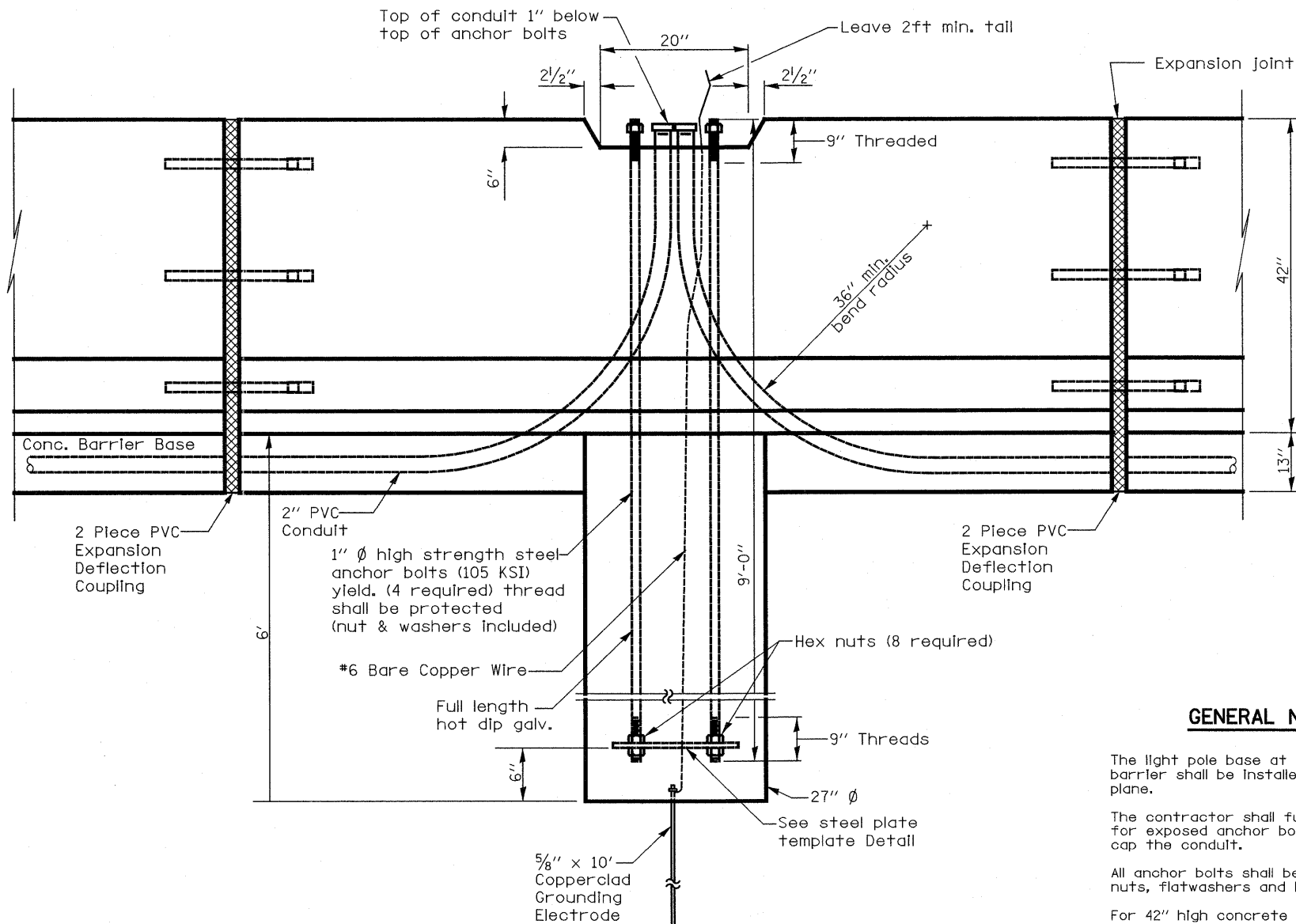


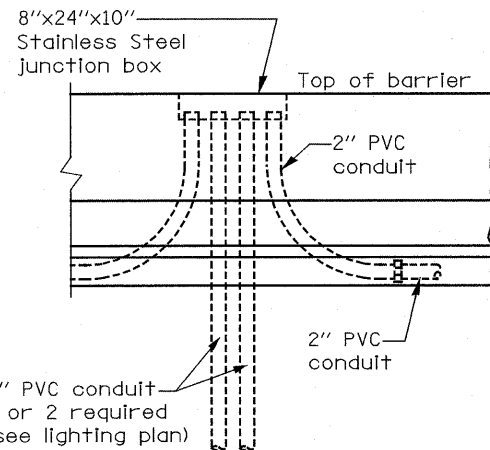
**TEMPLATE DETAIL**



**PLAN AT LIGHTING FOUNDATION**



**ELEVATION AT LIGHTING FOUNDATION**



**JUNCTION BOX ELEVATION**

**GENERAL NOTES**

The light pole base at the top of the barrier shall be installed level in a horizontal plane.  
 The contractor shall furnish protection for exposed anchor bolt threads and cap the conduit.  
 All anchor bolts shall be supplied with nuts, flatwashers and lockwashers.  
 For 42" high concrete barrier details see Highway Standard 637006

FILE NAME =	USER NAME = paul	DESIGNED - VG	REVISED -	<b>STATE OF ILLINOIS DEPARTMENT OF TRANSPORTATION</b>	<b>POLE MOUNTING ON CONCRETE BARRIER</b>			F.A.I. RTE.	SECTION	COUNTY	TOTAL SHEETS	SHEET NO.
SVR\Projects\403-00072-57-70\dgn\ML_Keller_Lighting_det.dgn		DRAWN - PDB	REVISED -					57/70	(25-3,4)R	EFFINGHAM	1098	322
PLOT SCALE = 40,0000' / IN.		CHECKED - BRM	REVISED -		SCALE: SHEET NO. 24 OF 34 SHEETS STA. TO STA.			CONTRACT NO. 74299				
PLOT DATE = 3/18/2011		DATE - 8-5-10	REVISED -		FED. ROAD DIST. NO. ILLINOIS FED. AID PROJECT							